

STATE OF ILLINOIS
DEPARTMENT OF TRANSPORTATION
76'-0"

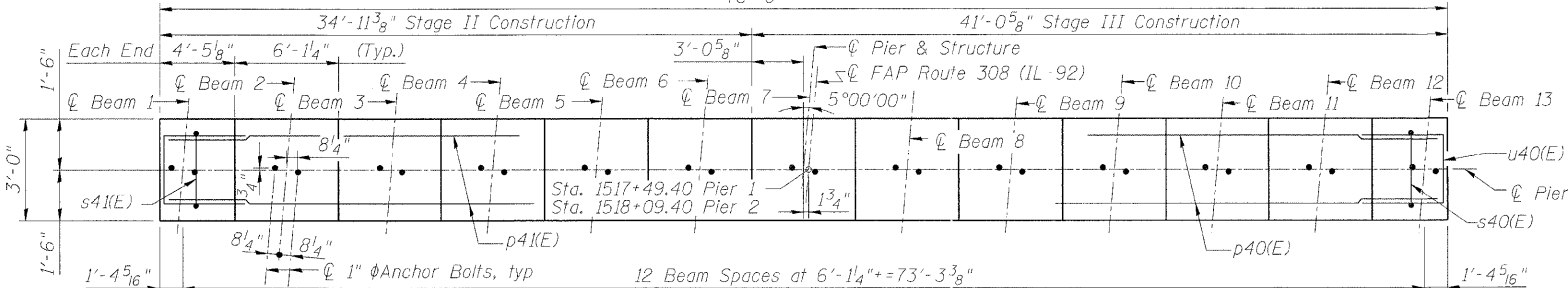
ROUTE NO.	SECTION	COUNTY	SHEETS	SHEET NO.
F.A.P. 308	*	ROCK ISLAND	210	167
SHEET NO. 20				
28 SHEETS				

Contract #64814 * I(HB,HB-1,VB,HB-2)R

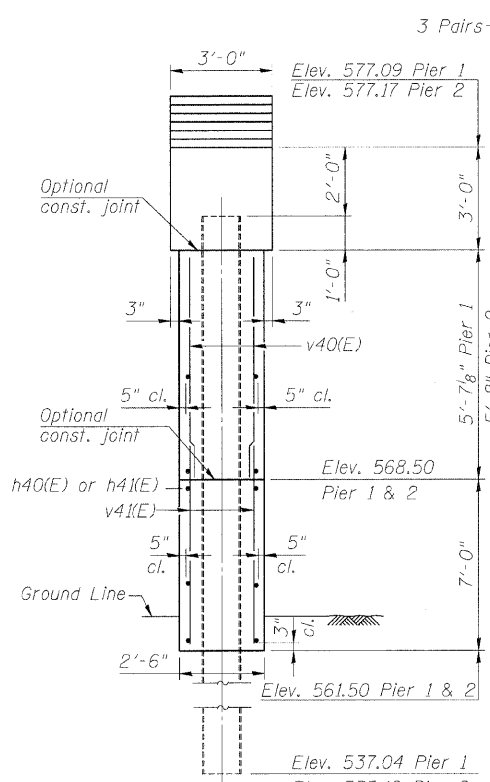
- NOTES:**
1. Space reinforcement in cap to miss anchor bolts.
 2. Pour steps monolithically with cap.
 3. For details of piles, see Sheet No. 21
 4. For Pier enhancements see Sheet No. 24
 5. Concrete sealer shall be applied to all exposed surfaces of piers
 6. For details of bar splicers see Sheet No. 22

PILE DATA

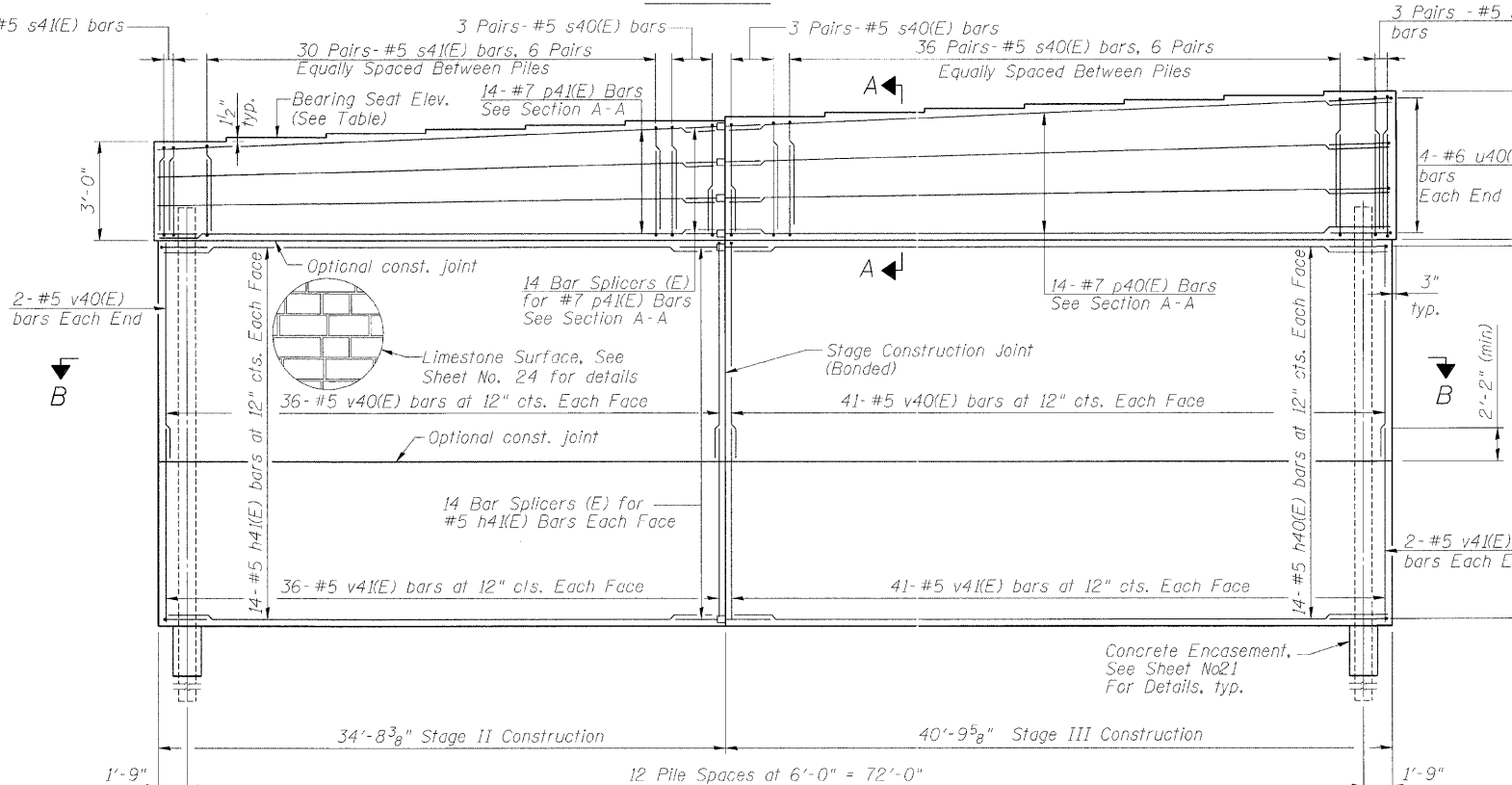
Type: HP14 X 89 with pile shoes
Nominal Required Bearing: 705k
Allowable Resistance Available: 235k
Est. Length: 38 ft. (Pier 1), 40 ft. (Pier 2)
No. Production Piles: 13 (Pier 1), 13 (Pier 2)
No. Test Piles: 0



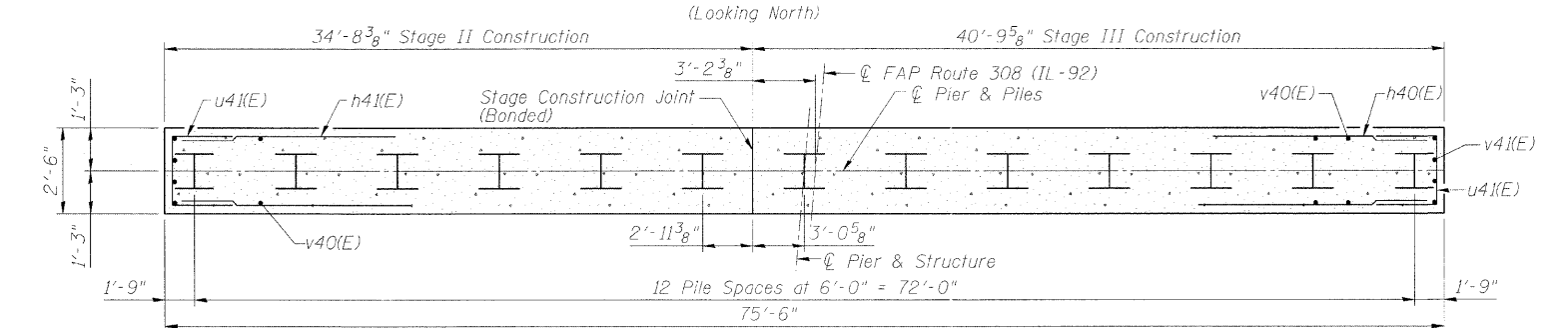
TOP PLAN



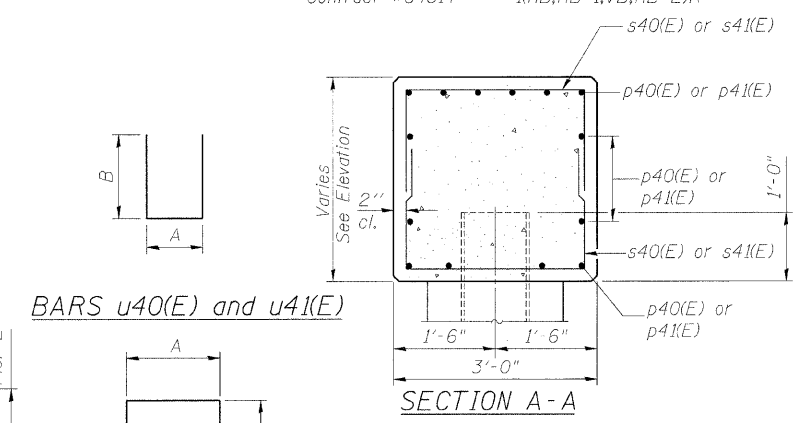
END VIEW



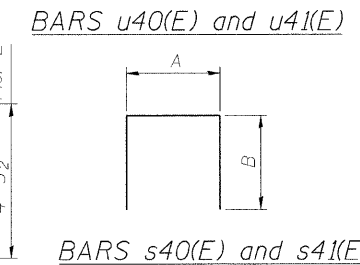
ELEVATION
(Looking North)



SECTION B-B



SECTION A-A



BARS u40(E) and u41(E)

BARS s40(E) and s41(E)

BILL OF MATERIAL FOR PIER 1

Bar	No.	Size	Length	Shape
h40(E)	28	#5	40'-3"	—
h41(E)	28	#5	34'-2"	—
p40(E)	14	#7	40'-8"	—
p41(E)	14	#7	34'-7"	—
s40(E)	90	#5	9'-0"	U
s41(E)	66	#5	8'-0"	U
u40(E)	8	#6	8'-1"	—
u41(E)	28	#5	6'-6"	—
v40(E)	158	#5	5'-4"	—
v41(E)	158	#5	9'-2"	—

BILL OF MATERIAL FOR PIER 2

Bar	No.	Size	Length	Shape
h40(E)	28	#5	40'-3"	—
h41(E)	28	#5	34'-2"	—
p40(E)	14	#7	40'-8"	—
p41(E)	14	#7	34'-7"	—
s40(E)	90	#5	9'-0"	U
s41(E)	66	#5	8'-0"	U
u40(E)	8	#6	8'-1"	—
u41(E)	28	#5	6'-6"	—
v40(E)	158	#5	5'-4"	—
v41(E)	158	#5	9'-2"	—

Structure Excavation	Cu. Yd.	36
Concrete Structures	Cu. Yd.	119.6
Rubbed Finish	Sq. Ft.	1,548
Formed Liner	Sq. Ft.	872
Limestone Surface		
Reinforcement Bars, Epoxy Coated	Pound	8,400
Furnishing Steel Piles HP14 X 89	Foot	494
Driving Piles	Foot	494
Pile Shoes	Each	13
Concrete Encasement	Cu. Yd.	7.1
Concrete Sealer	Sq. Ft.	2,497

Structure Excavation	Cu. Yd.	31
Concrete Structures	Cu. Yd.	120.0
Rubbed Finish	Sq. Ft.	1,584
Formed Liner	Sq. Ft.	885
Limestone Surface		
Reinforcement Bars, Epoxy Coated	Pound	8,400
Furnishing Steel Piles HP14 X 89	Foot	520
Driving Piles	Foot	520
Pile Shoes	Each	13
Concrete Encasement	Cu. Yd.	7.1
Concrete Sealer	Sq. Ft.	2,545

BEARING SEAT ELEVATIONS

BEAM	PIER 1	PIER 2
1	577.09	577.17
2	577.22	577.30
3	577.34	577.42
4	577.46	577.54
5	577.59	577.66
6	577.71	577.78
7	577.84	577.90
8	577.96	578.02
9	578.08	578.14
10	578.21	578.26
11	578.33	578.38
12	578.46	578.51
13	578.58	578.63

A & B DIMENSIONS

Bar	A	B
s40(E)	2'-8"	3'-2"
s41(E)	2'-8"	2'-8"
u40(E)	2'-7"	2'-9"
u41(E)	1'-8"	2'-5"

PIERS 1 AND 2
IL ROUTE 92 (CENTENNIAL EXPRESSWAY)
OVER 18TH AVENUE
FAP ROUTE 308 SEC. I(HB-1)R
ROCK ISLAND COUNTY
STATION 1517+79.41
STRUCTURE NO. 081-0171

DESIGNED JDG	 DB STERLIN CONSULTANTS, INC. 123 N. WACKER DRIVE SUITE 2000 CHICAGO, ILLINOIS 60606 TEL. 312/857-1006 FAX. 312/857-1056
CHECKED WPK	
DRAWN DCS	
CHECKED JDG	