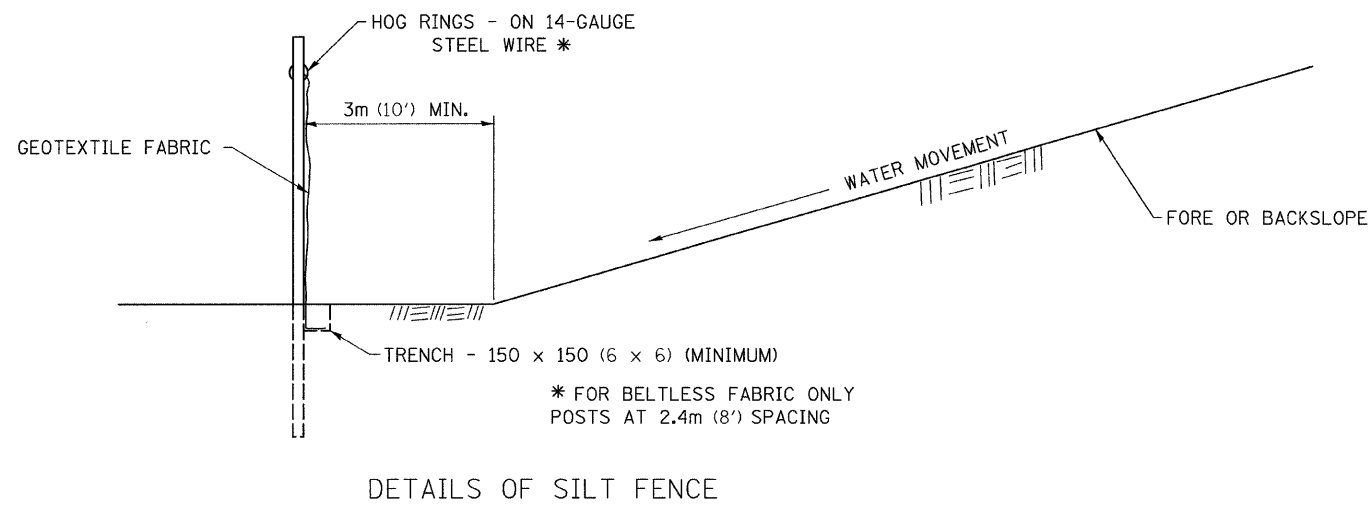
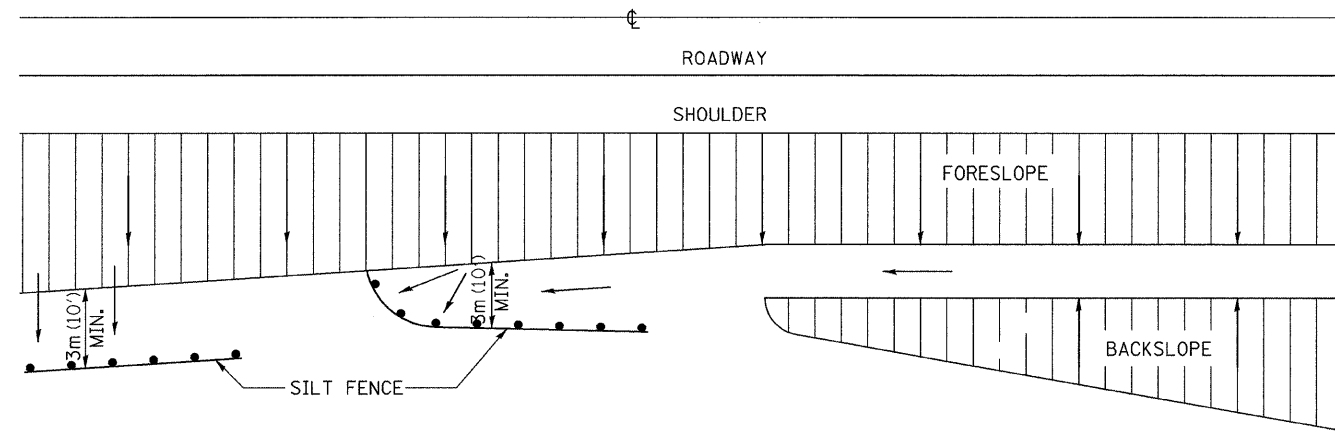
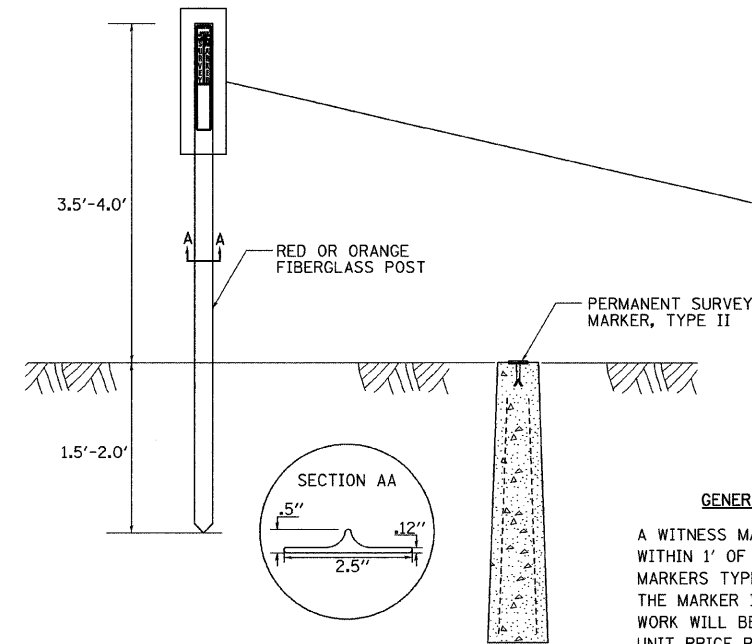


EROSION CONTROL DETAILS FOR SILT FENCE

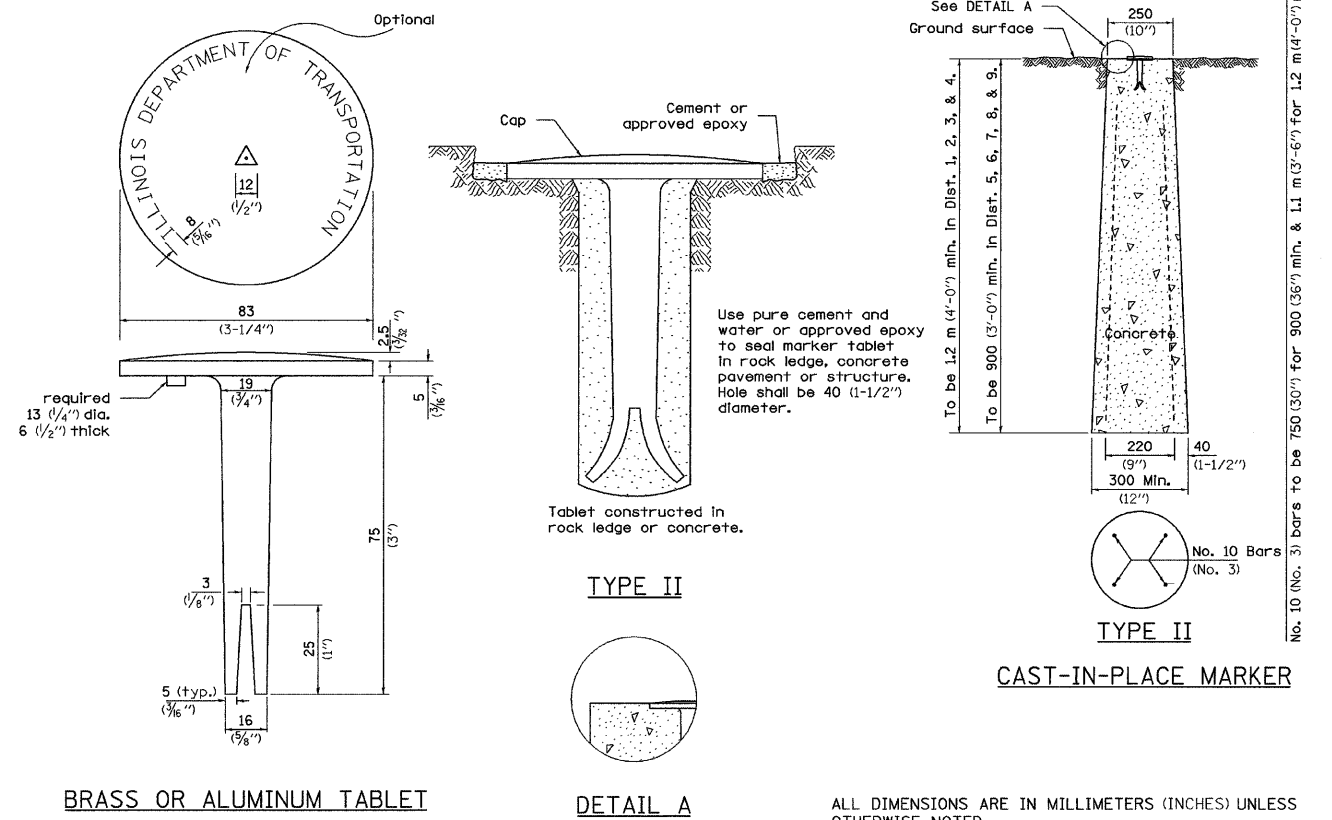


ALL DIMENSIONS ARE IN MILLIMETERS (INCHES) UNLESS OTHERWISE NOTED.

WITNESS MARKER FOR PERMANENT SURVEY MARKERS, TYPE II



PERMANENT SURVEY MARKERS, TYPE II



ALL DIMENSIONS ARE IN MILLIMETERS (INCHES) UNLESS OTHERWISE NOTED.

CONTRACT NO. 64939				
F.A.S. RTE.	SECTION	COUNTY	TOTAL SHEETS	SHEET NO.
203	11BR-1	*	43	34
STA.	TO STA.			
FED. ROAD DIST. NO. ILLINOIS FED. AID PROJECT				
*WHITESIDE & ROCK ISLAND				