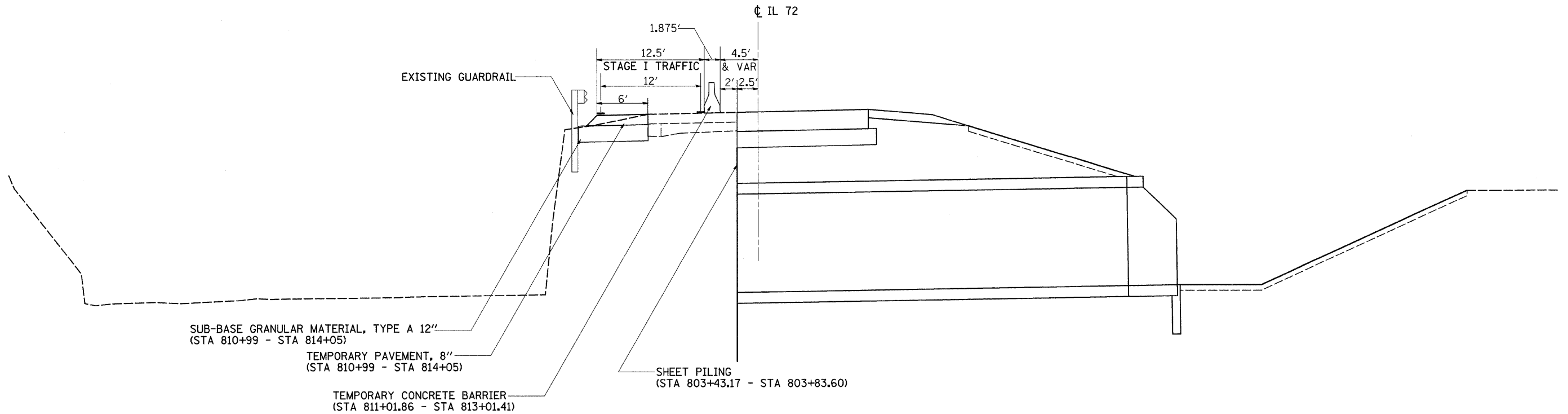


F.A.P. RTE.	SECTION	COUNTY	TOTAL SHEETS	SHEET NO.
549	117 T	OGLE	86	15
STA.		TO STA.		
FED. ROAD DIST. NO.		ILLINOIS FED. AID PROJECT		

STAGING TYPICAL SECTIONS

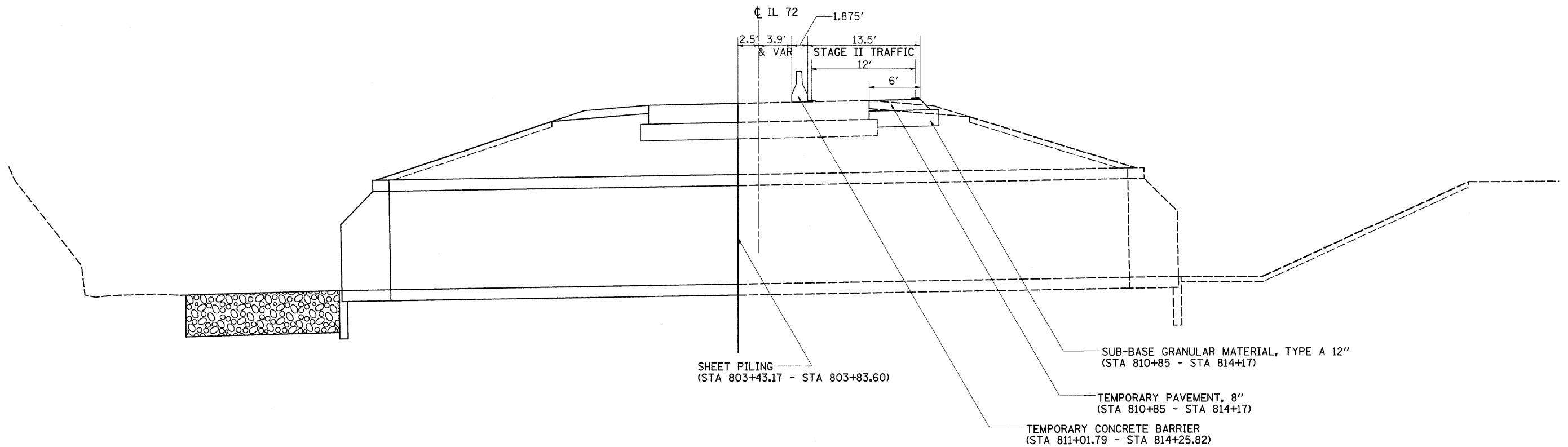
STAGE I

STRUCTURE NO. 2



STAGE II

STRUCTURE NO. 2



PLOT DATE = Fri Dec 28 13:53:08 2007
 FILE NAME = c:\projects\p210765\dl10705.tpd.dgn
 PLOT SCALE = 50.0000 / IN.
 USER NAME = gertj