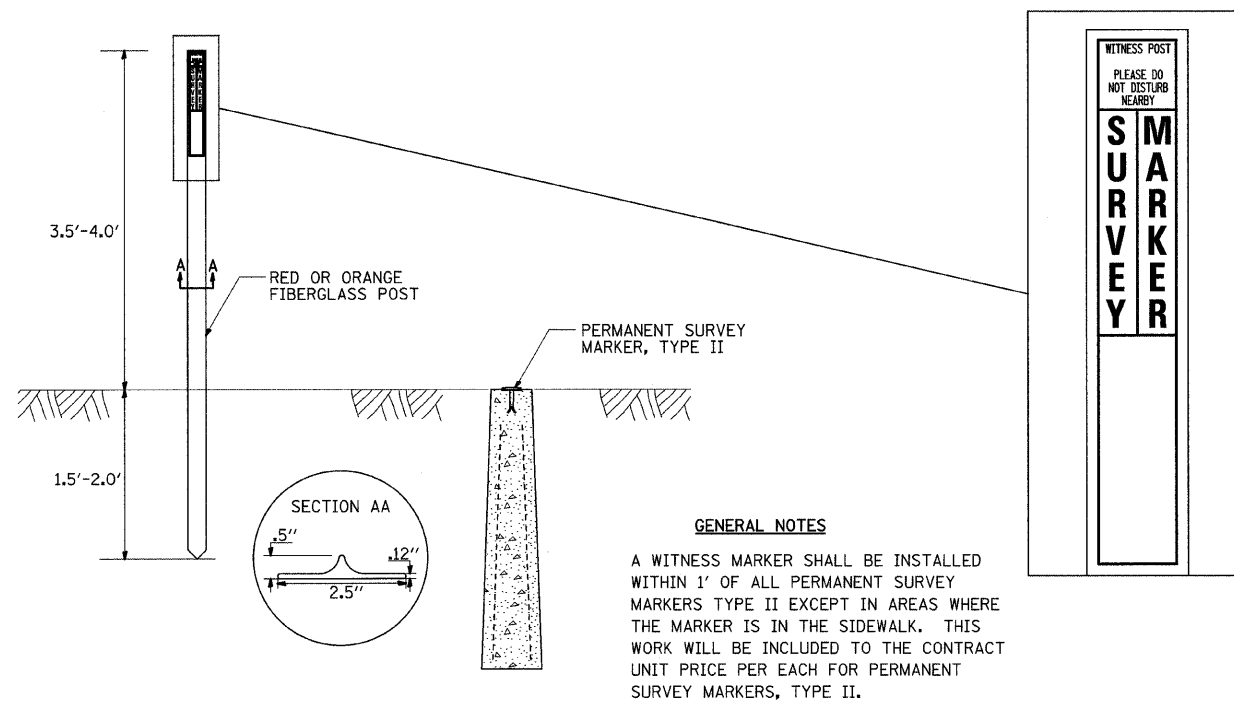
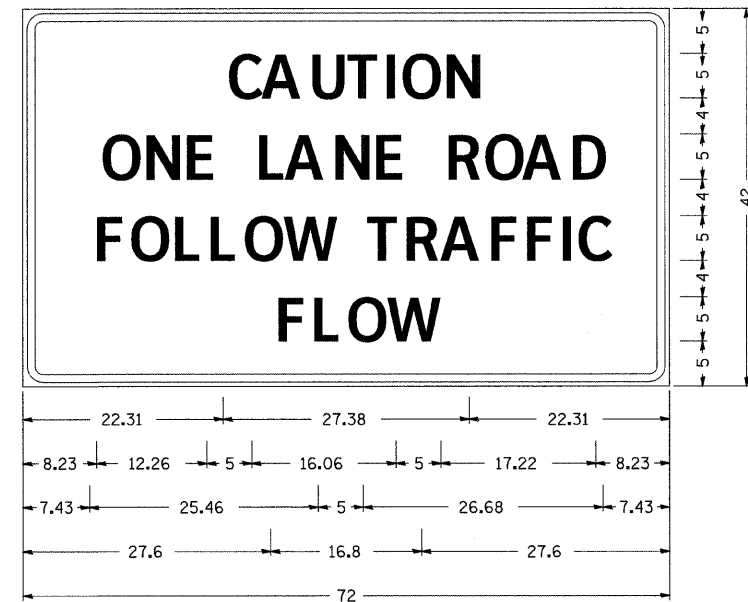


F.A.P. RTE.	SECTION	COUNTY	TOTAL SHEETS	SHEET NO.
549	117 T	OGLE	86	63
STA.		TO STA.		
FED. ROAD DIST. NO.		ILLINOIS FED. AID PROJECT		

WITNESS MARKER FOR PERMANENT SURVEY MARKERS, TYPE II



ENTRANCE SIGN FOR USE WITH TEMPORARY SIGNALS



Type AA Fluorescent Orange Sheeting ;
 2.25" Radius, 0.88" Border, 0.50" Indent, Black on Orange;
 [CAUTION] D; [ONE LANE ROAD] D;
 [FOLLOW TRAFFIC] D; [FLOW] D

Table Of Widths And Spaces

22.31	C	3.36	A	0.62	4.18	0.94	3.36	0.94	T	3.04	0.94	I	0.78	1.17	O	3.52	1.17	N	3.36	22.31		
8.23	O	3.51	N	1.17	3.36	1.18	3.04	E														
	L	5.00	A	3.05	0.31	4.18	0.94	N	3.36	1.17	E	3.05										
	R	5.00	O	3.36	0.93	3.52	0.94	A	4.18	0.93	D	3.36	8.23									
7.43	F	3.04	O	0.94	3.52	1.17	3.04	L	0.94	3.05	O	0.94	3.51	0.94	4.37							
	T	5.00	R	3.05	0.94	3.36	0.94	A	4.18	0.93	F	3.05	0.94	3.04	0.94	F	3.04	0.94	I	1.18	3.35	7.43
27.60	F	3.05	L	0.94	3.04	0.94	3.52	O	0.93	4.38	27.60											

GENERAL NOTES

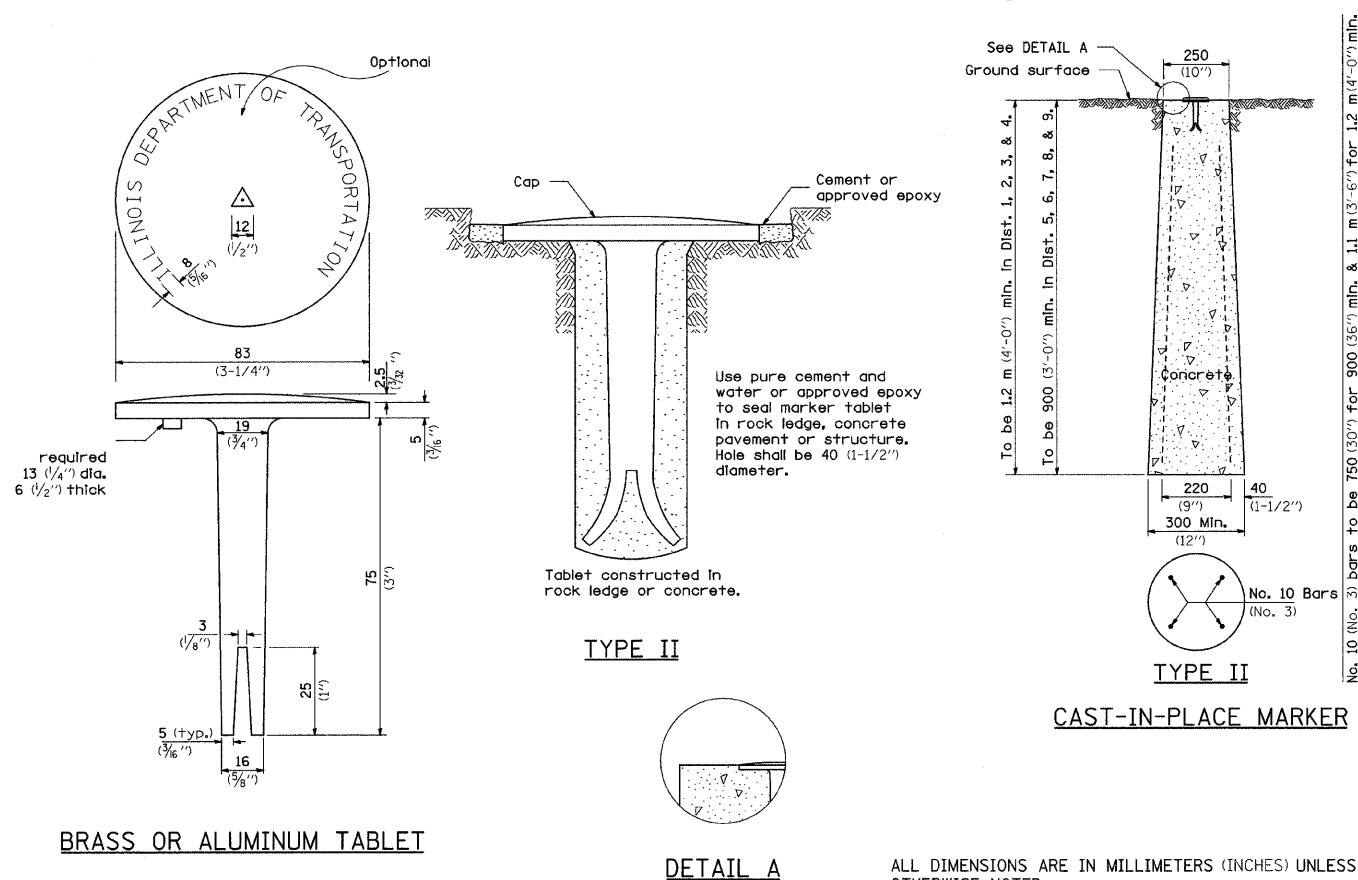
THIS SIGN SHALL BE INSTALLED AT ENTRANCES LOCATED BETWEEN THE TEMPORARY SIGNALS AS DIRECTED BY THE ENGINEER.

ALL DIMENSIONS ARE IN INCHES UNLESS OTHERWISE NOTED.

THE COST TO FURNISH, INSTALL AND REMOVE THIS SIGN AT THE REQUIRED LOCATIONS SHALL BE INCLUDED IN THE COST OF TRAFFIC CONTROL AND PROTECTION STANDARD 701321.

ALL DIMENSIONS ARE IN MILLIMETERS (INCHES) UNLESS OTHERWISE NOTED.

PERMANENT SURVEY MARKERS, TYPE II



PLOT DATE = Fri, Dec 28 13:45:25 2007
 FILE NAME = c:\p\projects\110705\110705.dgn
 PLOT SCALE = 1:1
 REFERENCE = REF