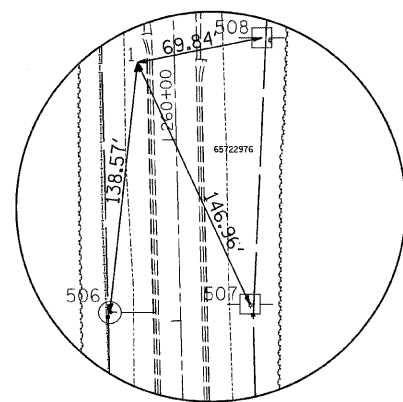


F.A. P. RTE.	SECTION	COUNTY	TOTAL SHEETS	SHEET NO.
654	109M	CARROLL	76	21
STA.		TO STA.		
FED. ROAD DIST. NO.		ILLINOIS FED. AID PROJECT		

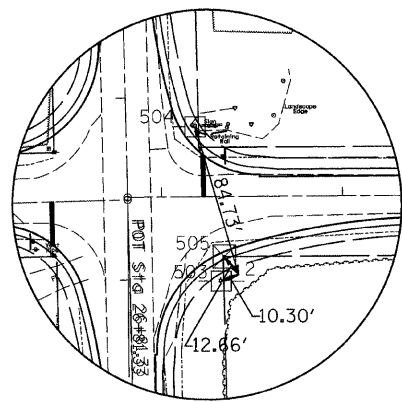
HORIZONTAL & VERTICAL CONTROL

HORIZONTAL CONTROL POINTS

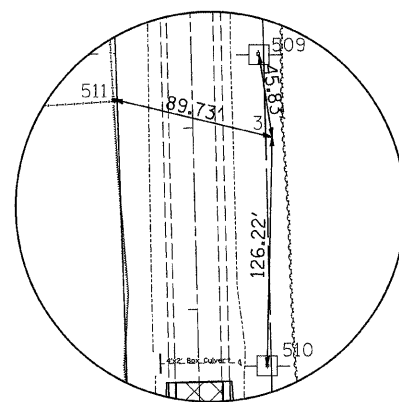
POINT	NORTH	EAST	ELEVATION	CHAIN	STATION	OFFSET	DESCRIPTION
1	2003077.5980	2389407.7810	888.8960	73	260+42.9534	20.3337' LT	GPS CONTROL POINT, PIN
2	2004237.8470	2389459.7620	886.0590	73	272+01.5639	60.297' RT	GPS CONTROL POINT, PIN
3	2004929.5960	2389425.9400	885.3440	73	278+93.9374	43.5759' RT	GPS CONTROL POINT, PIN
5	2004228.4380	2388476.0290	864.5270	73	272+16.4623	923.3682' LT	GPS CONTROL POINT, PIN
65722976	2003025.6046	2389466.2979	897.1490	73	259+89.5301	36.8807' RT	DISTRICT NETWORK MONUMENT, PERM. SURVEY MARKER
65722977	2007352.2250	2389282.1355	938.6500	73	303+19.3240	40.4509' LT	DISTRICT NETWORK MONUMENT, PERM. SURVEY MARKER



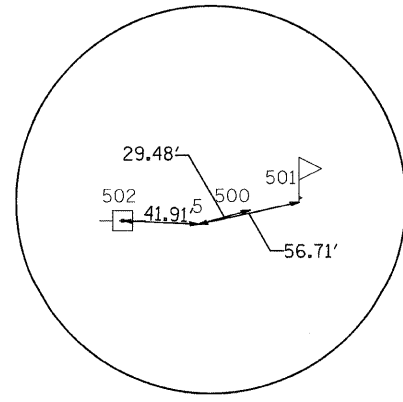
HORIZONTAL CONTROL POINT NO. 1



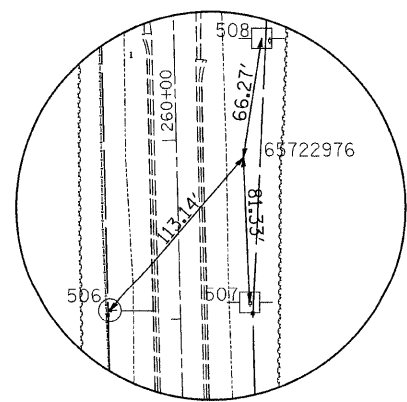
HORIZONTAL CONTROL POINT NO. 2



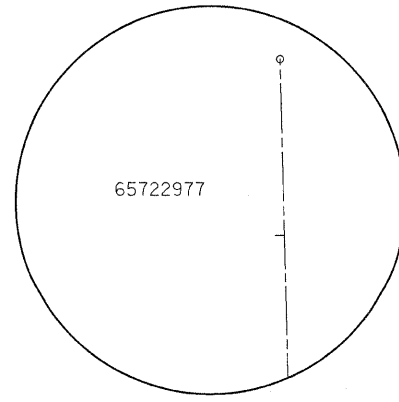
HORIZONTAL CONTROL POINT NO. 3



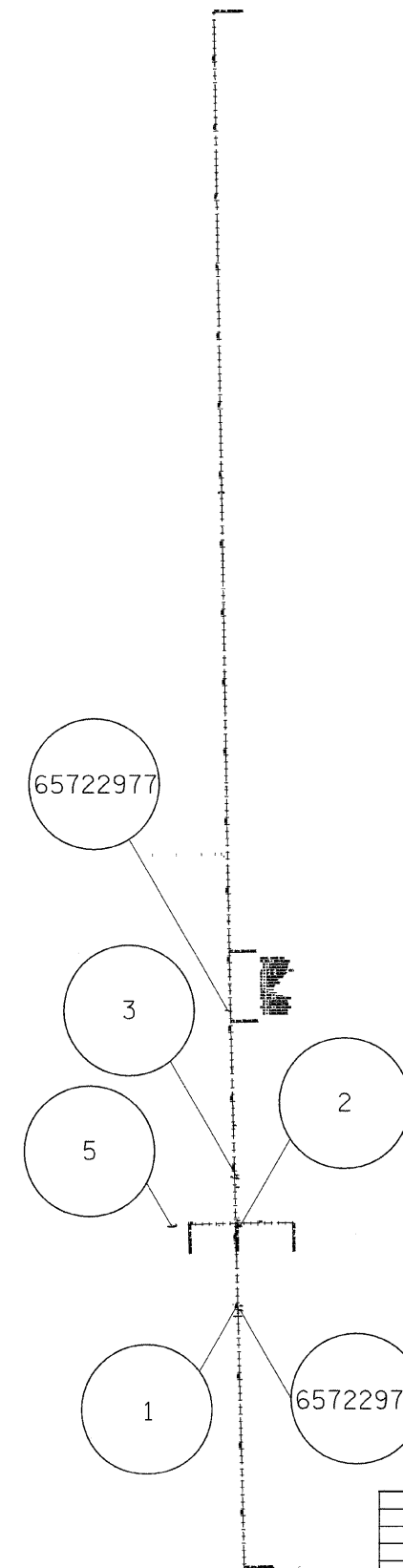
HORIZONTAL CONTROL POINT NO. 5



HORIZONTAL CONTROL POINT NO. 65722976



HORIZONTAL CONTROL POINT NO. 65722977



REVISIONS	
NAME	DATE

ILLINOIS DEPARTMENT OF TRANSPORTATION

SCALE: VERT. _____
 HORIZ. _____

DATE _____

DRAWN BY _____
 CHECKED BY _____

PLOT DATE = Thu Dec 13 14:49:18 2007
 FILE NAME = s:\projects\65722976\65722976.dgn
 USER NAME = gerritj