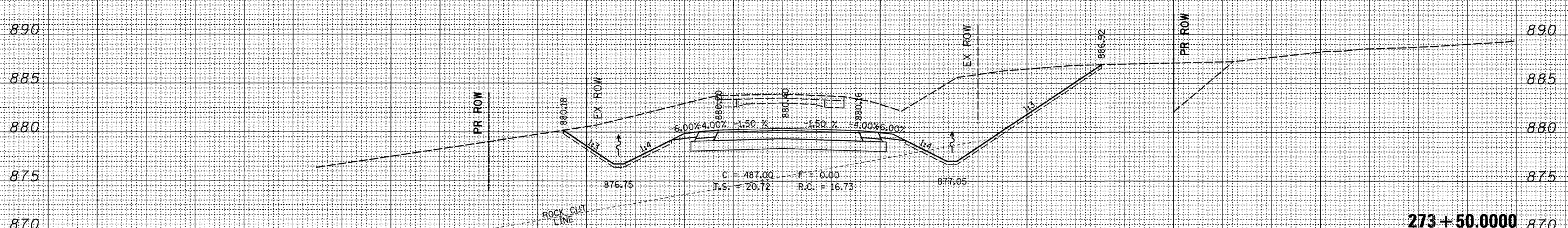
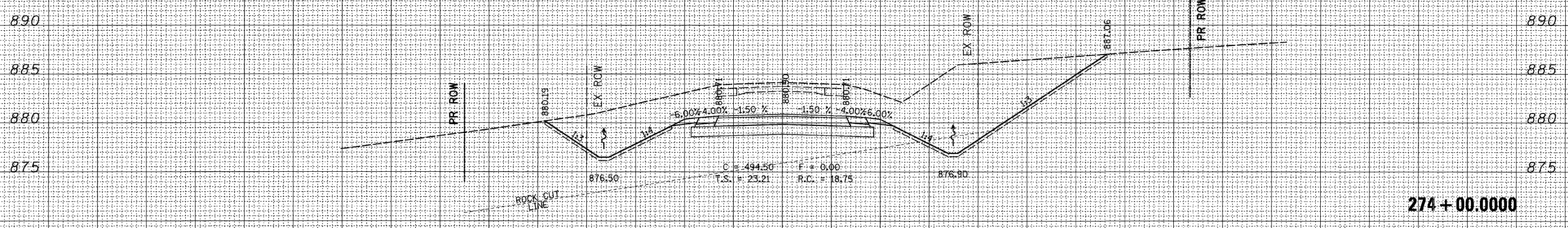
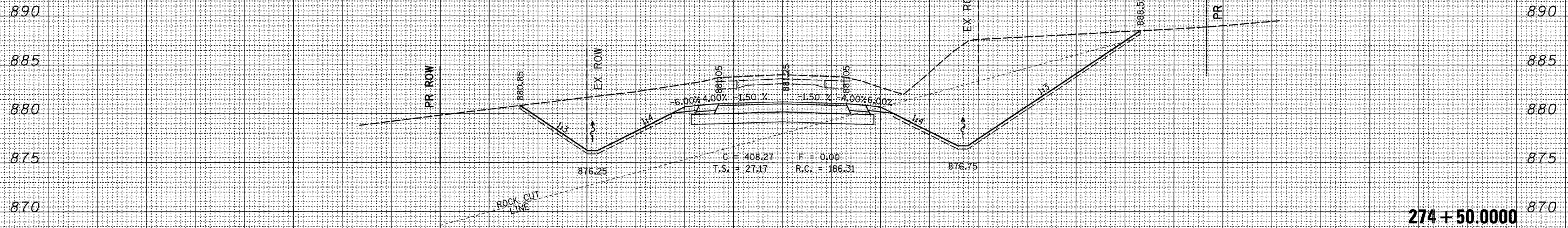


F.A.P. RTE.	SECTION	COUNTY	TOTAL SHEETS	SHEET NO.
654	109M	CARROLL	76	59
STA.		TO STA.		
FED. ROAD DIST. NO.		ILLINOIS FED. AID PROJECT		

150 140 130 120 110 100 90 80 70 60 50 40 30 20 10 0 10 20 30 40 50 60 70 80 90 100 110 120 130 140 150



150 140 130 120 110 100 90 80 70 60 50 40 30 20 10 0 10 20 30 40 50 60 70 80 90 100 110 120 130 140 150

BY	DATE

BY	DATE

PLOT DATE = Thu Dec 13 14:05:10 2007
 FILE NAME = c:\p\projects\p2007\96\480986.mxd
 PLOT SCALE = 10.0000 / in.
 USER NAME = gprtjt