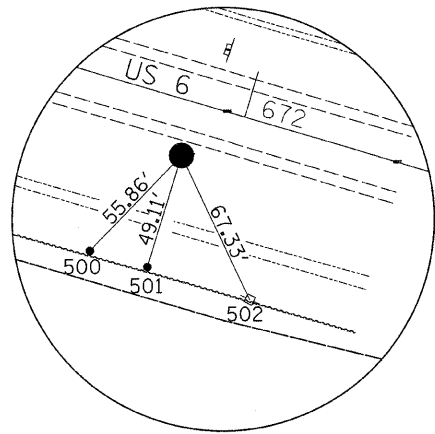
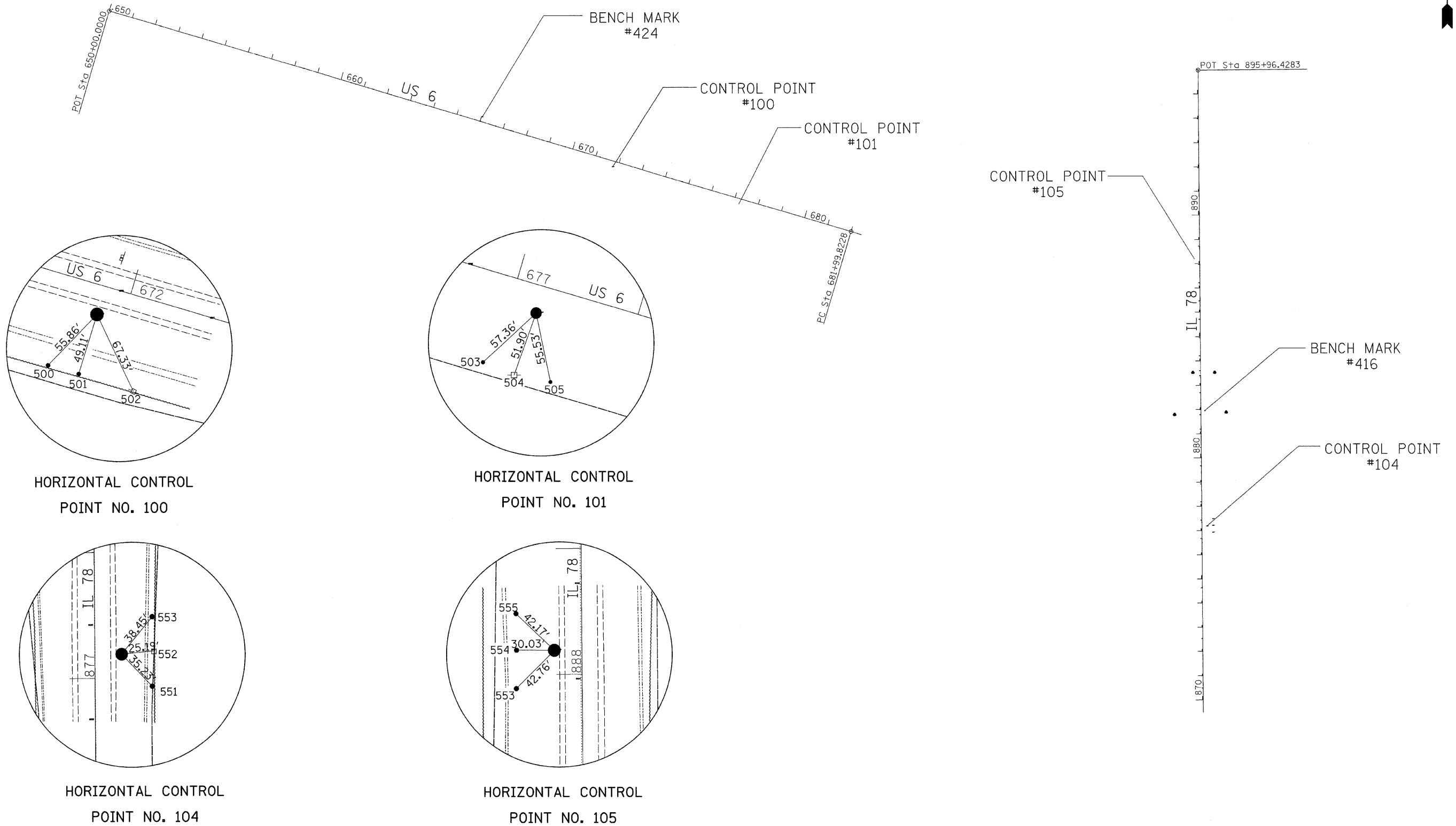


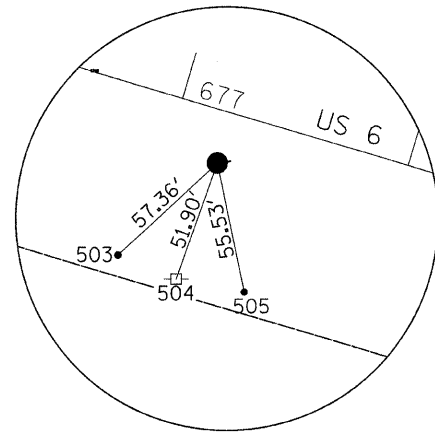
HORIZONTAL & VERTICAL CONTROL

CONTRACT NO. 64D10				
F.A. RTE.	SECTION	COUNTY	TOTAL SHEETS	SHEET NO.
.	.	HENRY	80	19
STA.		TO STA.		
FED. ROAD DIST. NO.		ILLINOIS FED. AID PROJECT		

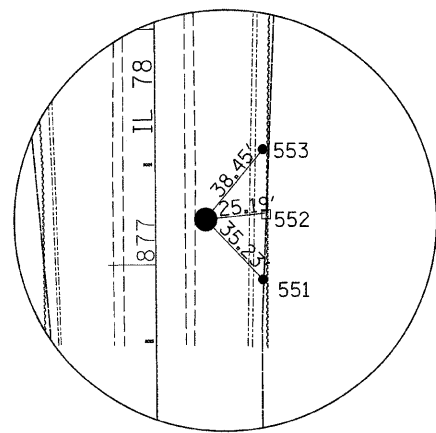
• FAP 22 (IL 78) & FAS 1247 (US 6) •• (125BR-1D) & (6BRD)



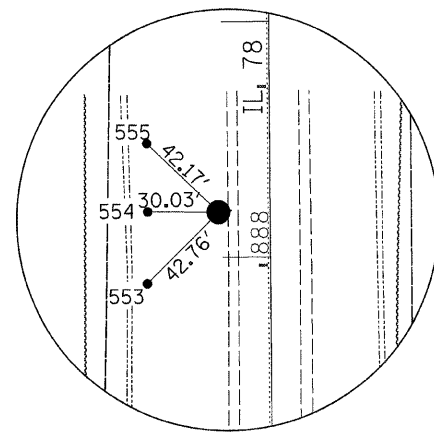
HORIZONTAL CONTROL
POINT NO. 100



HORIZONTAL CONTROL
POINT NO. 101



HORIZONTAL CONTROL
POINT NO. 104



HORIZONTAL CONTROL
POINT NO. 105

HORIZONTAL & VERTICAL CONTROL

PLOT DATE = Wed Nov 28 14:56:52 2007
 FILE NAME = \\s200607\cadd\64D10\7hvc.dgn
 PLOT SCALE = 200.0000 / IN.
 USER NAME = grantgm