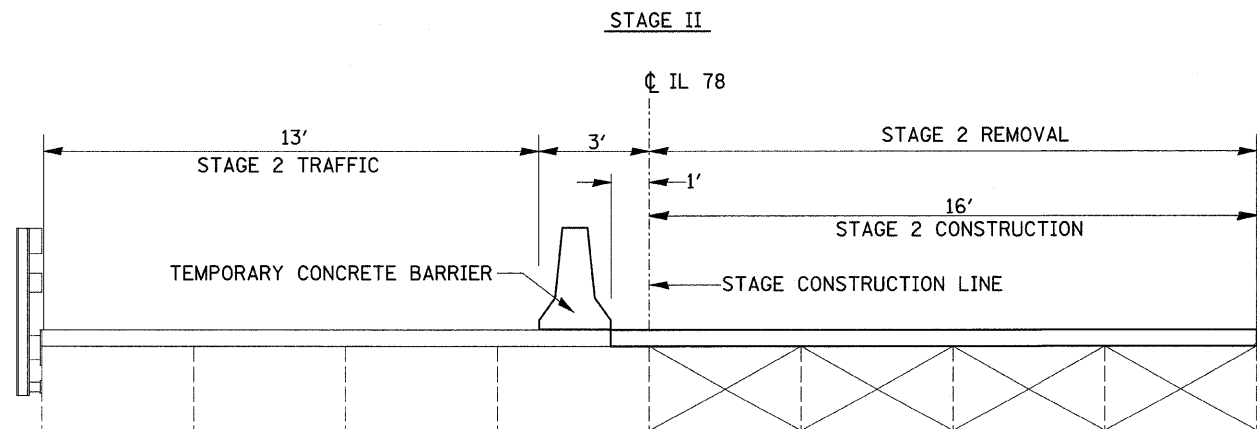
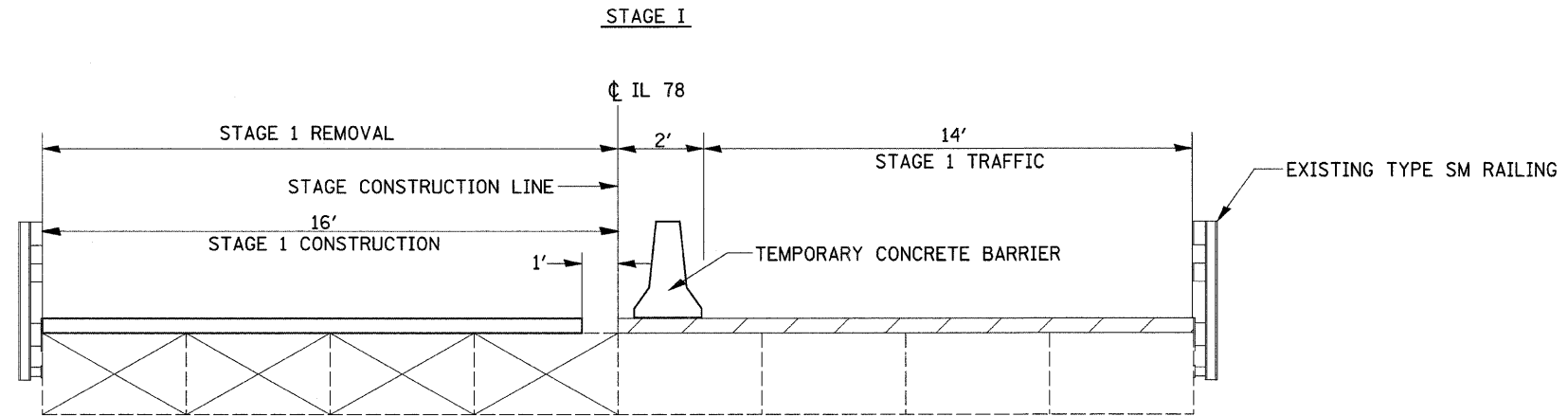
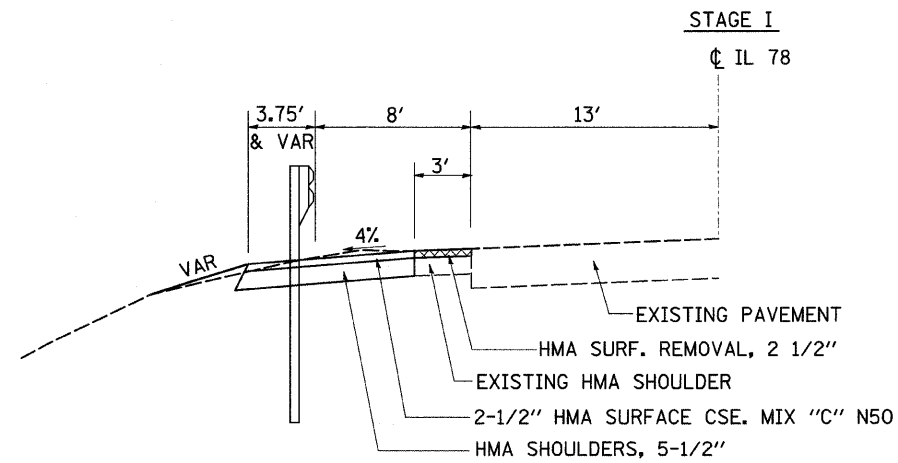


IL 78 OVER GREEN RIVER

STA 883+39.50 - 885+68.00



• FAP 22 (IL 78) & FAS 1247 (US 6) •• (125BR-1)D & (6BR)D

FILE NAME = c:\projects\p285007\d85007.tyo.dgn	USER NAME = grantpm	DESIGNED -	REVISIED -
		DRAWN -	REVISIED -
	PLOT SCALE = 48,0349' / IN.	CHECKED -	REVISIED -
	PLOT DATE = Wed Nov 28 14:01:46 2007	DATE -	REVISIED -

**STATE OF ILLINOIS
DEPARTMENT OF TRANSPORTATION**

TYPICAL SECTIONS

SCALE: SHEET NO. OF SHEETS STA. TO STA.

F.A. RTE.	SECTION	COUNTY	TOTAL SHEETS	SHEET NO.
*	**	HENRY	80	30
CONTRACT NO. 64D10				
FED. ROAD DIST. NO. ILLINOIS FED. AID PROJECT				