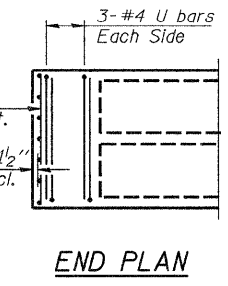
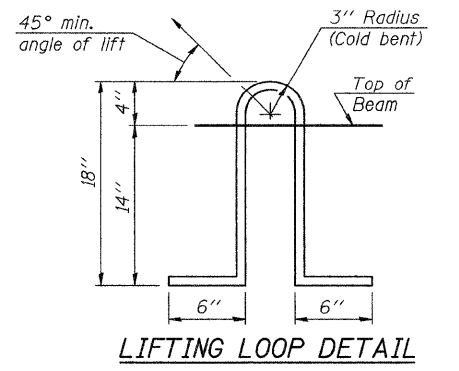
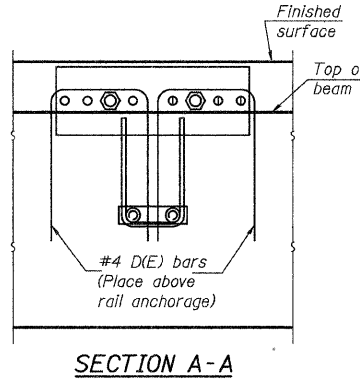
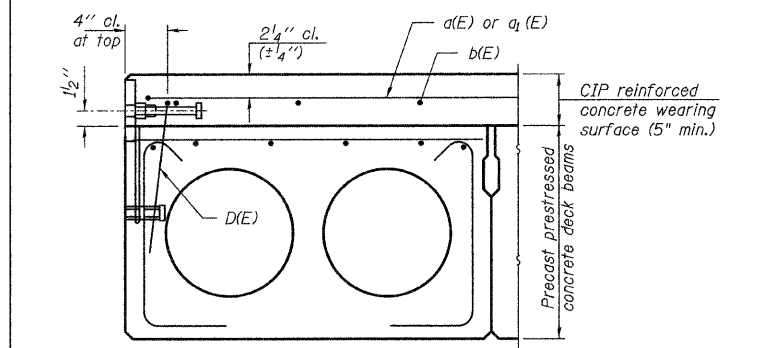
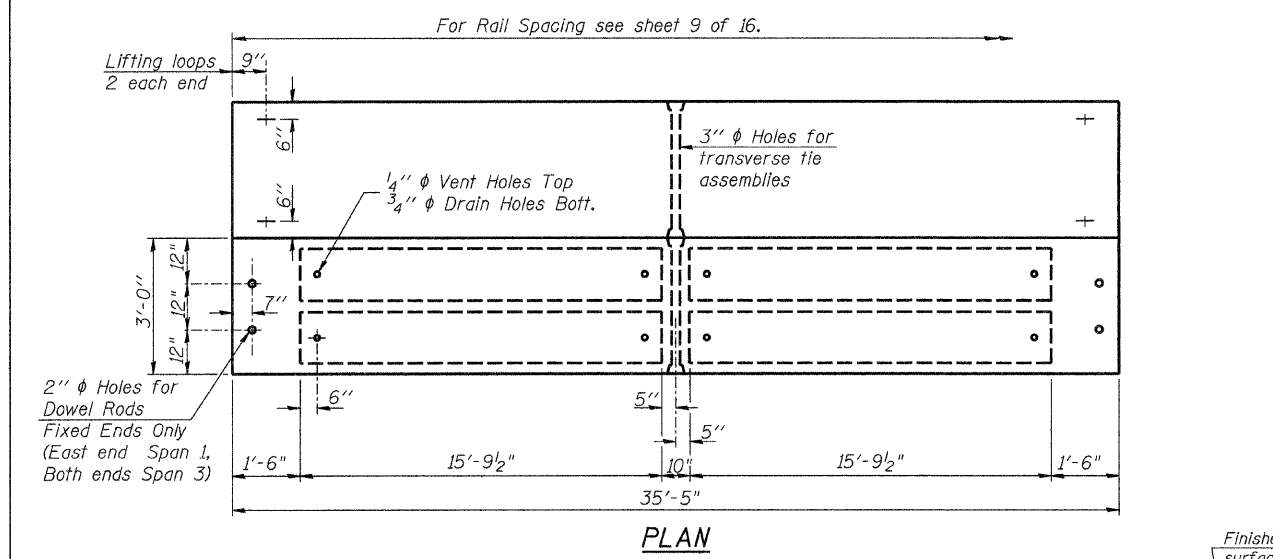
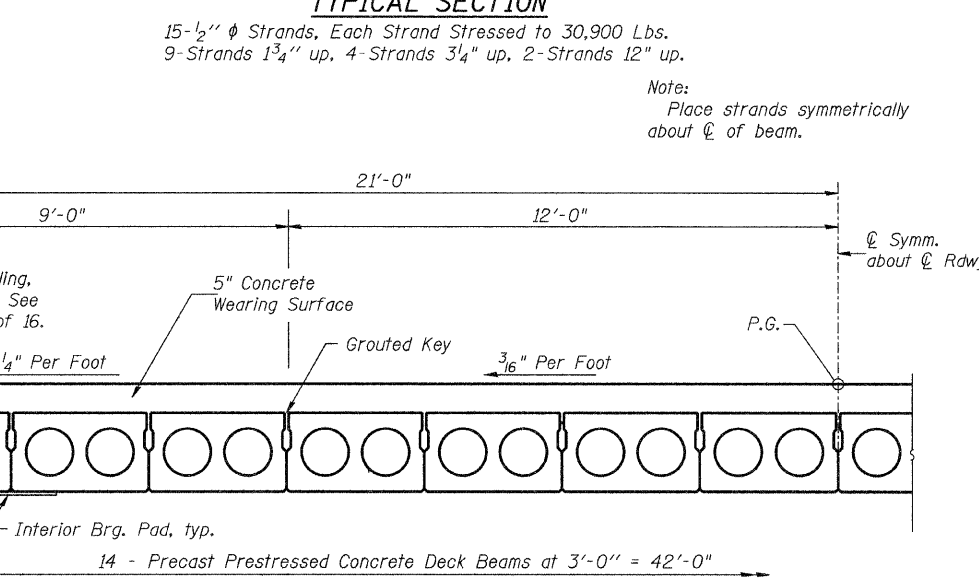
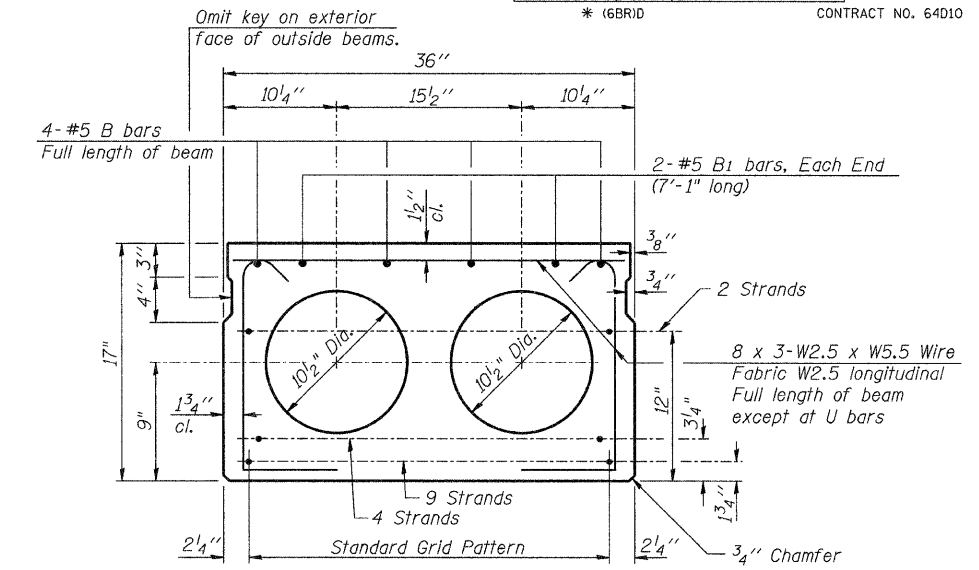


Rail anchorage shall be cast in PPC Deck beams. See typical section for dimensions, strand pattern and bar callouts not shown. Formwork necessary for the wearing surface may be secured utilizing the bottom rail anchorage inserts and/or additional inserts cast into the beam. Drilling into the beam will not be permitted.



DESIGNED	BAN
CHECKED	JEH
DRAWN	TC/TD
CHECKED	BAN

8 x 3-W2.5 x W5.5 Wire Fabric, W5.5 vert. Full depth of beam. Each End.

PD-3-S 11-1-06

NOTES

Prestressing steel shall be uncoated high strength, low relaxation 7-wire strand, Grade 270. The nominal diameter shall be 1/2" and the nominal cross-sectional area shall be 0.153 sq. in. Lifting loops shall be 2 - 1/2" φ-270 ksi strands, as shown. The 1" φ rods in the transverse tie assembly shall be tightened to a snug fit and the threads set. Pockets that receive transverse tie bar on outside shall be filled with grout after transverse tie assembly is in place. Non prestressing steel shall conform to ASTM A 706 (IL MOD), Grade 60. The bearing seat surfaces shall be adjusted by shimming to assure firm and even bearing. Two 1/8" fabric adjusting shims of the dimensions of the Exterior Bearing Pad shall be provided for each bearing. Keyway surfaces shall be cleaned to remove form oil or other bond breaking material prior to shipment of the beams. Cleaning shall be done by sandblasting the keyway areas between top of the beam and the bottom edge of the key. Corrosion Inhibitor, per Article 1020.05(b)(12) of the Standard Specifications, shall be used in the concrete for precast prestressed concrete deck beams. Required Release Strength, f'ci, shall be 4,000 p.s.i. Rail post anchor devices shall be cast into outside face of exterior beams as specified elsewhere.

BILL OF MATERIAL

Item	Unit	Quantity
Precast Prestressed Conc. Deck Bms. (17" Depth)	Sq. Ft.	2,975

DECK BEAM DETAILS - SPANS 1 & 3
F.A.S. 1247 (U.S. ROUTE 6)
OVER MUD CREEK
SECTION (6BR)D
HENRY COUNTY
STATION 666+69.05
STR. NO. 037-0131

HUTCHISON ENGINEERING, INC.
JACKSONVILLE, ILLINOIS
Rev: _____ Date: _____