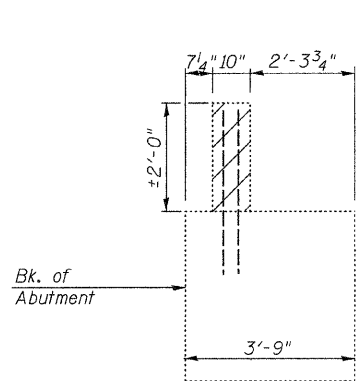
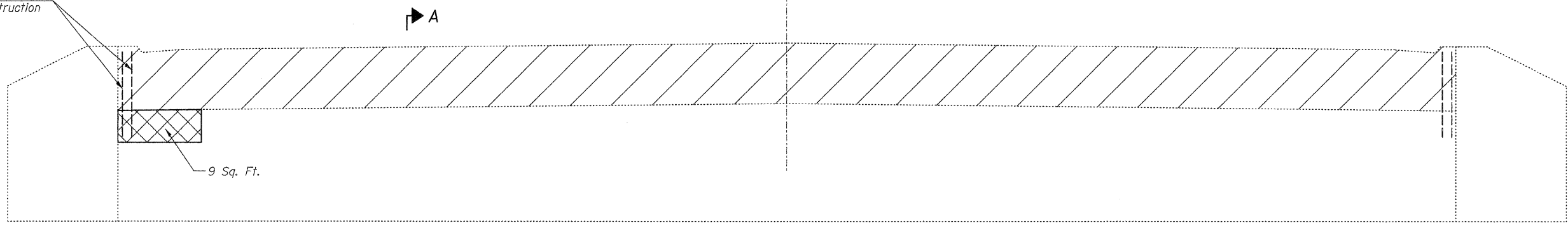


℄ West Abutment & ℄ Roadway

*Clean & incorporate existing vertical bars into new construction

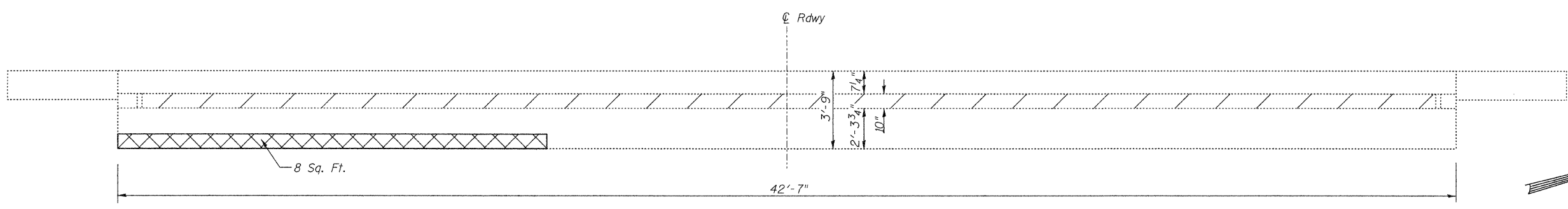


SEC. A-A

ELEVATION
(Looking West)

BILL OF MATERIAL

Item	Unit	Quantity
Concrete Removal	Cu. Yd.	2.0
Structural Repair of Concrete (Depth equal to or less than 5")	Sq. Ft.	17



PLAN

LEGEND

- Structural Repair of Concrete (Depth equal to or less than 5")
- Concrete Removal

* Existing reinforcement bars extending into new construction shall be cleaned, straightened and incorporated in to the new construction. Cost to be included with Concrete Removal.

DESIGNED	BAN
CHECKED	JEH
DRAWN	TC/TD
CHECKED	BAN

**WEST ABUTMENT REPAIRS
AND CONCRETE REMOVAL
F.A.S. 1247 (U.S. ROUTE 6)
OVER MUD CREEK
SECTION (6BR)D
HENRY COUNTY
STATION 666+69.05
STR. NO. 037-0131**

HUTCHISON ENGINEERING, INC.
JACKSONVILLE, ILLINOIS

Rev: _____ Date: _____