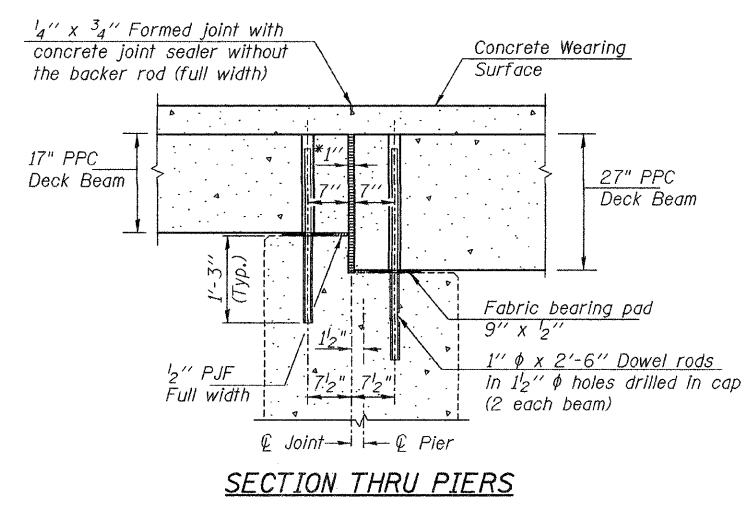
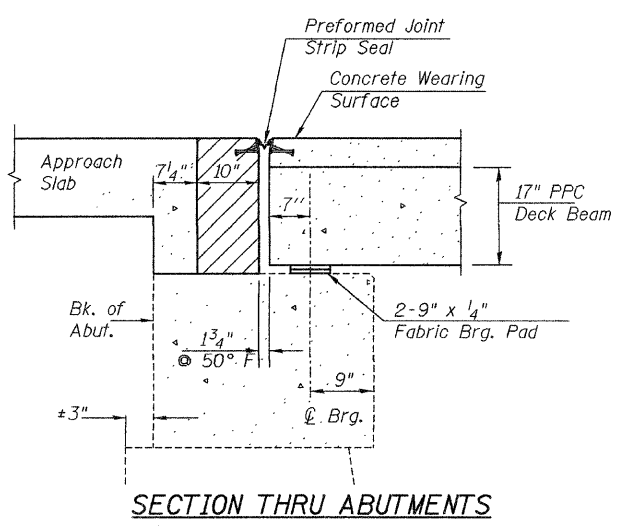
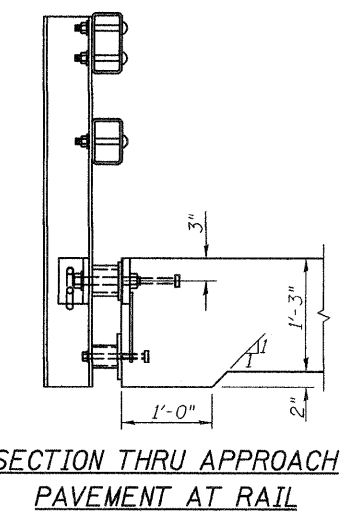


RAIL POST SPACING



*1" Jt. shall be filled with non-shrink grout. 1" dimension may vary to accommodate tolerance in beam lengths.



See Sheet 8 of 15 for Rail Post Anchor Details
See Std. 420401 for additional Bridge Approach Pavement Details.

DESIGNED	BAN
CHECKED	JOH
DRAWN	TD
CHECKED	BAN

SUPERSTRUCTURE DETAILS
FAP 22 (ILLINOIS ROUTE 78)
OVER GREEN RIVER
SEC. (125BR-110)
HENRY COUNTY
STATION 882+67.79
STR. NO. 037-0129
HUTCHISON ENGINEERING, INC.
JACKSONVILLE, ILLINOIS
 Rev: _____ Date: _____