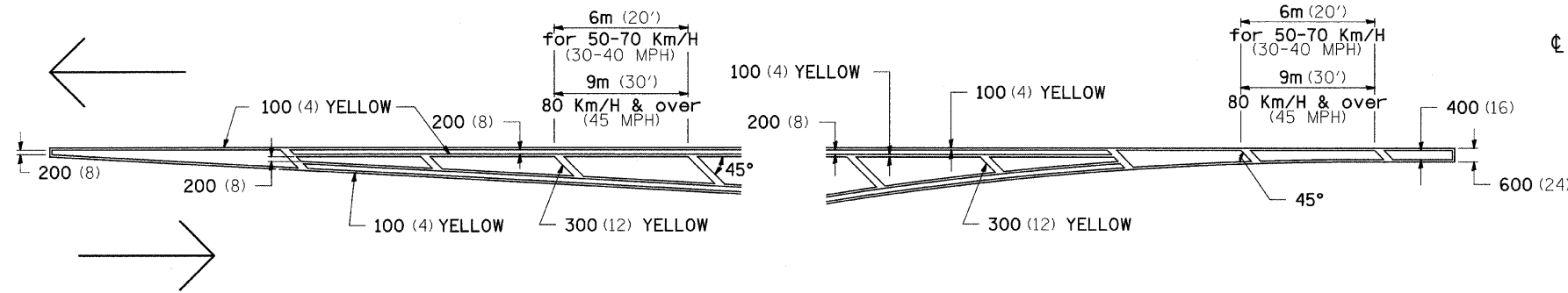
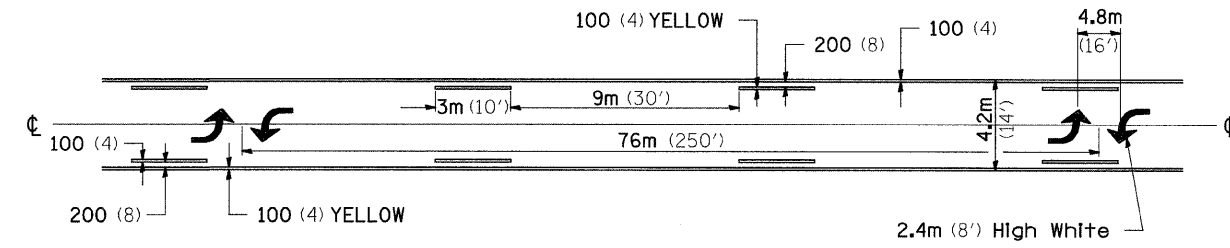


TYPICAL PAVEMENT MARKINGS

TYPICAL PAVEMENT MARKING FOR FLUSH MEDIAN AT LEFT TURN LANE

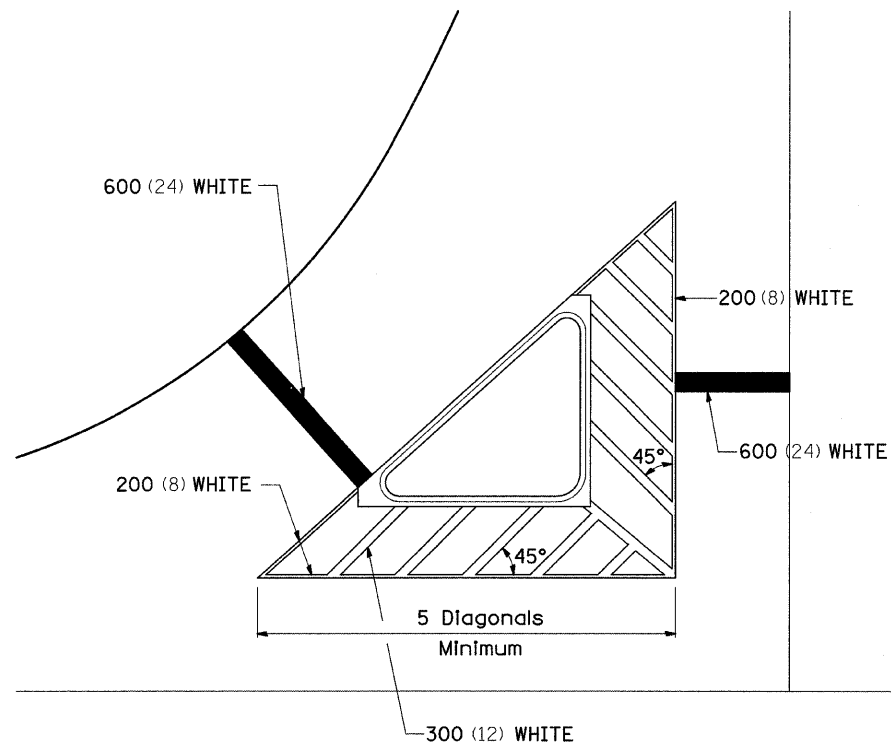


MEDIAN PAVEMENT MARKING

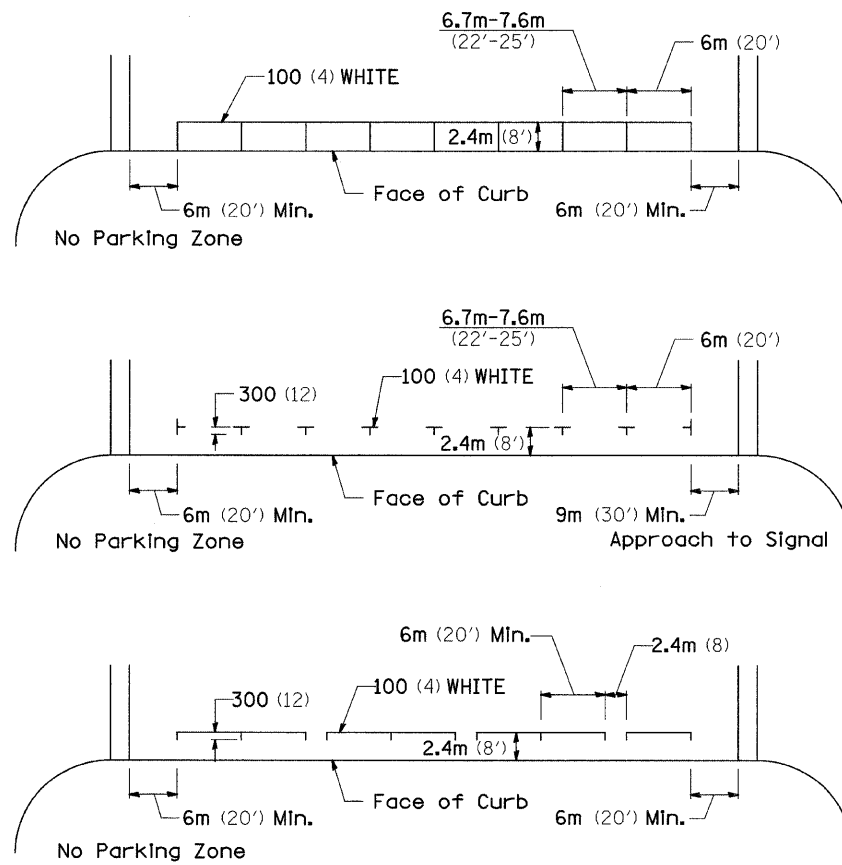


** ALL DIMENSIONS ARE IN MILLIMETERS (INCHES) UNLESS OTHERWISE NOTED.

TYPICAL ISLAND OFFSET SHOULDER WIDTH

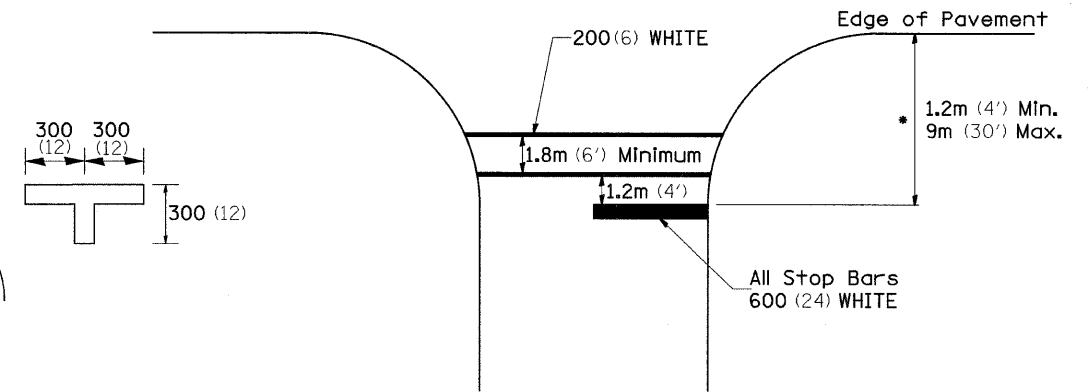


TYPICAL PARKING SPACING



STANDARD CROSSWALK MARKING

See Schedules for Locations



* Distance to the nearest edge of the intersecting roadway in the absence of a marked crosswalk.

FILE NAME = c:\projects\p205007\d05007sp1.dgn	USER NAME = grntpm	DESIGNED - DRAWN -	REVISED - REVISED -
	PLOT SCALE = 48.0349 ' / IN.	CHECKED -	REVISED -
	PLOT DATE = Wed Nov 28 13:43:37 2007	DATE -	REVISED -

DESIGNED - 7-20-06
 REVISIONS:
 REVISIONS:
 REVISIONS:
 REVISIONS:

STATE OF ILLINOIS
 DEPARTMENT OF TRANSPORTATION
 REGION 2 / DISTRICT 2 STANDARD
 SCALE: SHEET NO. OF SHEETS STA. TO STA.

F.A. RTE.	SECTION	COUNTY	TOTAL SHEETS	SHEET NO.
*	**	HENRY	80	66
FED. ROAD DIST. NO. [ILLINOIS] FED. AID PROJECT			CONTRACT NO. 64D10	