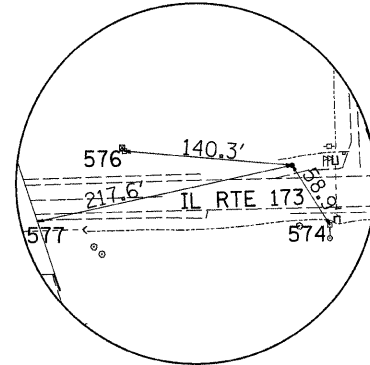


# HORIZONTAL & VERTICAL CONTROL

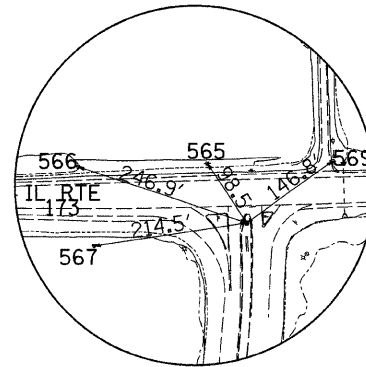
CONTRACT NO. 64051  
 F.A.P. SECTION COUNTY TOTAL SHEETS SHEET NO.  
 •303 129M&TS WINNEBAGO 110 17  
 STA. TO STA.  
 FED. ROAD DIST. NO. ILLINOIS FED. AID PROJECT  
 •(IL 173)

## HORIZONTAL CONTROL POINTS

POINT	NORTH	EAST	ELEVATION	CHAIN	STATION	OFFSET	DESCRIPTION
90274	2079670.3060	2621222.6490	898.9320	11173	195+88.1427	23.4415' LT	GPS CONTROL POINT, PIN
AH3045	2079518.1920	2617717.4890	879.8160	11173	160+80.3683	45.8697' RT	GPS CONTROL POINT, D2-NETWORK MONUMENT



HORIZONTAL CONTROL POINT No. 90274



HORIZONTAL CONTROL POINT No. AH3045

## REFERENCE TIES

POINT	CHAIN	STATION	OFFSET	DESCRIPTION
565	11173	160+27.6638	37.9120' LT	POWER POLE, SHINER
566	11173	158+48.1349	37.6238' LT	POWER POLE, SHINER
567	11173	158+67.7178	72.5173' RT	18" TREE EVERGREEN, SHINER
569	11173	162+01.7953	36.6403' LT	POWER POLE, SHINER
574	11173	196+18.3465	27.1528' RT	POWER POLE, SHINER
576	11173	194+48.6009	38.2704' LT	POWER POLE, SHINER
577	11173	193+74.6078	18.4204' RT	PIER, CHISELED SQUARE

## BENCH MARKS

POINT	NORTH	EAST	ELEVATION	CHAIN	STATION	OFFSET	DESCRIPTION
480	2074124.2550	2599863.7110	721.7580	EBELVIDERE	110+89.9470	27210.0419' LT	CHISELED SQUARE, DROP INLET
90216	2073871.3580	2600587.5250	734.6680	EBELVIDERE	106+66.2641	26571.0142' LT	PHOTO CONTROL H.& V., PK NAIL

## BENCH MARKS

POINT	NORTH	EAST	ELEVATION	CHAIN	STATION	OFFSET	DESCRIPTION
404	2077760.4040	2602969.5170	731.9950	11173	9+46.9498	37.9719' RT	HEADWALL, CHISELED SQUARE
406	2077792.3160	2605768.6860	751.1480	11173	37+41.4059	43.8710' RT	R.O.W MARKER, TOP
407	2077917.1220	2609580.3690	773.1660	11173	75+55.1286	48.6992' RT	CHISELED SQUARE, HEADWALL
410	2077838.4770	2607875.0760	757.9480	11173	58+48.1478	69.3345' RT	TRAFFIC SIGNAL CONTROLLER, CHISELED SQUARE
414	2079390.0460	2615196.7330	841.4940	11173	135+35.9098	41.1996' RT	R.O.W MARKER, TOP
416	2079576.9480	2619927.2010	898.7080	11173	182+90.8516	39.3036' RT	R.O.W MARKER, TOP
417	2079639.5560	2622601.5170	929.1610	11173	209+65.9002	39.8564' RT	R.O.W MARKER, TOP
446	2078359.4540	2613440.2380	815.7640	11173	114+76.0456	56.9799' LT	MISC. CONCRETE SLAB, CHISELED SQUARE
456	2079634.7150	2619073.8600	889.4770	11173	174+39.1124	38.5955' LT	RAILROAD SPIKE, POWER POLE
473	2077811.4430	2607057.7610	754.3390	11173	50+30.3861	68.5718' RT	CHISELED SQUARE, POLE FOUNDATION
474	2079623.4140	2621010.1620	899.3610	11173	193+74.6078	18.4204' RT	PIER, CHISELED SQUARE
482	2078529.6490	2602847.3130	738.4590	11173	6+15.1574	676.6000' LT	R.O.W MARKER, TOP
483	2080998.1730	2604356.8800	753.9640	11173	24+39.3853	3208.1218' LT	POWER POLE, RAILROAD SPIKE
90217	2075461.4560	2601651.5640	741.7200	11173	3+37.8757	2604.6709' RT	PHOTO CONTROL H.& V., PIN
90220	2077047.8470	2602695.9280	739.2970	11173	8+46.1314	792.0912' RT	PHOTO CONTROL H.& V., PIN
90225	2078477.6000	2602715.5870	733.3150	11173	5+03.5804	589.3566' LT	PHOTO CONTROL H.& V., PIN
90227	2078456.0060	2603361.2940	735.8430	11173	13+14.5675	698.1853' LT	PHOTO CONTROL H.& V., PIN
90228	2081560.6390	2603785.7310	750.5030	11173	18+87.6850	3789.6766' LT	PHOTO CONTROL H.& V., PIN
90229	2077005.3530	2603950.2620	736.0110	11173	18+97.2832	768.5697' RT	PHOTO CONTROL H.& V., PIN
90230	2078517.8930	2603990.1280	733.9920	11173	19+88.5386	741.7412' LT	PHOTO CONTROL H.& V., PIN
90231	2079752.5650	2604281.3300	741.2190	11173	23+21.5397	1965.8016' LT	PHOTO CONTROL H.& V., PIN
90235	2077161.9560	2607919.4920	760.5690	11173	58+69.5426	746.9743' RT	PHOTO CONTROL H.& V., PIN
90236	2078526.2240	2607896.5550	759.4010	11173	58+92.9914	617.2850' LT	PHOTO CONTROL H.& V., PIN
90237	2077301.2530	2609465.5760	786.4780	11173	74+19.4680	660.3104' RT	PHOTO CONTROL H.& V., PIN
90243	2078022.3300	2611836.6890	803.2070	11173	98+13.7208	20.2461' RT	GPS CONTROL POINT, PIN
90246	2078302.6180	2613360.2100	816.1370	11173	113+78.6085	35.8702' LT	GPS CONTROL POINT, PIN
90247	2078754.2460	2613295.1980	825.1630	11173	115+09.1215	476.5064' LT	PHOTO CONTROL H.& V., PIN
90248	2080102.1770	2613301.4000	849.2770	11173	124+29.6273	1605.9087' LT	PHOTO CONTROL H.& V., PIN
90258	2078932.9620	2621229.3570	912.9010	11173	195+77.4394	713.8553' RT	PHOTO CONTROL H.& V., PIN
90259	2080320.3900	2621273.4970	889.7340	11173	196+54.3256	672.1437' LT	PHOTO CONTROL H.& V., PIN
90273	2077888.8510	2606466.4640	750.1020	11173	44+42.0620	28.8902' LT	GPS CONTROL POINT, PIN
90274	2079670.3060	2621222.6490	898.9320	11173	195+88.1427	23.4415' LT	GPS CONTROL POINT, PIN
90282	2078859.2030	2602863.5950	735.8090	11173	5+37.3843	997.2592' LT	PHOTO CONTROL H.& V., PIN
90283	2081193.6120	2604295.3870	750.5530	11173	23+84.5709	3405.5381' LT	PHOTO CONTROL H.& V., PIN
92414	2079466.3690	2615211.6620	836.8390	11173	135+75.3303	25.9679' LT	GPS CONTROL POINT, PIN
AH3045	2079518.1920	2617717.4890	879.8160	11173	160+80.3683	45.8697' RT	GPS CONTROL POINT, D2-NETWORK MONUMENT
AH3046	2079554.6260	2615768.6170	843.8600	11173	141+32.8998	36.5690' LT	GPS CONTROL POINT, D2-NETWORK MONUMENT

FILE NAME = #FILES  
 LEVELS = #LEVELS  
 PLOT SCALE = #PLOTS/SCALE  
 PLOT DATE = Mon Dec 03 10:46:43 2007  
 OPERATOR = polzimej  
 REF  
 REF  
 REF

ILLINOIS DEPARTMENT OF TRANSPORTATION

**HORIZONTAL & VERTICAL CONTROL**