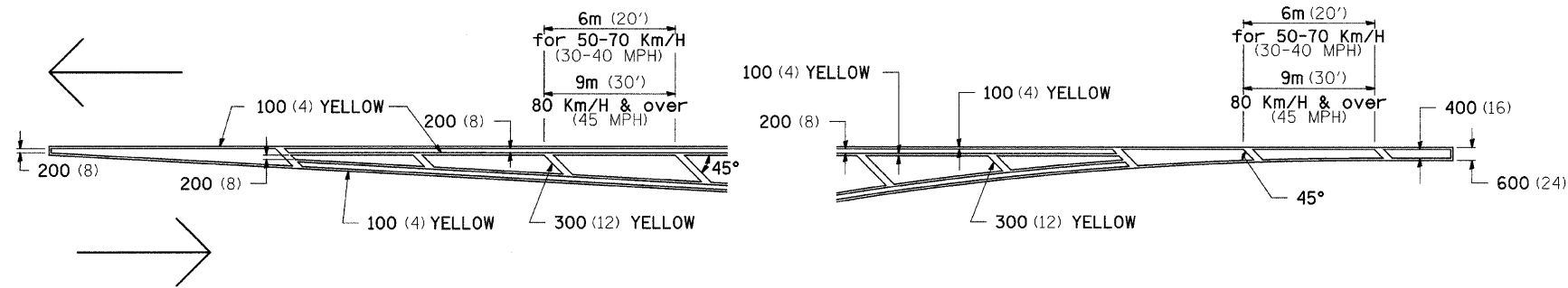


F.A.P. RTE.	SECTION	COUNTY	TOTAL SHEETS	SHEET NO.
•303	129M&TS	WINNEBAGO	110	65
STA.		TO STA.		
FED. ROAD DIST. NO.	ILLINOIS	FED. AID PROJECT		

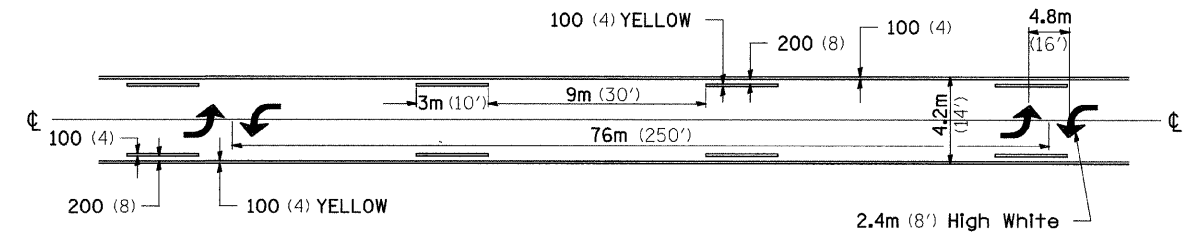
•(IL 173)

TYPICAL PAVEMENT MARKINGS

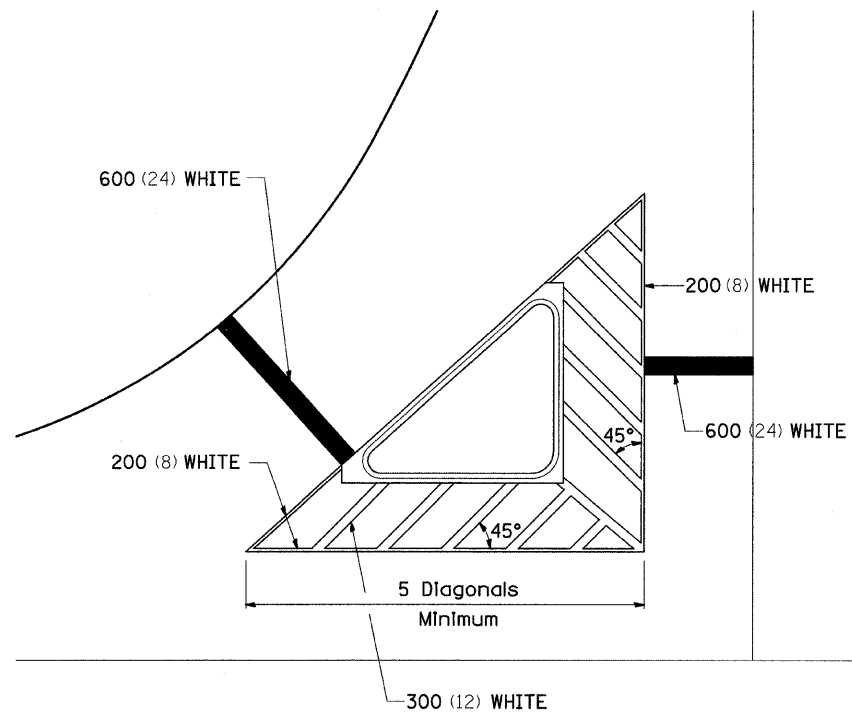
TYPICAL PAVEMENT MARKING FOR FLUSH MEDIAN AT LEFT TURN LANE



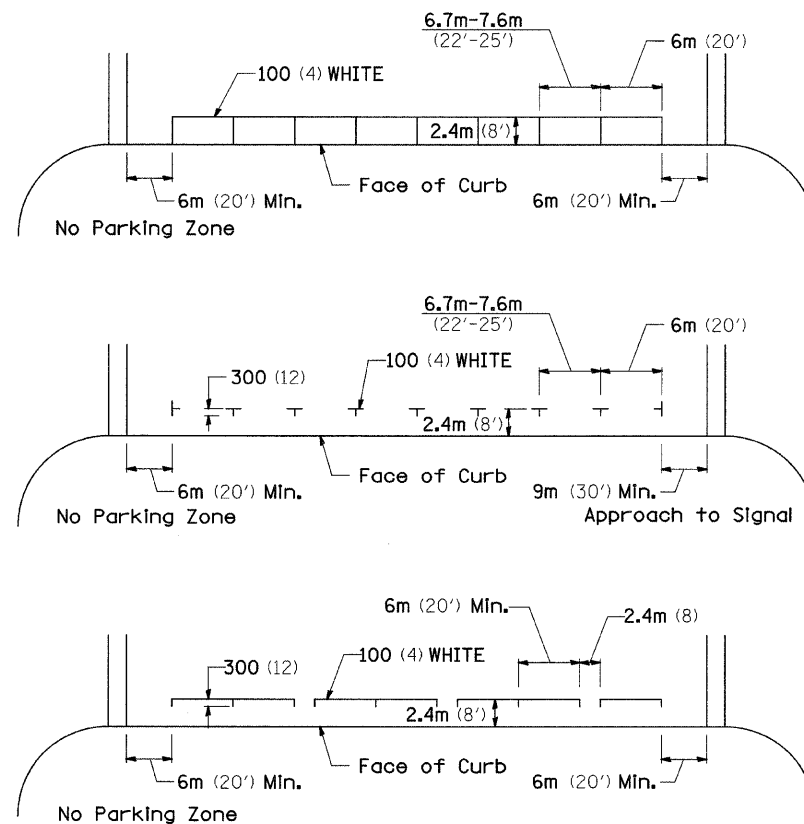
MEDIAN PAVEMENT MARKING



TYPICAL ISLAND OFFSET SHOULDER WIDTH



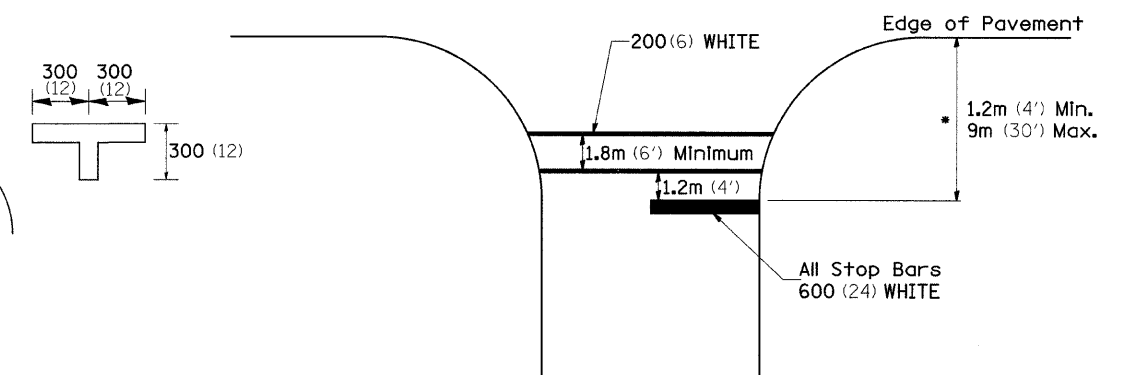
TYPICAL PARKING SPACING



•• ALL DIMENSIONS ARE IN MILLIMETERS (INCHES) UNLESS OTHERWISE NOTED.

STANDARD CROSSWALK MARKING

See Schedules for Locations



• Distance to the nearest edge of the intersecting roadway in the absence of a marked crosswalk.

PLOT DATE = Mon Dec 03 14:36:22 2007
 FILE NAME = c:\pvc\dwg\p\207\707\081707.rvt
 PLOT SCALE = 60.0000 / IN
 REFERENCE = SHEET#