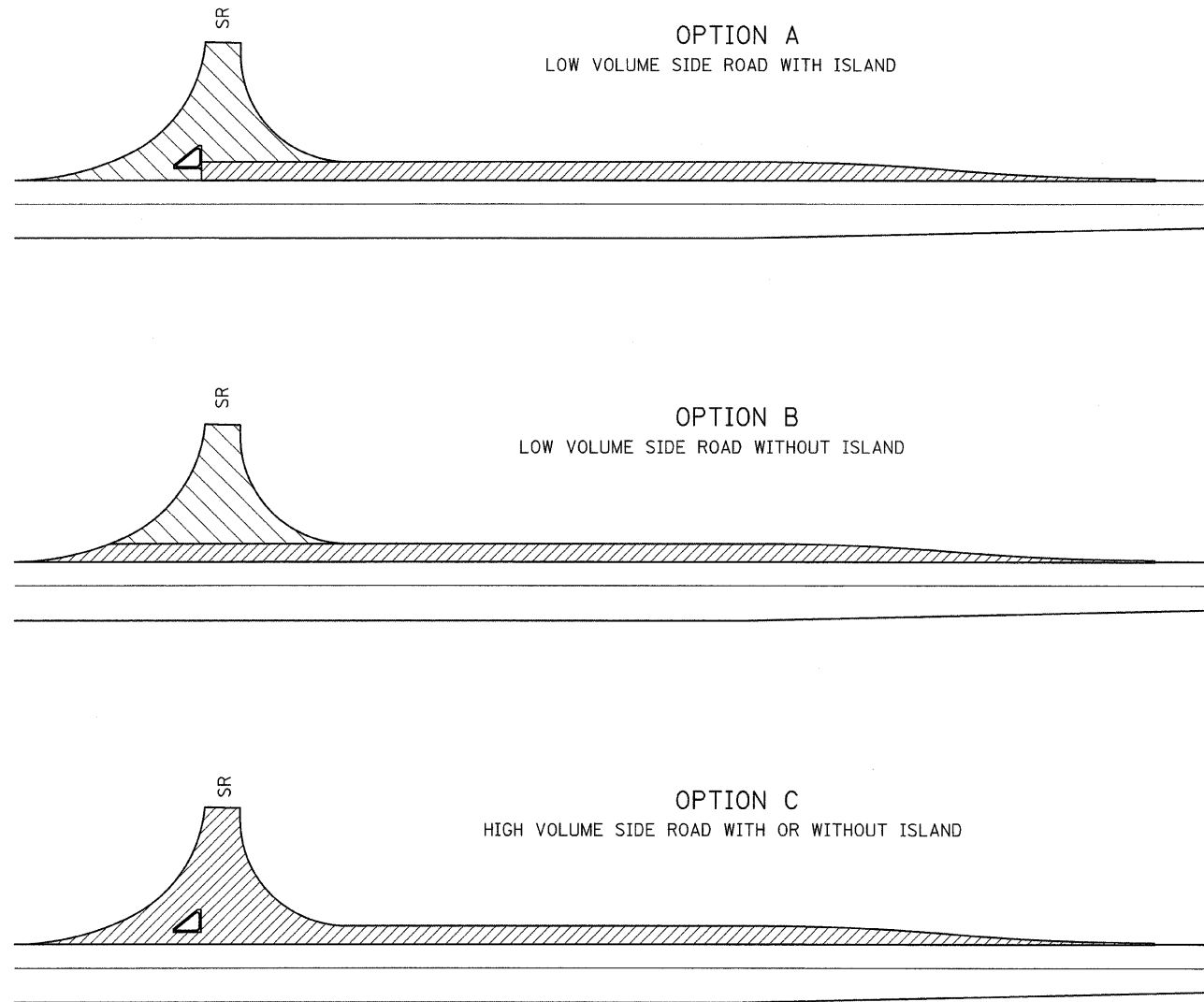


# RIGHT TURN LANE CONSTRUCTION

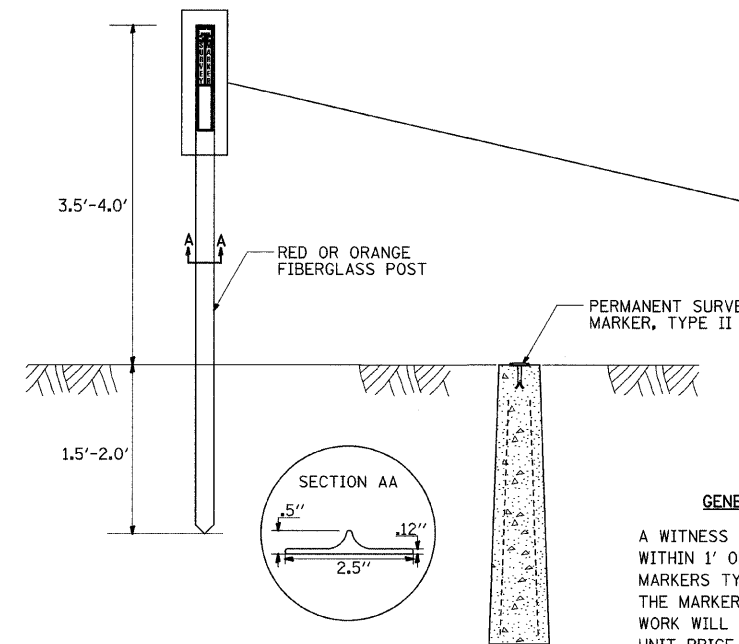


### LEGEND

- HOT-MIX ASPHALT PAVEMENT (FULL DEPTH)
- AGGREGATE BASE WITH HOT-MIX ASPHALT SURFACE

PLOT DATE = Mon Dec 03 14:38:21 2007  
 FILE NAME = c:\p\projects\p289787\jdb9787p1.dgn  
 PLOT SCALE = 80.0000 / 1"  
 REFERENCE = WRC#

# WITNESS MARKER FOR PERMANENT SURVEY MARKERS, TYPE II

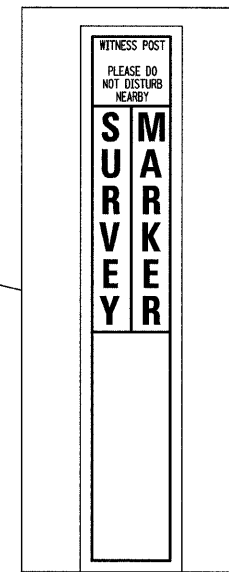


### GENERAL NOTES

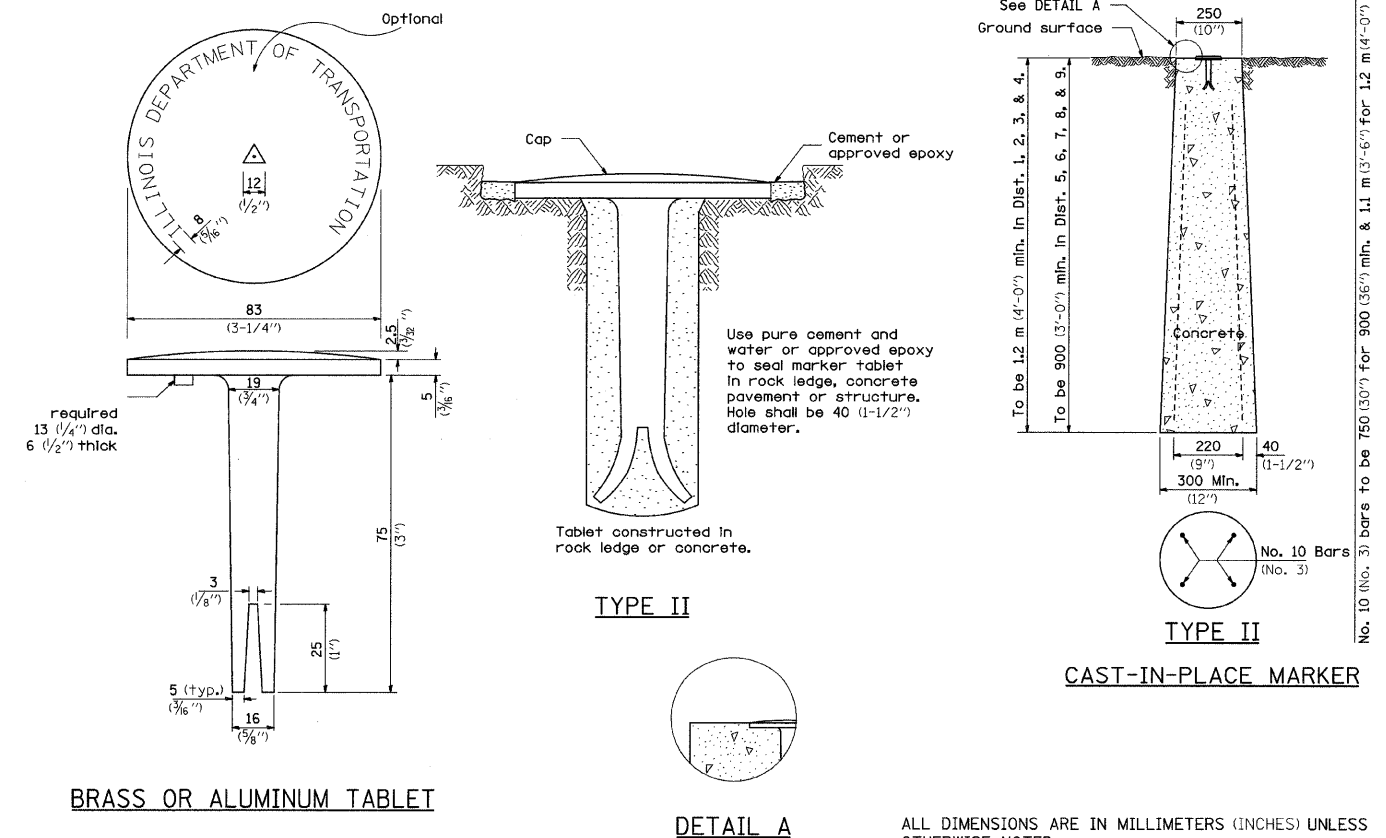
A WITNESS MARKER SHALL BE INSTALLED WITHIN 1' OF ALL PERMANENT SURVEY MARKERS TYPE II EXCEPT IN AREAS WHERE THE MARKER IS IN THE SIDEWALK. THIS WORK WILL BE INCLUDED TO THE CONTRACT UNIT PRICE PER EACH FOR PERMANENT SURVEY MARKERS, TYPE II.

|                     |          |                  |              |
|---------------------|----------|------------------|--------------|
| CONTRACT NO. 64D51  |          |                  |              |
| F.A.P. RTE.         | SECTION  | COUNTY           | TOTAL SHEETS |
| •303                | 129M&TS  | WINNEBAGO        | 110          |
| STA.                | TO STA.  |                  |              |
| FED. ROAD DIST. NO. | ILLINOIS | FED. AID PROJECT |              |

(IL 173)



# PERMANENT SURVEY MARKERS, TYPE II



ALL DIMENSIONS ARE IN MILLIMETERS (INCHES) UNLESS OTHERWISE NOTED.