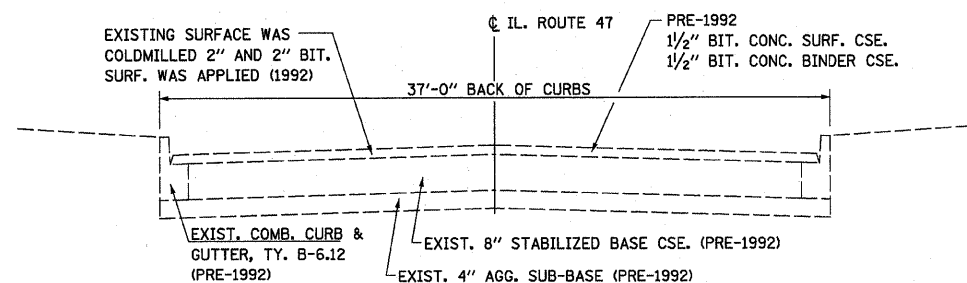
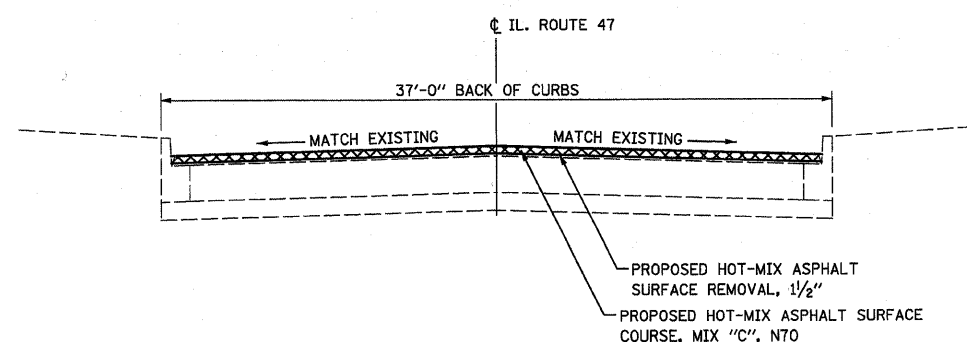


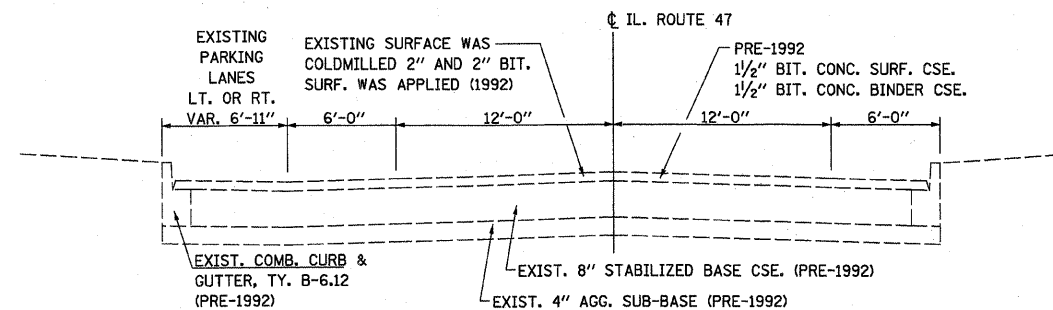
F.A.P. RTE.	SECTION	COUNTY	TOTAL SHEETS	SHEET NO.
326	•	LIVINGSTON	354	12
STA.		TO STA.		
FED. ROAD DIST. NO.	ILLINOIS	FED. AID PROJECT		
•(123,123X)RS-3, (124)RS-5, (123) BR-3				



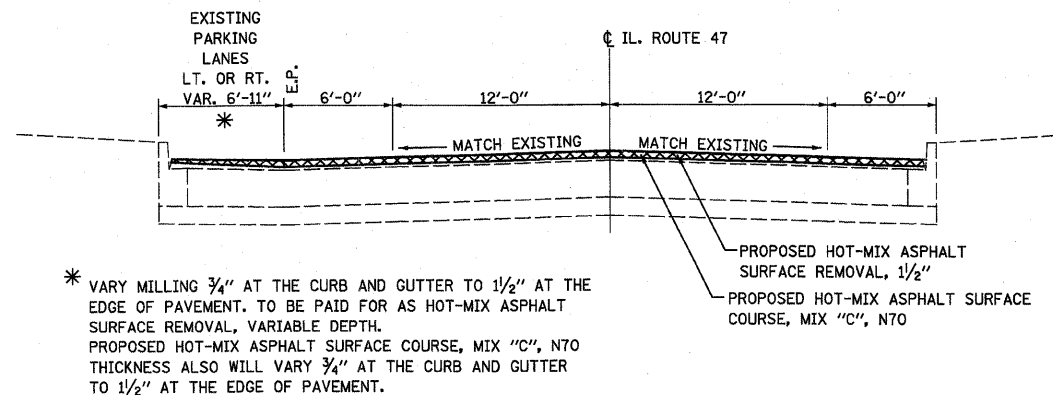
EXISTING TYPICAL URBAN SECTION
 STA. 1252+70 TO STA. 1262+73
 STA. 1272+76 TO STA. 1273+30



PROPOSED TYPICAL URBAN SECTION
 STA. 1252+70 TO STA. 1262+73
 STA. 1272+76 TO STA. 1273+30



EXISTING TYPICAL URBAN SECTION
 STA. 1262+73 TO STA. 1272+76



PROPOSED TYPICAL URBAN SECTION
 STA. 1262+73 TO STA. 1272+76

REVISIONS	
NAME	DATE

ILLINOIS DEPARTMENT OF TRANSPORTATION
 TYPICAL SECTIONS
 FAP ROUTE 326 (IL 47)

SCALE: VERT.
 HORIZ.
 DATE

DRAWN BY
 CHECKED BY