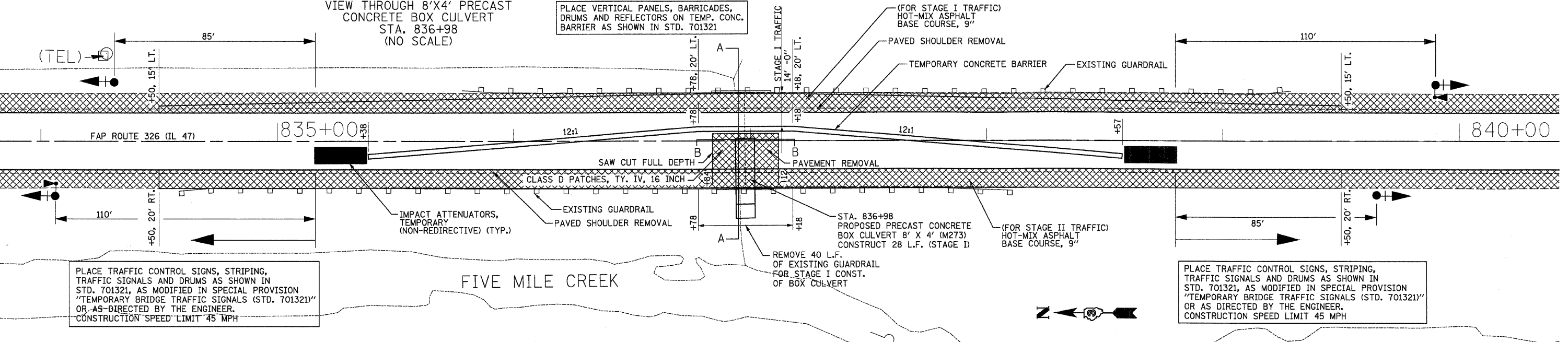
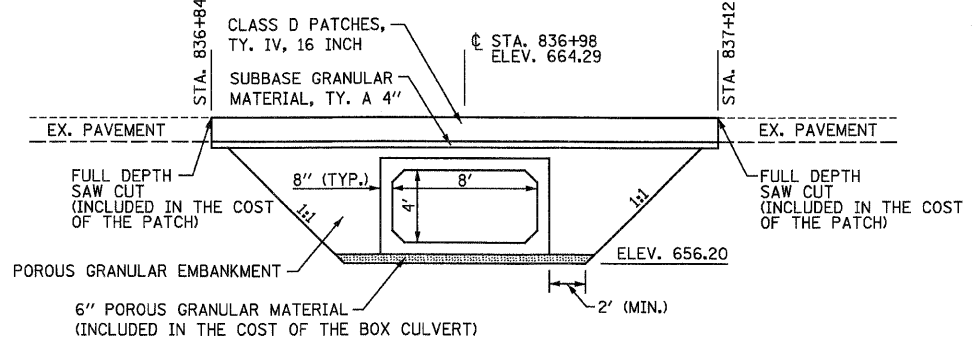
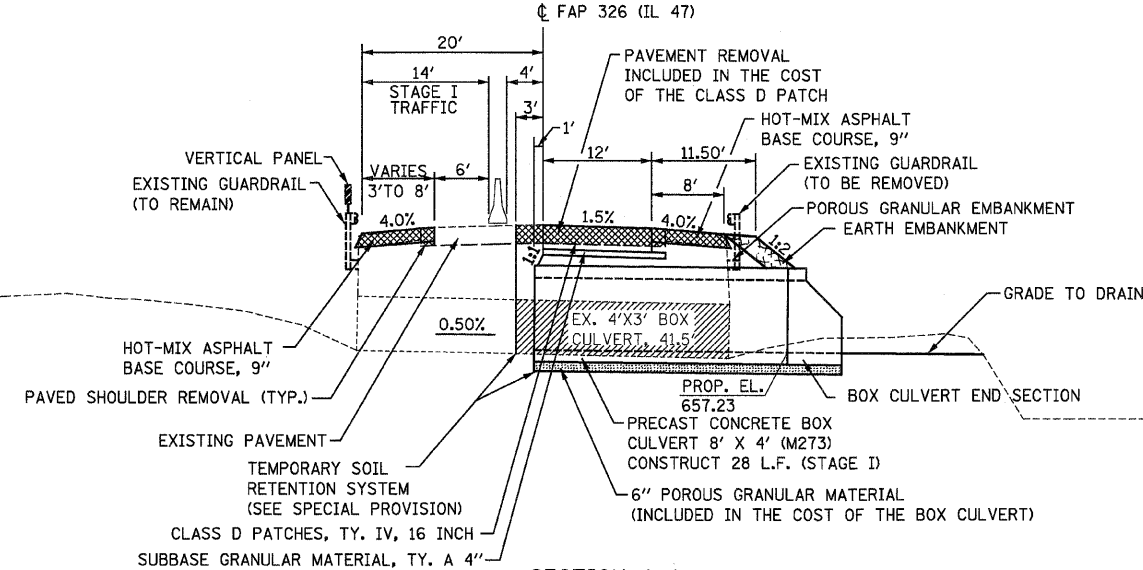





F.A.P. RTE.	SECTION	COUNTY	TOTAL SHEETS	SHEET NO.
326		LIVINGSTON	354	81
STA.		TO STA.		
FED. ROAD DIST. NO.		ILLINOIS FED. AID PROJECT		
		•(123,123)RS-3,(124)RS-5,(123)BR-3		



**STAGE I SEQUENCE OF OPERATIONS**

1. REMOVE THE EXISTING 8' WIDE PAVED SHOULDER ON BOTH SIDES OF THE EXISTING PAVEMENT AS SHOWN IN THESE DETAILS. THE EXISTING GUARDRAIL SHALL REMAIN IN PLACE FOR STAGE I OPERATIONS.
2. CONSTRUCT HOT-MIX ASPHALT BASE COURSE, 9" LT. OF THE EXISTING PAVEMENT.
3. INSTALL TEMPORARY TRAFFIC SIGNALS, ATTENUATORS, CONCRETE BARRIERS, DRUMS, STRIPING AND ALL OTHER ITEMS PER THESE DETAILS, TRAFFIC CONTROL AND PROTECTION STANDARD 701321 AND AS MODIFIED IN SPECIAL PROVISION "TEMPORARY BRIDGE TRAFFIC SIGNALS (STD. 701321)". MAINTAIN ALL TRAFFIC ON NORTHBOUND LANE.
4. INSTALL THE TEMPORARY SOIL RETENTION SYSTEM (SEE SPECIAL PROVISION). REMOVE THE STAGE I PORTION OF THE EXISTING PAVEMENT, CULVERT AND GUARDRAIL AS SHOWN IN THESE DETAILS.
5. CONSTRUCT THE STAGE I PORTION OF THE PRECAST CONCRETE BOX CULVERT, GRANULAR EMBANKMENT, CLASS D PATCH AND HOT-MIX ASPHALT BASE COURSE, 9" RT. OF THE EXISTING PAVEMENT AS SHOWN IN THESE DETAILS.

-  - REMOVAL ITEMS
-  - PROPOSED SIGNAL HEAD W/BACKPLATE
-  - PROPOSED SIGNAL HEAD W/BACKPLATE AND MICROWAVE DETECTOR

REVISIONS	
NAME	DATE

ILLINOIS DEPARTMENT OF TRANSPORTATION

STATION 836+98  
STAGE I CONSTRUCTION PLANS

SCALE: VERT. DATE  
HORIZ. DRAWN BY  
CHECKED BY