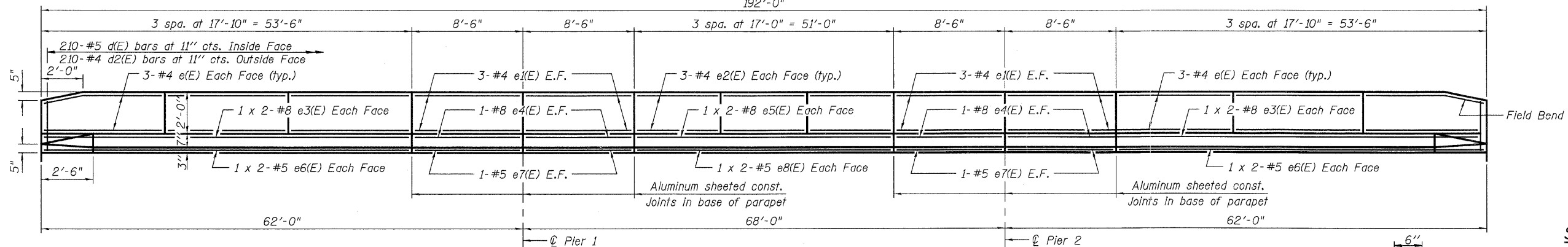


STATE OF ILLINOIS  
DEPARTMENT OF TRANSPORTATION

SHEET 8  
OF 18

F.A.P. RTE.	SECTION	COUNTY	TOTAL SHEETS	SHEET NO.
326	(123)BR-3	LIVINGSTON	354	130
FED. ROAD DIST. NO.		ILLINOIS FED. AID PROJECT	CONTRACT NO. 66601	



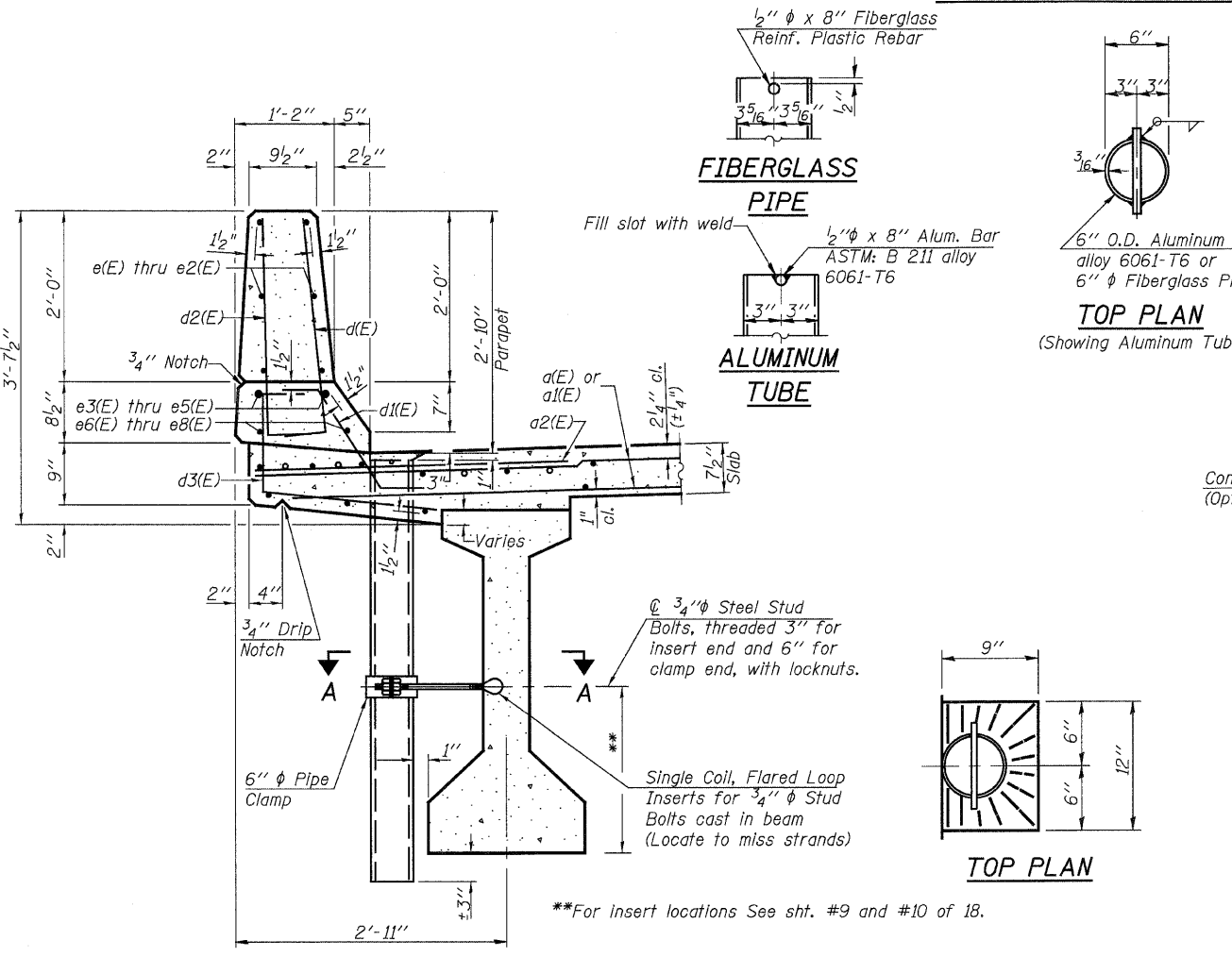
INSIDE ELEVATION OF PARAPET

**MIN. BAR LAP**  
#5 Bar = 2'-2"  
#8 Bar = 4'-6"

**SUPERSTRUCTURE BILL OF MATERIAL**

Bar	No.	Size	Length	Shape
a(E)	538	#5	18'-1"	—
a1(E)	538	#5	20'-1"	—
a2(E)	614	#5	4'-6"	—
b(E)	252	#5	33'-9"	—
b1(E)	76	#6	26'-0"	—
b2(E)	252	#5	29'-3"	—
d(E)	420	#5	3'-0"	—
d1(E)	408	#5	2'-5"	—
d2(E)	420	#4	3'-0"	—
d3(E)	420	#4	3'-8"	—
d4(E)	12	#5	2'-5"	—
e(E)	72	#4	17'-6"	—
e1(E)	48	#4	8'-2"	—
e2(E)	36	#4	16'-8"	—
e3(E)	16	#8	28'-10"	—
e4(E)	16	#8	8'-2"	—
e5(E)	8	#8	27'-7"	—
e6(E)	16	#5	27'-8"	—
e7(E)	16	#5	8'-2"	—
e8(E)	8	#5	26'-5"	—
m(E)	4	#6	17'-6"	—
m1(E)	6	#6	18'-3"	—
m2(E)	24	#6	9'-6"	—
m3(E)	24	#6	4'-10"	—
m4(E)	4	#6	1'-10"	—
m5(E)	6	#6	3'-3"	—
m6(E)	6	#6	20'-3"	—
m7(E)	4	#6	19'-6"	—
m8(E)	12	#8	5'-6"	—
m9(E)	40	#4	5'-10"	—
s(E)	72	#5	6'-11"	—
s1(E)	64	#4	9'-10"	—
s2(E)	52	#4	9'-6"	—
v(E)	76	#5	3'-6"	—
Reinforcement Bars, Epoxy Coated		Lbs.	55570	
Concrete Superstructure		Cu. Yds.	258.6	

Reinforcement bars designated (E) shall be epoxy coated.



SECTION THRU PARAPET

TOP PLAN

Non-staining gray one component non-sag elastomeric gun grade polyurethane sealant meeting the requirements of ASTM C-920, Type S, Grade NS, Class 25, Use T.

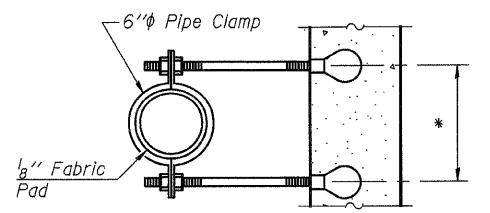
PARAPET JOINT DETAILS

Notes:  
Fiberglass pipe shall conform to ASTM D2996, with short-time rupture strength hoop tensile stress of 30,000 p.s.i. minimum.  
The exterior surfaces of the floor drains shall be coated or pigmented by the manufacturer with a color that matches the concrete.  
The clamping device and inserts shall be galvanized according to AASHTO M 232.

**JD Johnson, Depp & Quisenberry**  
CONSULTING ENGINEERS  
Springfield, Illinois

DESIGNED: CDB	DRAWN: P. Ray
CHECKED: DCD	CHECKED: CDB/DCD

PI-1-D 10-22-04



SECTION A-A

**SUPERSTRUCTURE DETAILS**  
ILLINOIS 47 OVER  
NORTH FORK VERMILION RIVER  
FAP ROUTE 326 SECTION (123)BR-3  
LIVINGSTON COUNTY  
STATION 949+25.00  
STRUCTURE NO. 053-0179

FILE: J:\DDA\10036 IL47 Livingston P12\1-VermilionRiver\08superstr4.dgn USER: DCD DATE: 11/29/2007 10:54:4