

STATE OF ILLINOIS
DEPARTMENT OF TRANSPORTATION

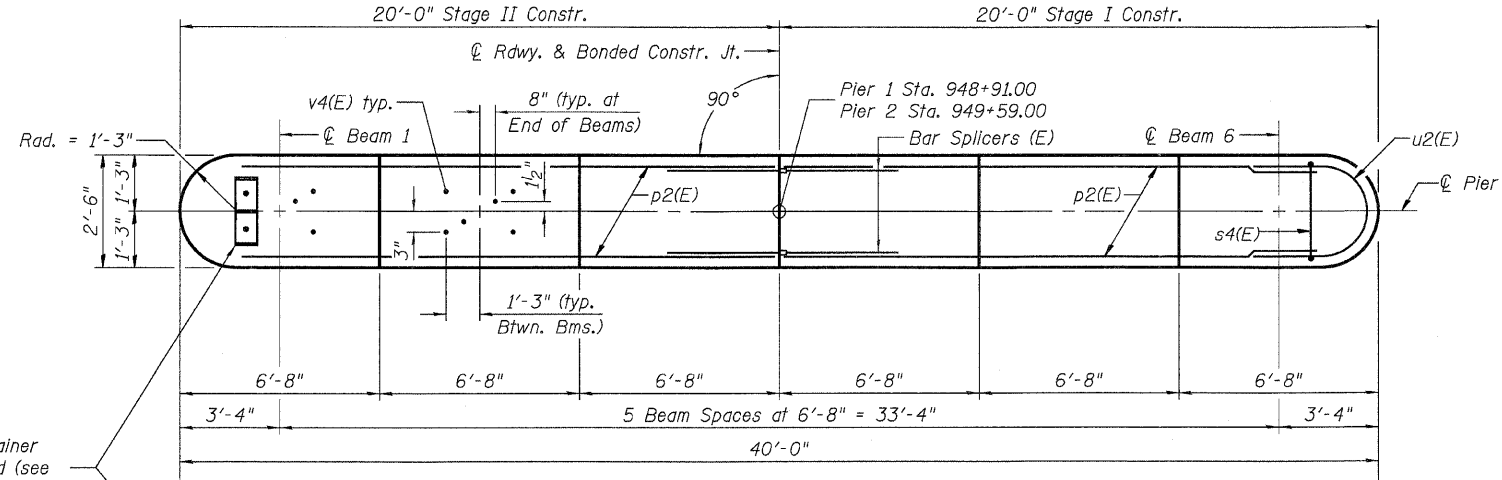
SHEET 14
OF 18

F.A.P. RTE.	SECTION	COUNTY	TOTAL SHEETS	SHEET NO.
326	(123)BR-3	LIVINGSTON	354	136
FED. ROAD DIST. NO.	ILLINOIS	FED. AID PROJECT	CONTRACT NO. 66601	

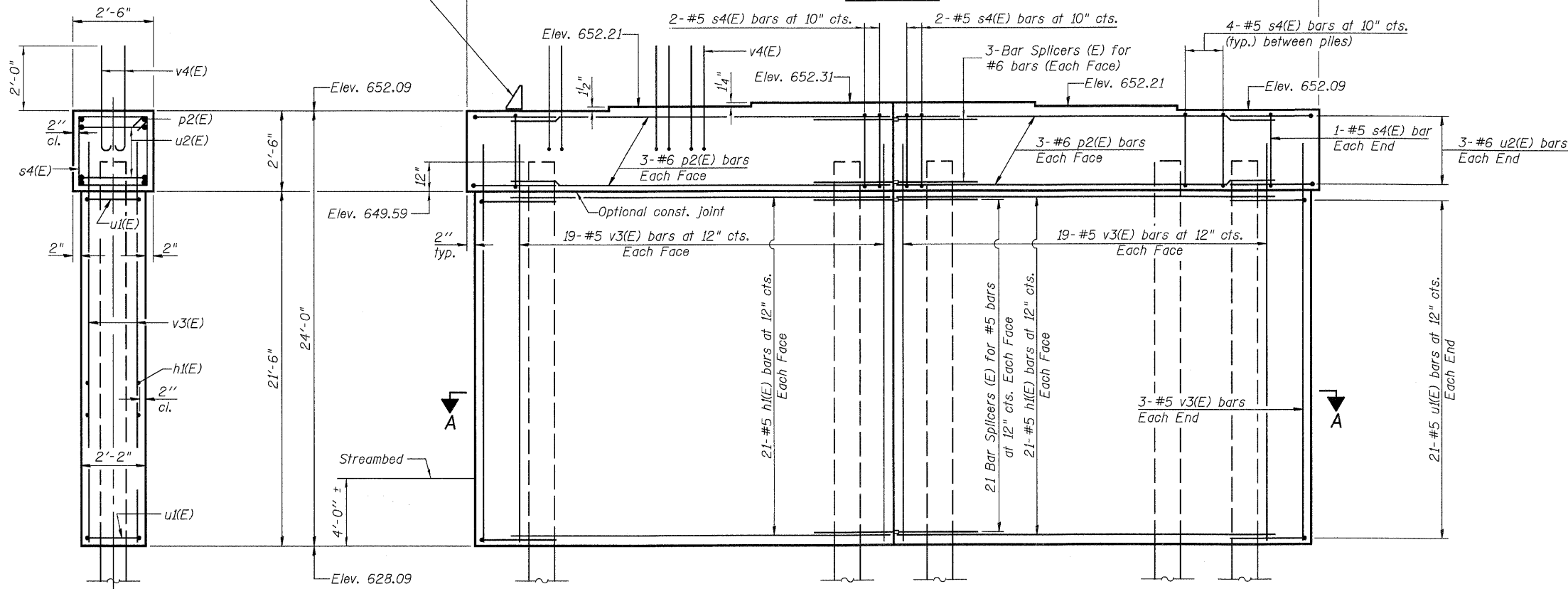
Notes:
Pour steps monolithically with cap.

PILE DATA

Type: HP 12x53
Nominal Required Bearing: 348 kips
Allowable Resistance Available: 116 kips
Est. Length: 80' (Pier 1), 70' (Pier 2)
No. Production Piles: 9 (each Pier)
No. Test Piles: 1 (each Pier)

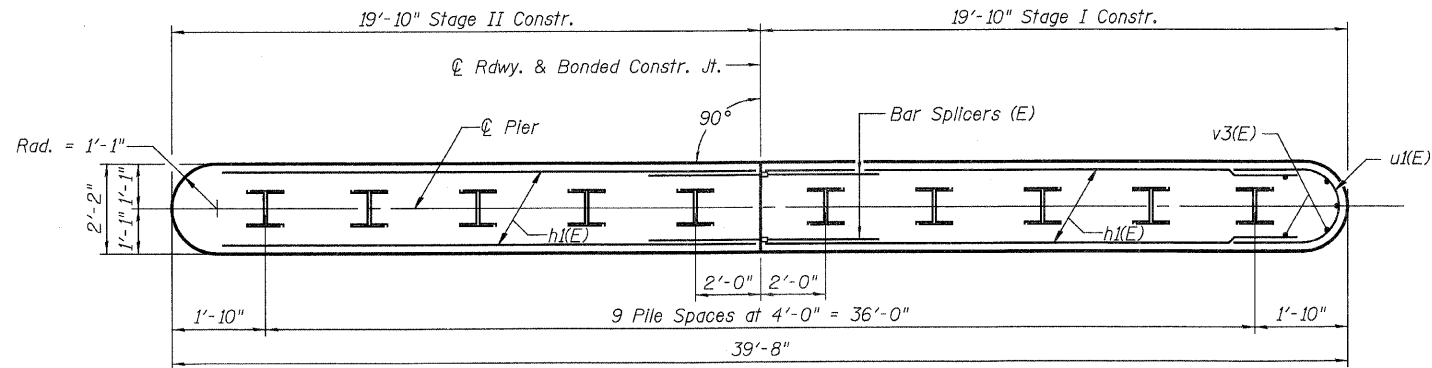


TOP PLAN

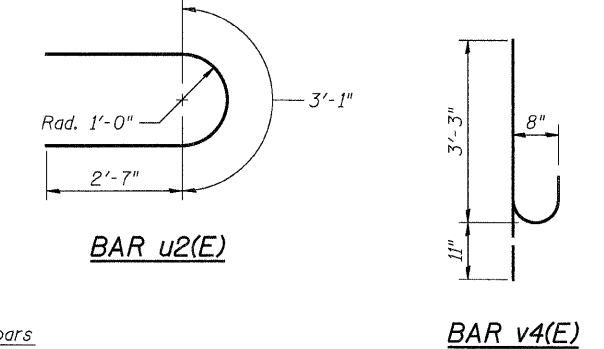
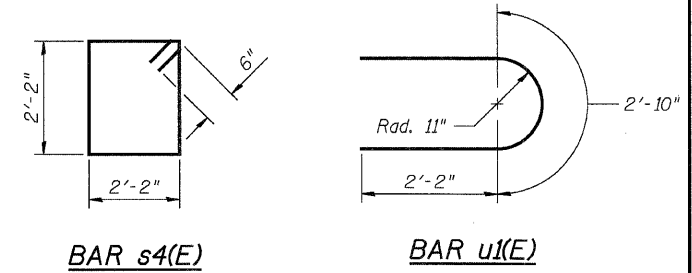


ELEVATION
(Looking South)

END VIEW



SECTION A-A



BILL OF MATERIAL

Bar	No.	Size	Length	Shape
h1(E)	84	#5	18'-7"	—
p2(E)	12	#6	18'-7"	—
s4(E)	38	#5	9'-8"	□
u1(E)	42	#5	7'-2"	U
u2(E)	6	#6	8'-3"	U
v3(E)	82	#5	22'-8"	—
v4(E)	30	#8	4'-2"	U

Concrete Structures	Cu. Yd.	77.1	
Reinforcement Bars, Epoxy Coated	Pound	5010	
Structure Excavation	Cu. Yd.	40	
Furnishing Steel Piles HP12x53	Foot	720	Pier 1
		630	Pier 2
Driving Piles	Foot	720	Pier 1
		630	Pier 2
Test Pile Steel HP12x53	Each	1	Pier 1
		1	Pier 2

Reinforcement Bars designated (E) shall be epoxy coated.
Bill of Material for 1 Pier only, except as noted.

PIERS 1 AND 2
ILLINOIS 47 OVER
NORTH FORK VERMILION RIVER
FAP ROUTE 326 SECTION (123)BR-3
LIVINGSTON COUNTY
STATION 949+25.00
STRUCTURE NO. 053-0179

DESIGNED: CDB DRAWN: P. Ray
CHECKED: DCD CHECKED: CDB/DCD

FILE: J:\DQ\1036 IL47 Livingston Ph2\VermillionRiver\N1Pier.dgn

USER: DCD

DATE: 11/29/2007 10:56:56