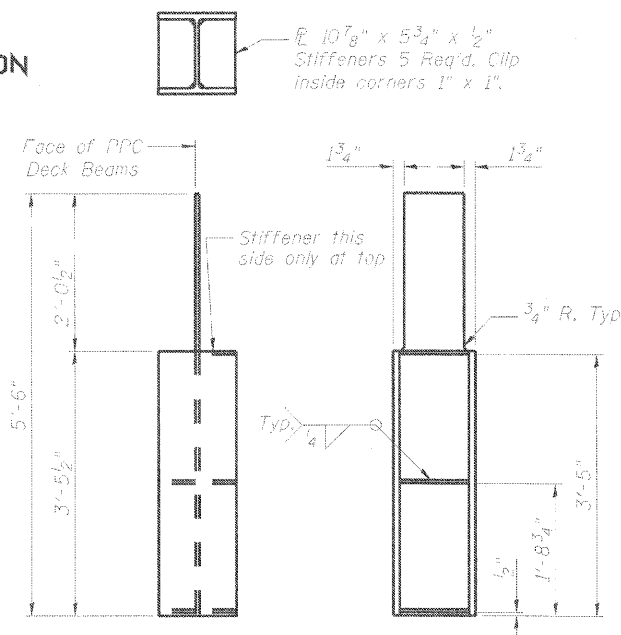
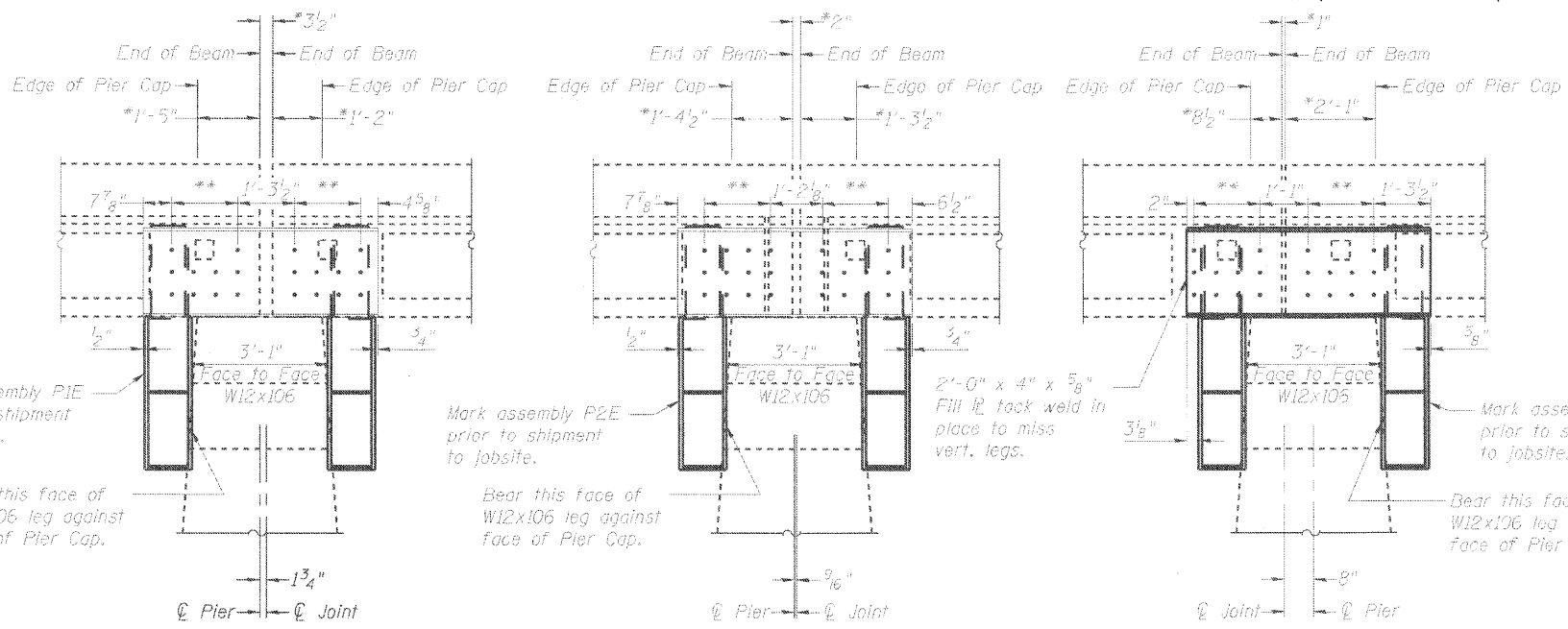


STATE OF ILLINOIS  
DEPARTMENT OF TRANSPORTATION

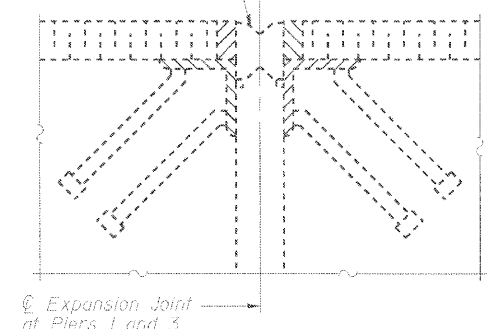
ROUTE NO.	SECTION	COUNTY	LISTING SHEETS	SHEET NO.	SHEET NO. 2 4 SHEETS
		Livingston	354	149	
FED. ROAD DIST. NO. 7		ILLINOIS		FED. AID PROJECT	

EXISTING SN. 053-0050 EMERGENCY  
REPAIR PLANS - FOR INFORMATION ONLY -  
STRUCTURE TO BE REMOVED

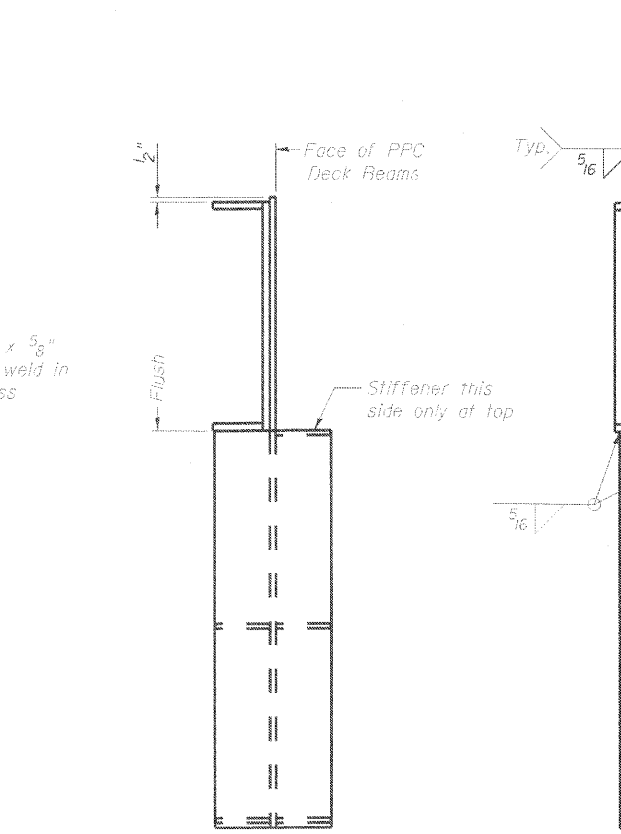
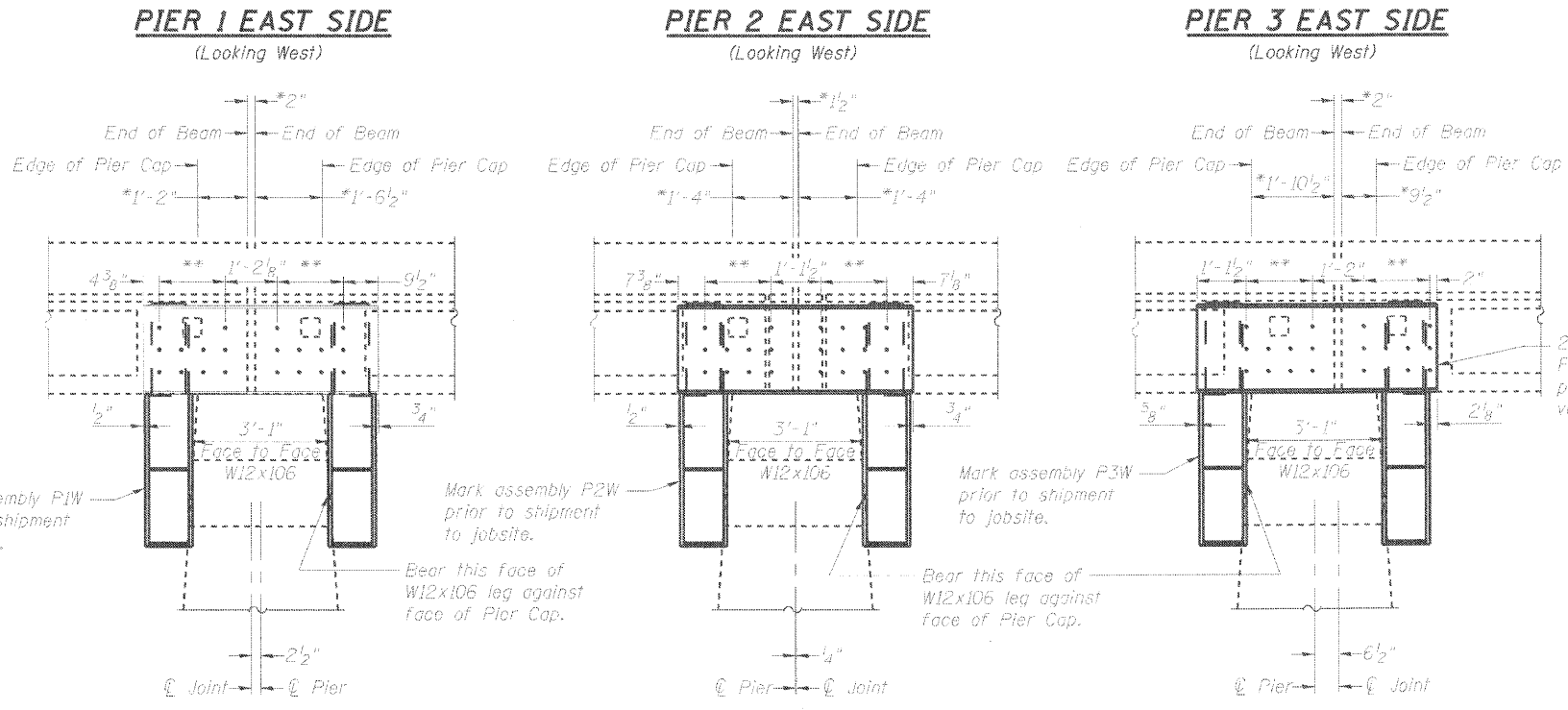
Existing PJS to be removed  
full width of deck and void  
filled with non-shrink grout.  
Paid for as Grout Repair.



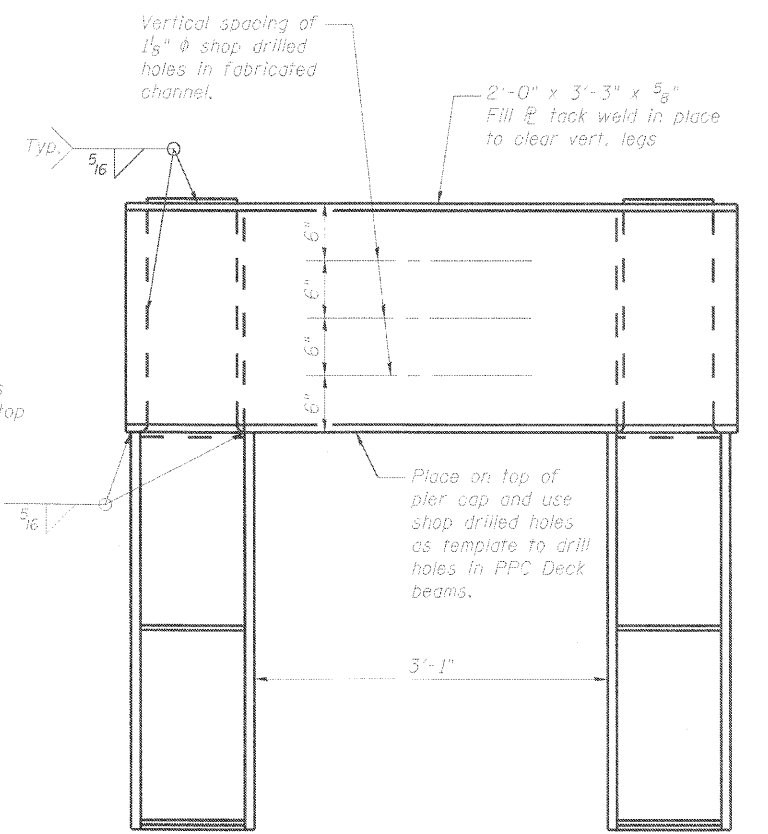
TYPICAL BRACKET LEG DETAIL



EXPANSION JOINT DETAIL

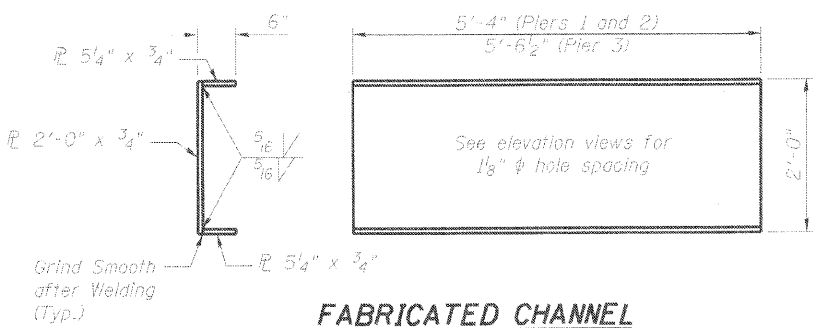


TYPICAL BRACKET END VIEW



TYPICAL BRACKET ELEVATION

Weld bracket together, with all fill & prior to shop drilling 1/8" holes.



FABRICATED CHANNEL

Note:  
Drill and epoxy grout 1" threaded rods a minimum of 2" into existing PPC Deck Beams according to Article 584 of the Standard Specifications using the Containment Brackets as template

PIER CONTAINMENT BRACKET  
INDIVIDUAL ELEVATION DETAIL  
S.B.I. RT. 47  
LIVINGSTON COUNTY  
SN 053-0050

\*Field measurements taken September 27, 2004.

\*\* 3 Spaces at 6" = 1'-6"

DESIGNED	J.S.B.
CHECKED	A.T.H.
DRAWN	Drew Christopher
CHECKED	J.S.B. A.T.H.

October 1, 2004  
EXAMINED John A. Morris  
ENGINEER OF STRUCTURAL SERVICES  
PASSED Ralph E. Anderson  
ENGINEER OF BRIDGES AND STRUCTURES