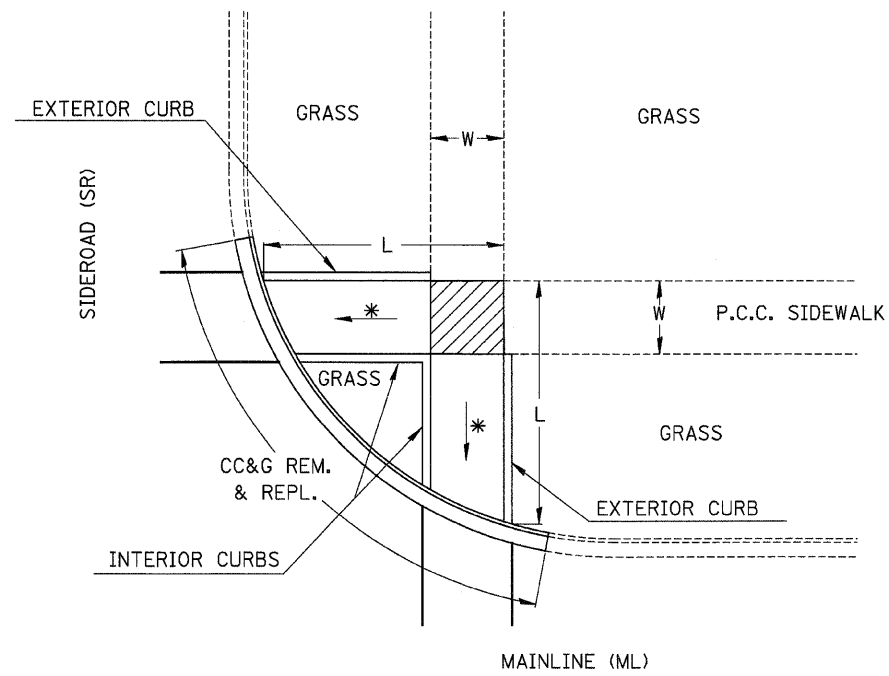


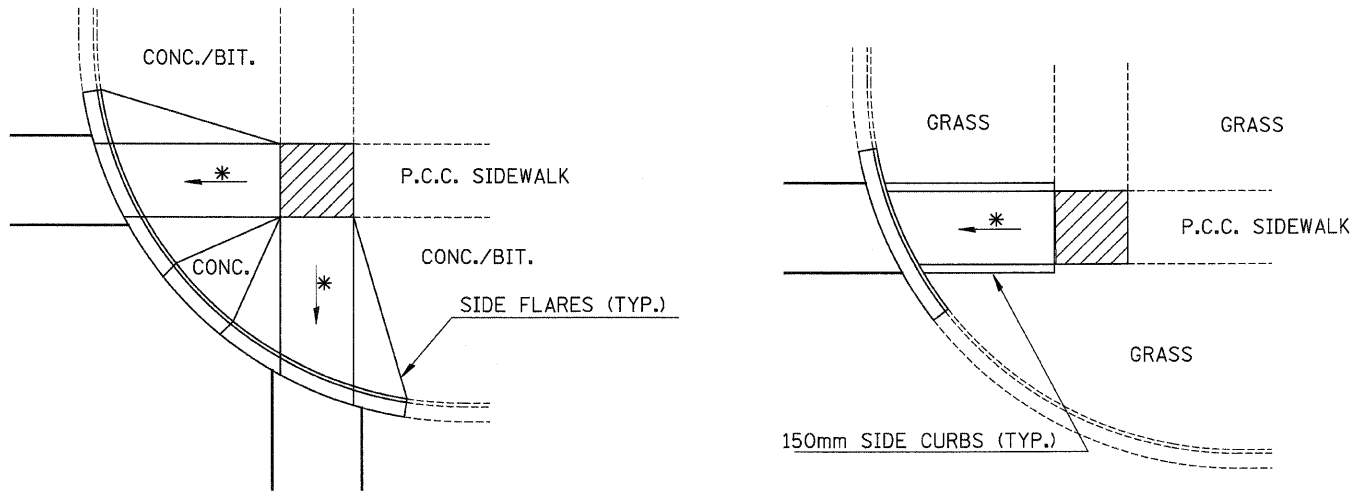
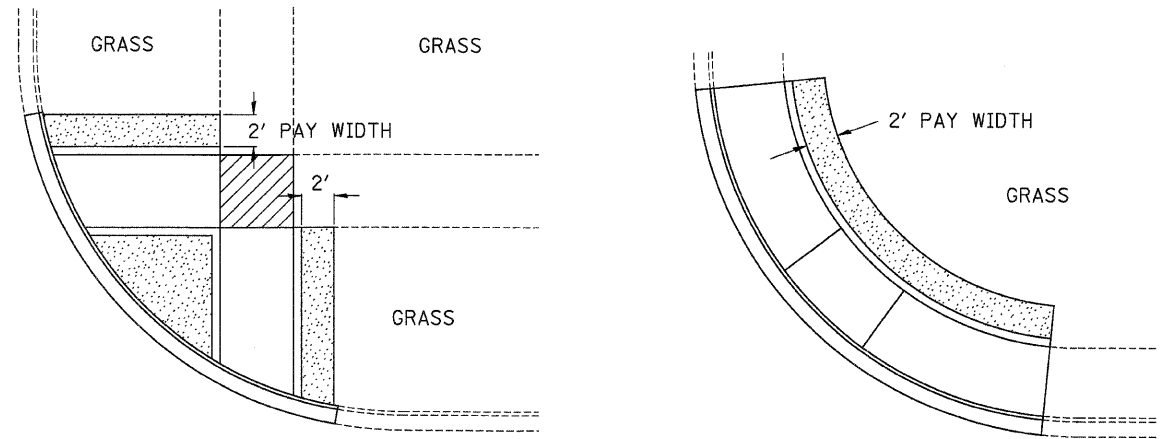
F.A.P. RTE.	SECTION	COUNTY	TOTAL SHEETS	SHEET NO.
326		LIVINGSTON	354	164
STA.		TO STA.		
FED. ROAD DIST. NO.		ILLINOIS FED. AID PROJECT		
		*(123,123)RS-3, (124)RS-5, (123)BR-3		



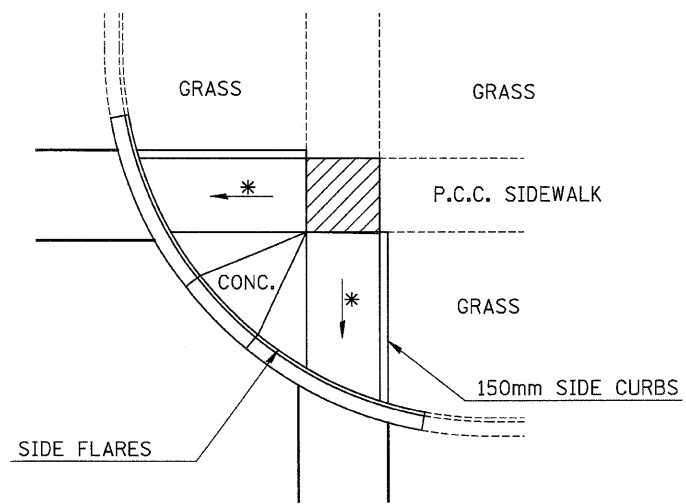
LEGEND

	SLOPE = 2%
*	SLOPE = 1:12 MAX.

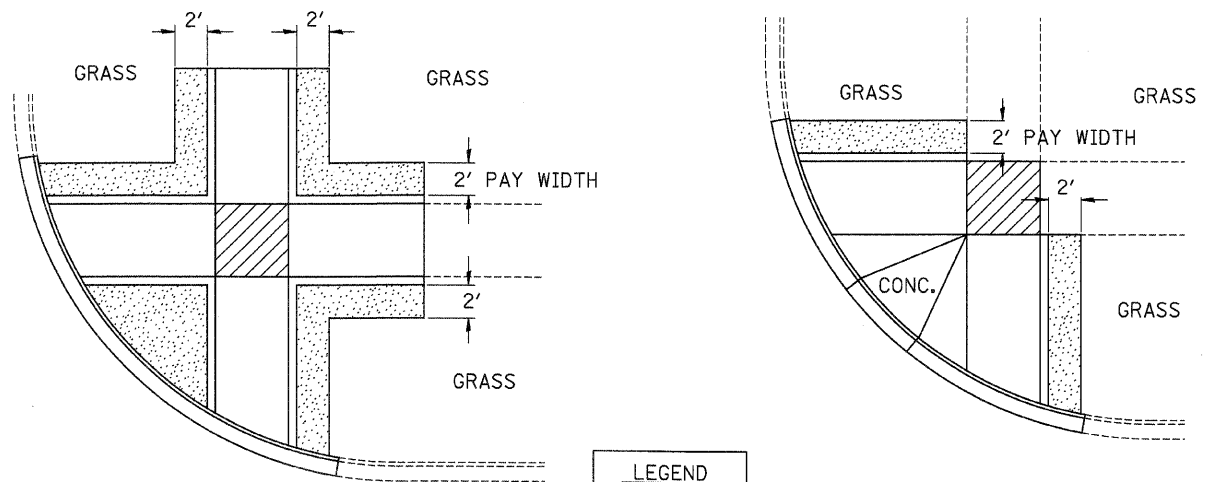
METHOD 1



TYPICAL CURB APPLICATIONS FOR METHOD 1



ADA SIDEWALK ACCESSIBILITY RAMPS



LEGEND

	SOD
--	-----

TYPICAL SODDING DETAILS FOR SIDEWALK RAMPS

REVISIONS	
NAME	DATE

ILLINOIS DEPARTMENT OF TRANSPORTATION

ADA SIDEWALK ACCESSIBILITY RAMPS (METHOD 1)

SCALE: VERT. _____
 HORIZ. _____

DATE _____ DRAWN BY _____
 CHECKED BY _____