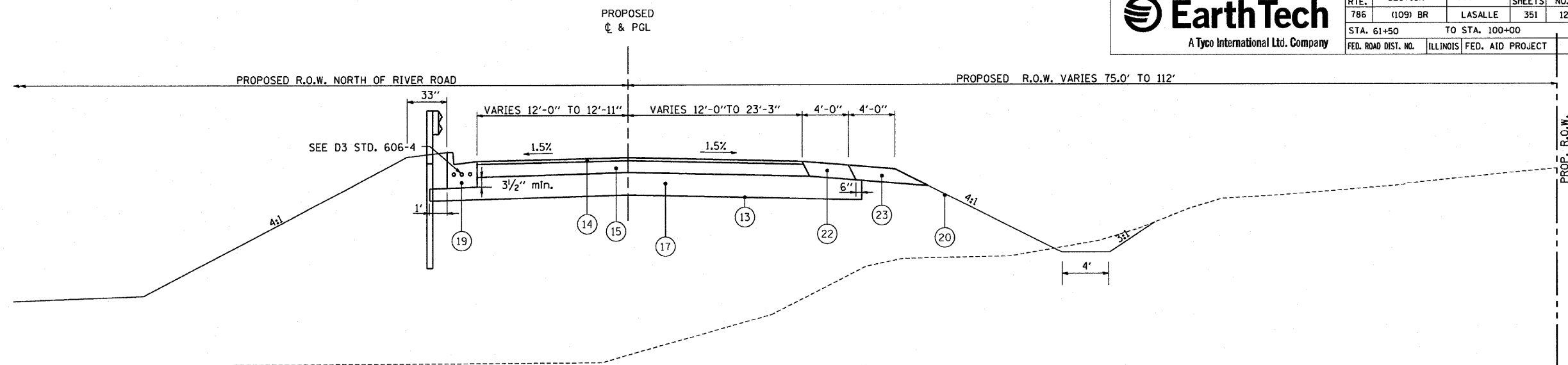
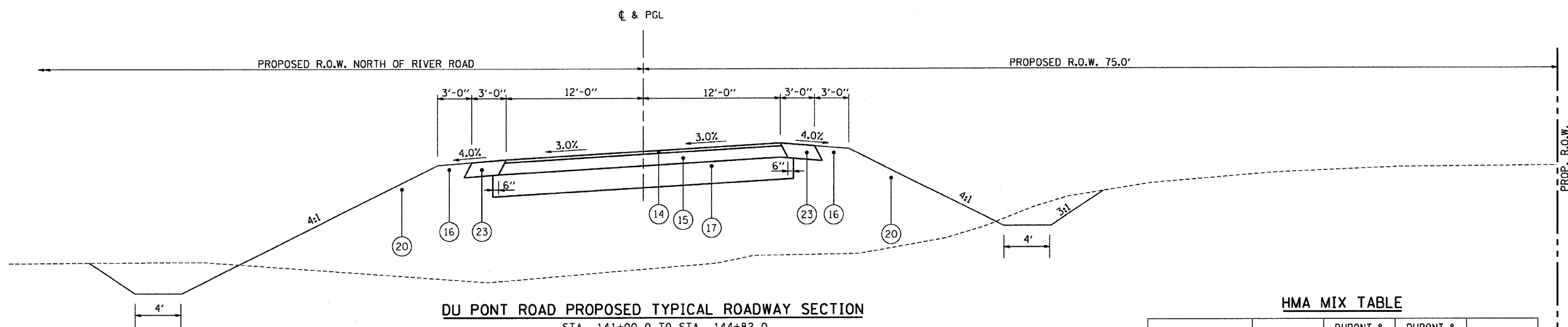




F.A.P. RTE.	SECTION	COUNTY	TOTAL SHEETS	SHEET NO.
786	(109) BR	LASALLE	351	12
STA. 61+50		TO STA. 100+00		
FED. ROAD DIST. NO.		ILLINOIS FED. AID PROJECT		



DUPONT ROAD PROPOSED TYPICAL ROADWAY SECTION
STA. 140+73.0 TO 141+00.0



DUPONT ROAD PROPOSED TYPICAL ROADWAY SECTION
STA. 141+00.0 TO STA. 144+82.0

S. E. TRANSITIONS:
FROM 1.5% @ STA. 141+01.0 TO 3.0% @ STA. 141+84.0
FROM 3.0% @ STA. 144+00.0 TO 1.5% @ STA. 144+83.0

LEGEND

- | | | |
|---|--|---|
| ① EXISTING BITUMINOUS CONCRETE OVERLAY, 3" | ⑮ PROPOSED POLYMERIZED HOT-MIX ASPHALT BINDER COURSE, IL-19.0, N50, 5" | ⑳ PAVEMENT REMOVAL |
| ② EXISTING P.C.C. PAVEMENT, 7" | ⑯ PROPOSED POLYMERIZED HOT-MIX ASPHALT BINDER COURSE, IL-19.0, N50, 6 1/2" | ㉑ PROPOSED BITUMINOUS MATERIALS (PRIME COAT) |
| ③ EXISTING BITUMINOUS PAVEMENT, 9" W. OF IL RTE 170) | ⑰ PROPOSED AGGREGATE SUBGRADE, 12" | ㉒ TYPE B GUTTER |
| ④ EXISTING BITUMINOUS PAVEMENT, 6/75" (E. OF IL RTE 170) | ⑱ PROPOSED AGGREGATE SHOULDER, TYPE A, 6" | ㉓ PROPOSED EARTH SHOULDER |
| ⑤ EXISTING AGGREGATE SHOULDER | ㉒ PROPOSED COMBINATION CONCRETE CURB AND GUTTER, TYPE B-6.24 | ㉔ PROPOSED HOT-MIX ASPHALT SURFACE REMOVAL, 1 1/2" |
| ⑥ EXISTING P.C.C. BASE COURSE WIDENING, 9" | ㉓ PROPOSED TOPSOIL PLACEMENT, 4" AND SEEDING OR SODDING (SEE PLANS) | ㉕ PROPOSED POLYMERIZED HOT-MIX ASPHALT SURFACE COURSE, MIX D, N50, 1 1/2" |
| ⑦ EXISTING COMB. CONC. CURB & GUTTER TY B.6-24 | ㉔ PROPOSED PCC SIDEWALK, 4" (SEE PLANS FOR LOCATIONS) | ㉖ PROPOSED COMBINATION CONC. CURB AND GUTTER, TYPE B-6.12 |
| ⑧ EXISTING P.C.C. SIDEWALK | ㉕ PROPOSED HOT-MIX ASPHALT SHOULDERS, 6 1/2" | ㉗ PROPOSED SUB-BASE GRANULAR MATERIAL, TYPE A 4" |
| ⑨ EXISTING STEEL PLATE BEAM GUARDRAIL | ㉖ PROPOSED AGGREGATE SHOULDER, TYPE A, 6 1/2" | ㉘ PROPOSED PORTLAND CEMENT CONCRETE DRIVEWAY, 8" |
| ⑩ EXISTING AGGREGATE SHOULDER | ㉗ PROPOSED STEEL PLATE BEAM GUARDRAIL, TYPE A (SEE PLANS FOR LOCATION) | ㉙ PROPOSED SUB-BASE GRANULAR MATERIAL TYPE A, 8" |
| ⑪ PROPOSED PORTLAND CEMENT CONCRETE PAVEMENT, 9.5" | ㉘ PROPOSED INCIDENTAL HOT-MIX ASPHALT SURFACING, 6" | ㉚ PROPOSED PCC SHOULDER, 9.5" |
| ⑫ PROPOSED SUB-BASE GRANULAR MATERIAL, TYPE A 12" | | ㉛ REMOVE AND REERECT STEEL PLATE BEAM GUARDRAIL |
| ⑬ GEOTECHNICAL FABRIC FOR GROUND STABILIZATION | | ㉜ PROPOSED SUB-BASE GRANULAR MATERIAL, TYPE C |
| ⑭ PROPOSED POLYMERIZED HOT-MIX ASPHALT SURFACE COURSE, MIX D, N50, 1 1/2" | | |

HMA MIX TABLE

	IL 170 POLYMER HMA SURFACE	DUPONT & RIVER RD. POLYMER HMA BINDER FULL DEPTH	DUPONT & RIVER RD. POLYMER HMA SURFACE FULL DEPTH	INCIDENTAL HMA
PG GRADE	SBSPG 70-22	SBSPG 70-22	SBSPG 70-22	PG64-22
MAX. % RAP ALLOWABLE**	10%	10%	10%	15%
DESIGN AIR VOIDS	4.0% @ N50	4.0% @ N50	4.0% @ N50	4.0% @ N50
MIXTURE COMPOSITION	IL 12.5 OR IL 9.5	IL 19.0	IL 12.5 OR IL 9.5	IL 12.5 OR IL 9.5
FRICTION AGGREGATE	MIXTURE D		MIXTURE D	MIXTURE D
DENSITY CONTROL METHOD	CORES/NUCLEAR	CORES/NUCLEAR	CORES/NUCLEAR	CORES/NUCLEAR

** IF RAP OPTION IS SELECTED, THE ASPHALT CEMENT GRADE MAY NEED TO BE ADJUSTED.

REVISIONS		ILLINOIS DEPARTMENT OF TRANSPORTATION
NAME	DATE	
		ROADWAY TYPICAL SECTIONS DUPONT ROAD IL 170 BRIDGE REPLACEMENT AT SENECA

SCALE: 1" = 50'
DATE: OCTOBER, 2007
DRAWN BY: CJO
CHECKED BY: JCL

PLOT DATE = 10/14/2007
FILE NAME = RTILES
PLOT SCALE = 1/8"=1'-0"
USER NAME = prajnet