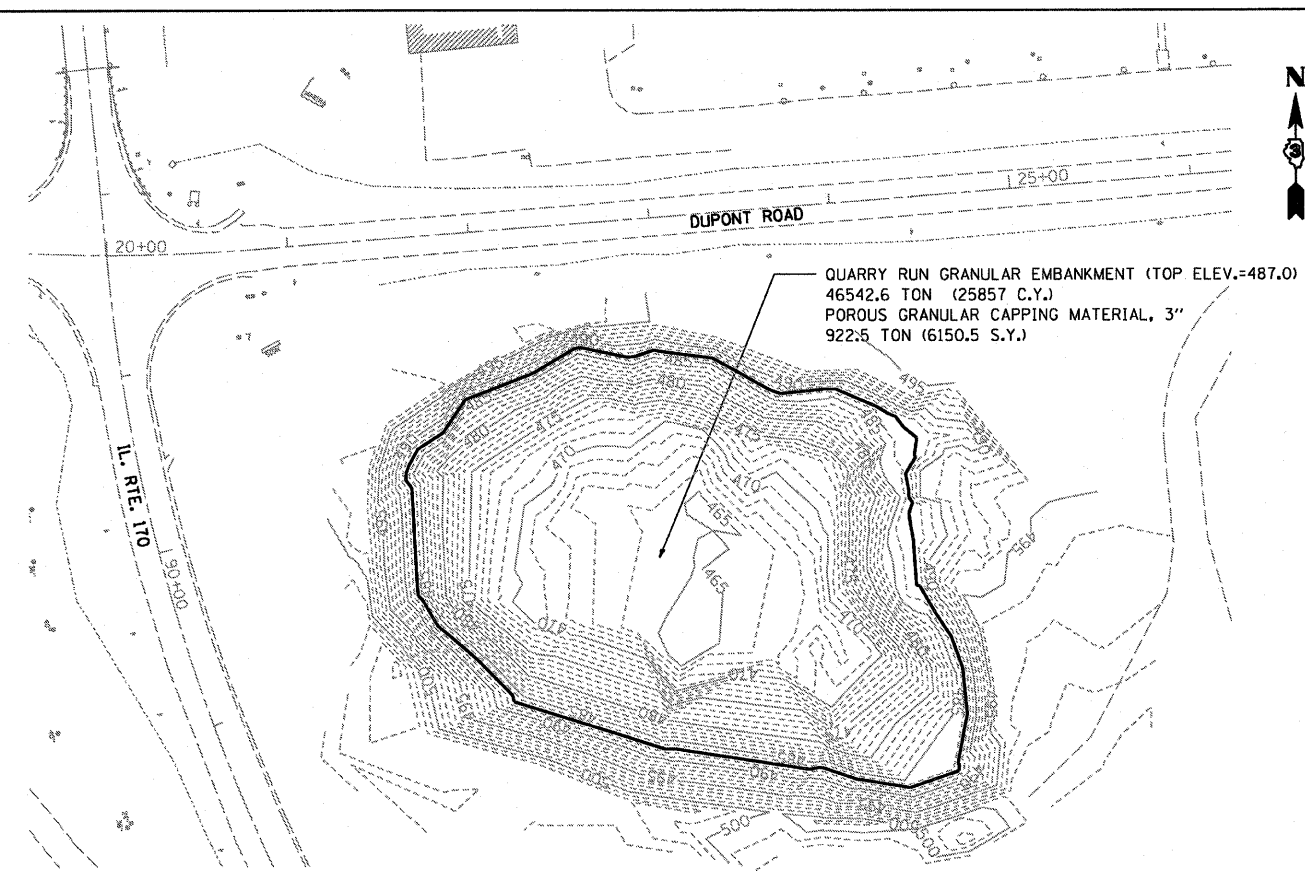


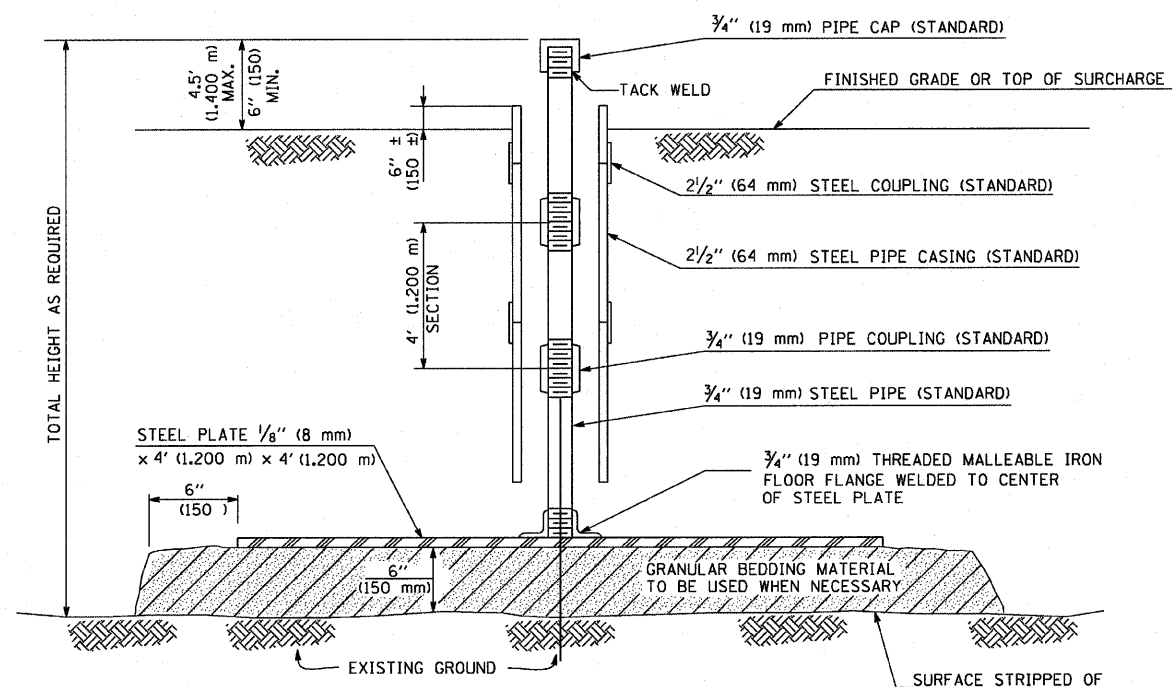


F.A.P. RTE.	SECTION	COUNTY	TOTAL SHEETS	SHEET NO.
786	(109) BR	LASALLE	351	49
STA.		TO STA.		
FED. ROAD DIST. NO.		ILLINOIS FED. AID PROJECT		



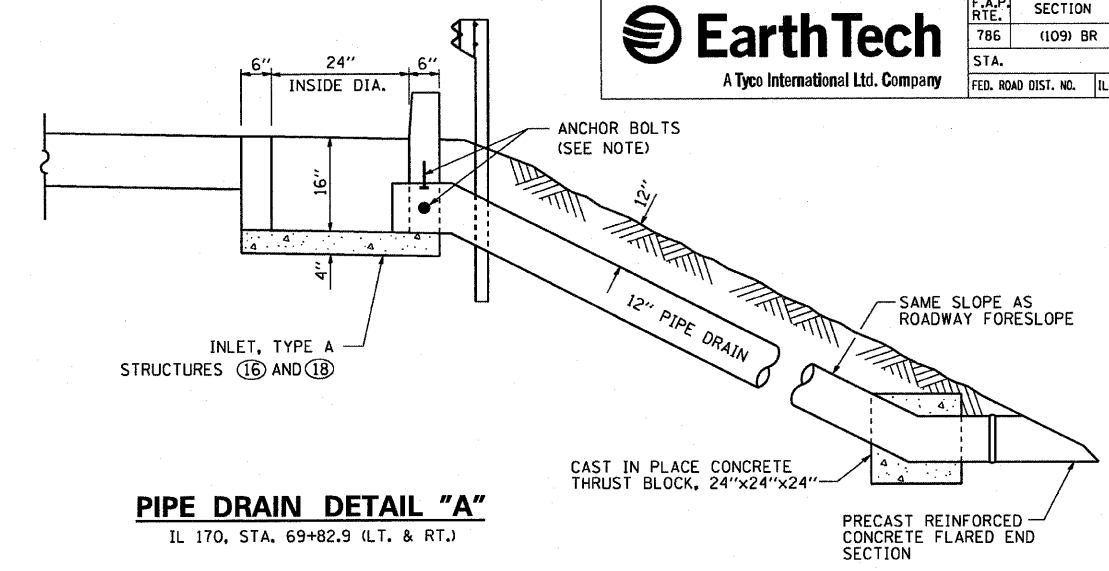
EXISTING POND FILL DETAIL
SCALE: 1"=50'

NOTE: ANY NECESSARY DE-WATERING OF THE POND SHALL BE INCIDENTAL TO QUARRY RUN GRANULAR EMBANKMENT.

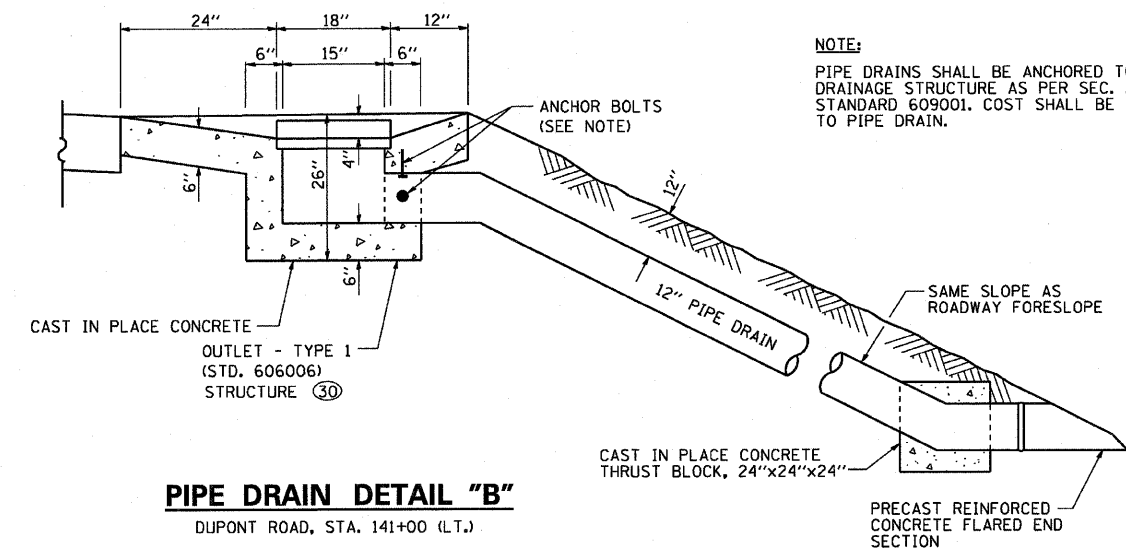


SETTLEMENT PLATFORM DETAIL

- NOTES:
- SEE SECTION 204.06 OF THE STANDARD SPECIFICATIONS FOR ROAD AND BRIDGE CONSTRUCTION.
 - TWO SETTLEMENT PLATFORMS SHALL BE CONSTRUCTED ON EACH SIDE OF THE RIVER AT THE CENTERLINE, THE COST IS INCIDENTAL TO EMBANKMENT.

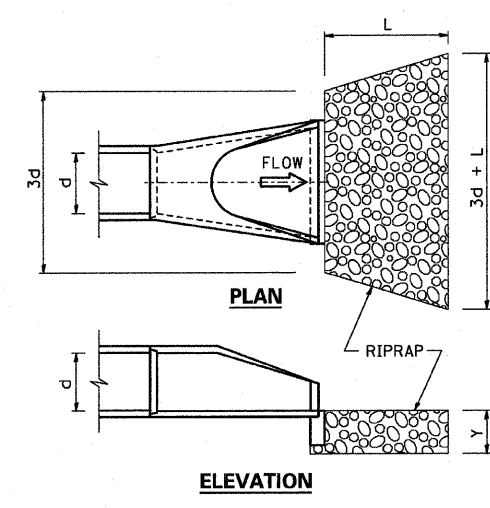


PIPE DRAIN DETAIL "A"
IL 170, STA. 69+82.9 (LT. & RT.)



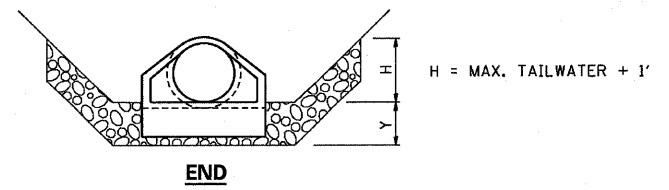
PIPE DRAIN DETAIL "B"
DUPONT ROAD, STA. 141+00 (LT.)

NOTE:
PIPE DRAINS SHALL BE ANCHORED TO THE DRAINAGE STRUCTURE AS PER SEC. A-A OF STANDARD 609001. COST SHALL BE INCIDENTAL TO PIPE DRAIN.



RIPRAP DETAIL

STRUCTURE NUMBER	INLET PIPE SIZE d (IN)	GRADATION	LENGTH OF APRON L (FT)	MEDIAN RIPRAP SIZE C (IN)	WIDTH OF APRON U/S FACE 3d (FT)	WIDTH OF APRON D/S FACE 3d+L (FT)	TOP OF RIPRAP ELEVATION H	DEPTH OF RIPRAP Y (IN)
25	30"	RR-3	18	5	7.5		2.5'	15
27	30"	RR-3	18	5	7.5		2.5'	15
29	30"	RR-3	18	5	7.5		2.5'	15
33	24"	RR-3	16	5	6.0	22.0		15
42	42"	RR-4	22	9	10.5		2.5'	21
47	24"	RR-3	16	5	6.0	22.0	2.5'	15



REVISIONS	
NAME	DATE

ILLINOIS DEPARTMENT OF TRANSPORTATION
CONSTRUCTION DETAILS

SCALE: N.T.S.
DATE: OCTOBER, 2007
DRAWN BY: CJO
CHECKED BY: JCL

DATE = 10/1/2007
FILE NAME = WFILE1
PLOT SCALE = 1/8"=1'-0"
USER NAME = Project