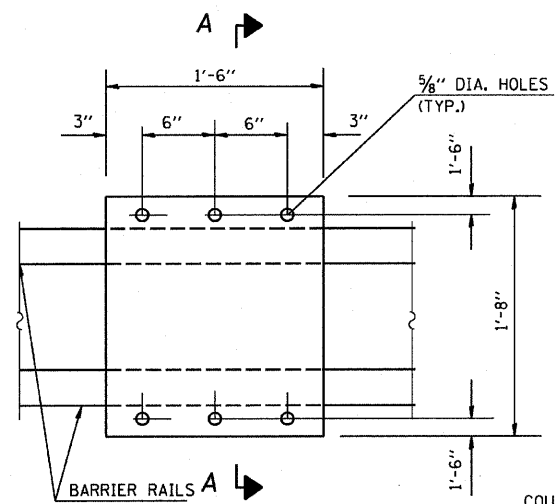
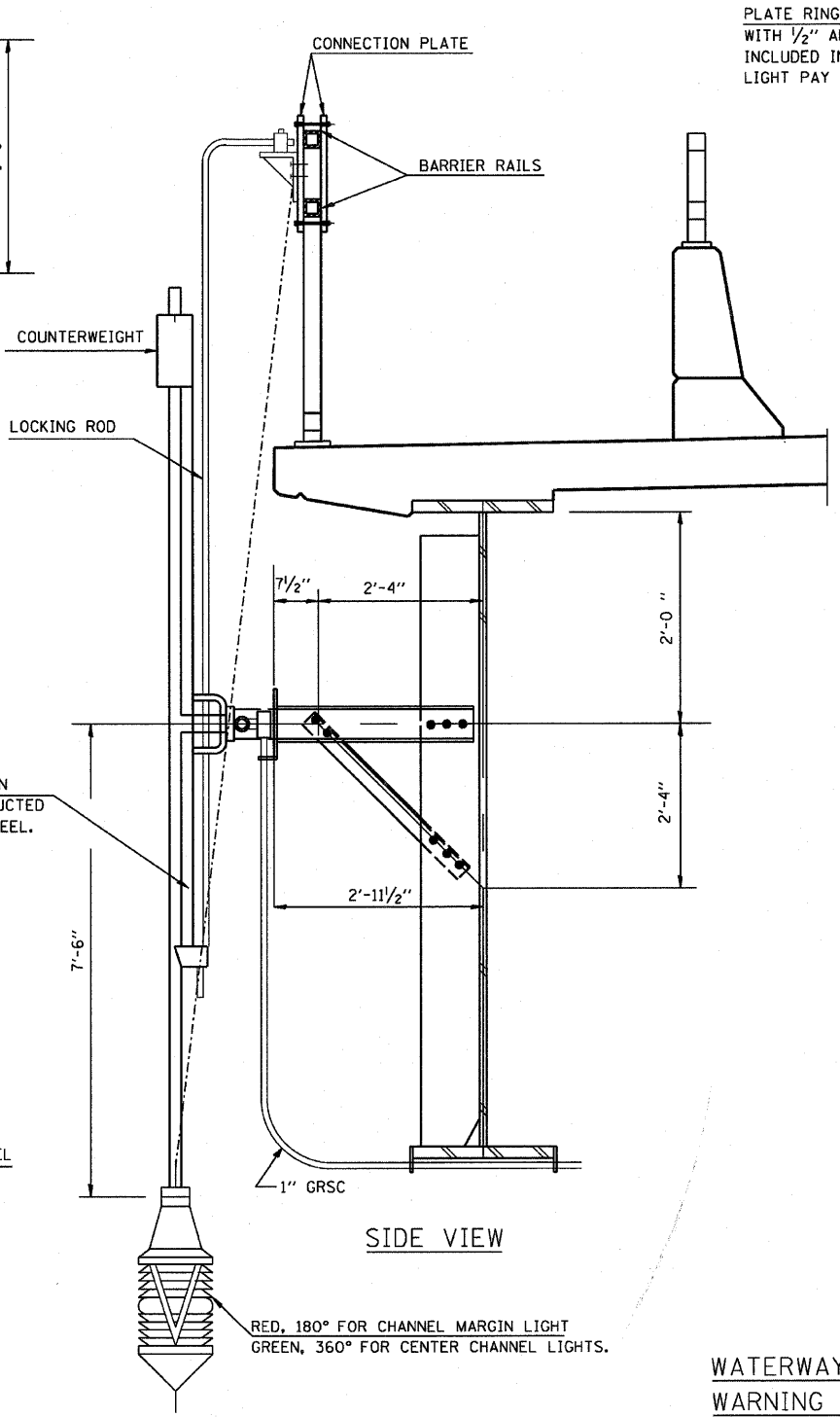


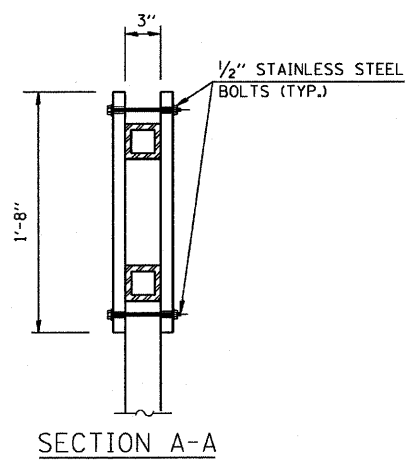
F.A.P. RTE.	SECTION	COUNTY	TOTAL SHEETS	SHEET NO.
786	(109) BR	LASALLE	351	188
STA.		TO STA.		
FED. ROAD DIST. NO.	ILLINOIS	FED. AID PROJECT		



CONNECTION PLATE DETAILS



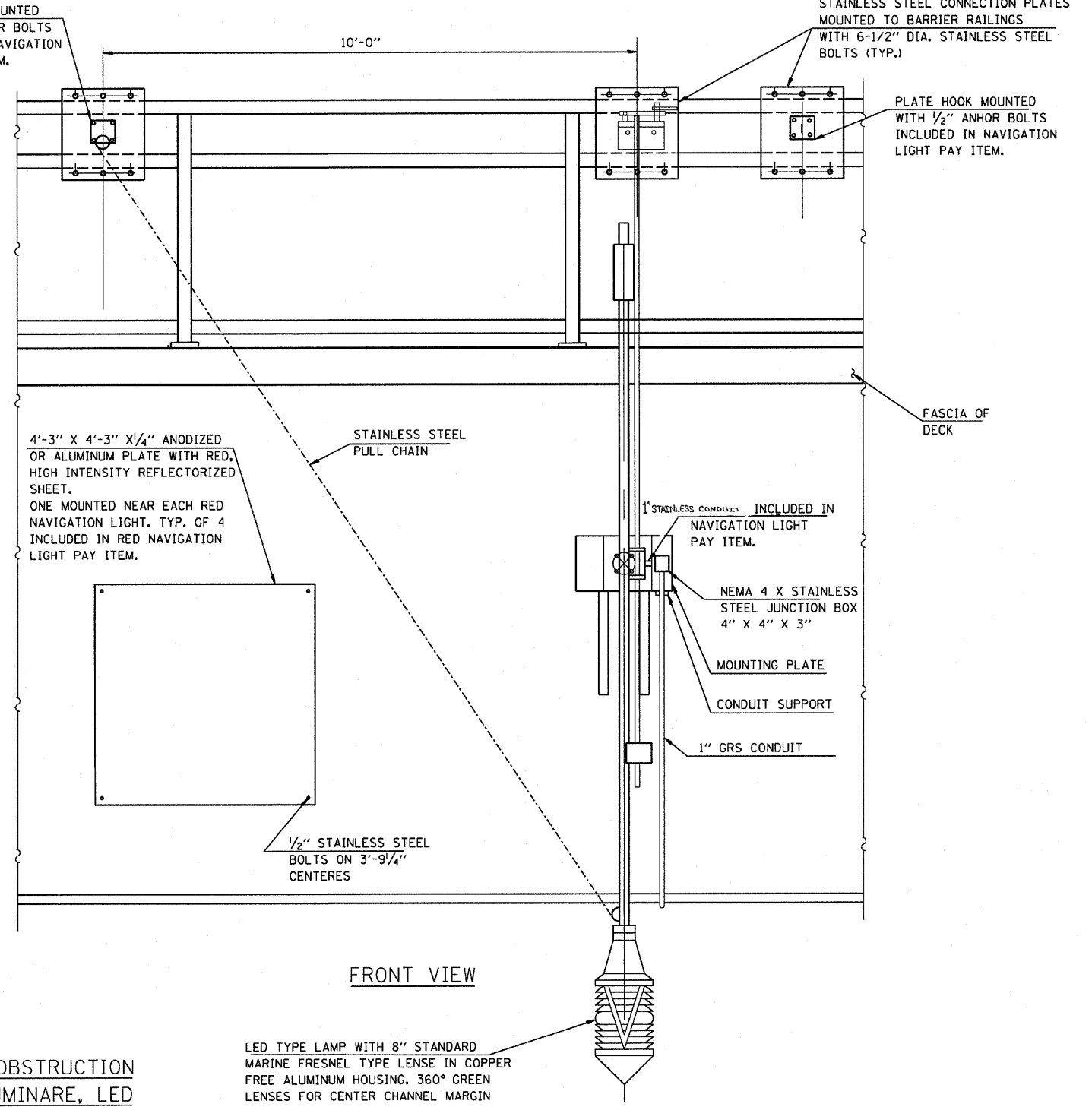
SIDE VIEW



SECTION A-A

NOTES:
FOR LOCK BRACKET DETAILS
SEE SHEET 188

RED, 180° FOR CHANNEL MARGIN LIGHT
GREEN, 360° FOR CENTER CHANNEL LIGHTS.



FRONT VIEW

**WATERWAY OBSTRUCTION
WARNING LUMINAIRE, LED
WEST SIDE OF BRIDGE
(TYP. OF 3)**

LED TYPE LAMP WITH 8" STANDARD
MARINE FRESNEL TYPE LENSE IN COPPER
FREE ALUMINUM HOUSING. 360° GREEN
LENSES FOR CENTER CHANNEL MARGIN
LIGHTS. RED LED, SHALL BE 46 CANDELA AT
6.0 WATTS GREEN LED, SHALL BE 44
CANDELA AT 8.4 WATTS.

REVISIONS	
NAME	DATE

ILLINOIS DEPARTMENT OF TRANSPORTATION
ELECTRICAL DETAILS
IL 170 BRIDGE REPLACEMENT AT SENECA
SCALE: 1" = 50'
DATE: OCTOBER, 2007
DRAWN BY: CJO
CHECKED BY: JCL

PLOT DATE = 10/11/2007
PLOT SCALE = 1/8" = 1'-0"
PLOT USER = PROJECT