

STATE OF ILLINOIS
DEPARTMENT OF TRANSPORTATION

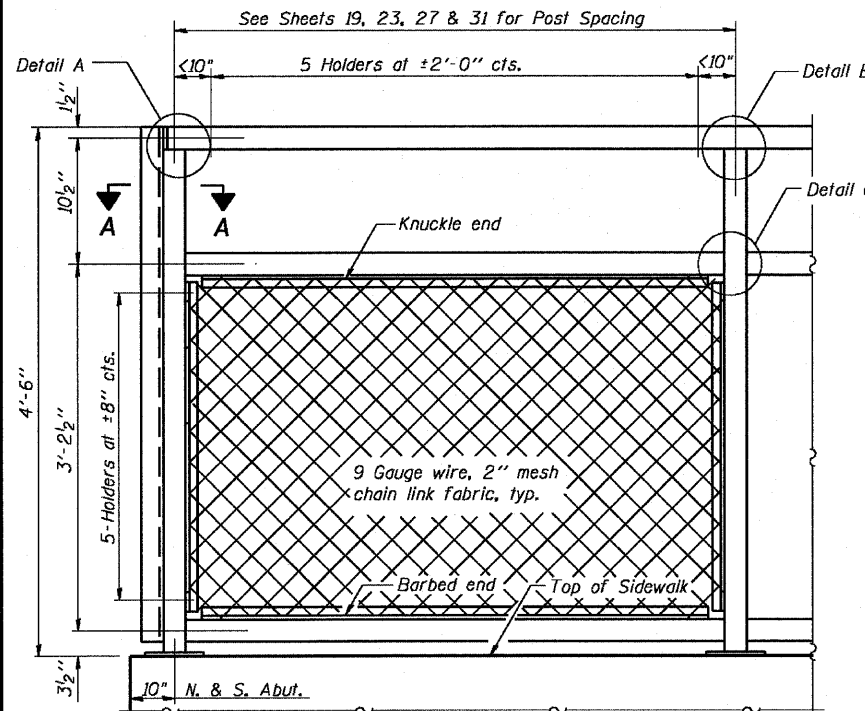


F.A.P. ROUTE NO.	SECTION	COUNTY	SHEET NO.	SHEET NO.
786	109 BR	La Salle	351	237
FED. ROAD DIST. NO. 7	ILLINOIS	FED. ROAD PROJECT		

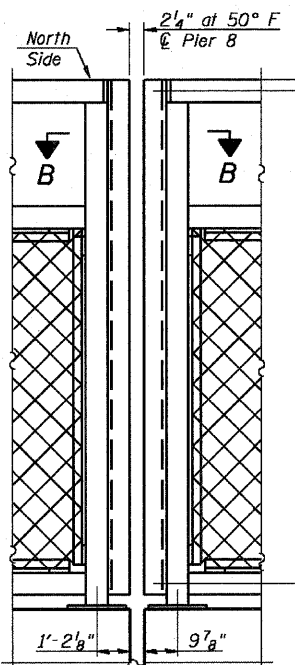
SHEET NO. 37
89 SHEETS

Contract # 66607

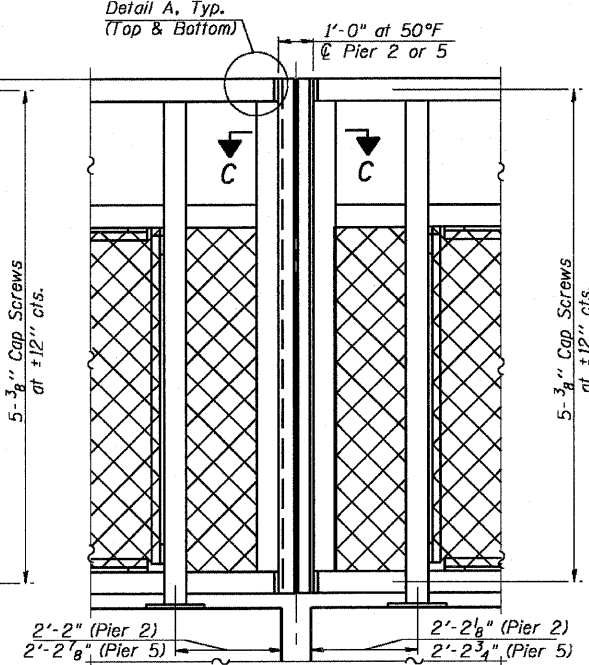
Note:
All steel rail elements shall be galvanized according to Article 509.05 of the Standard Specifications.



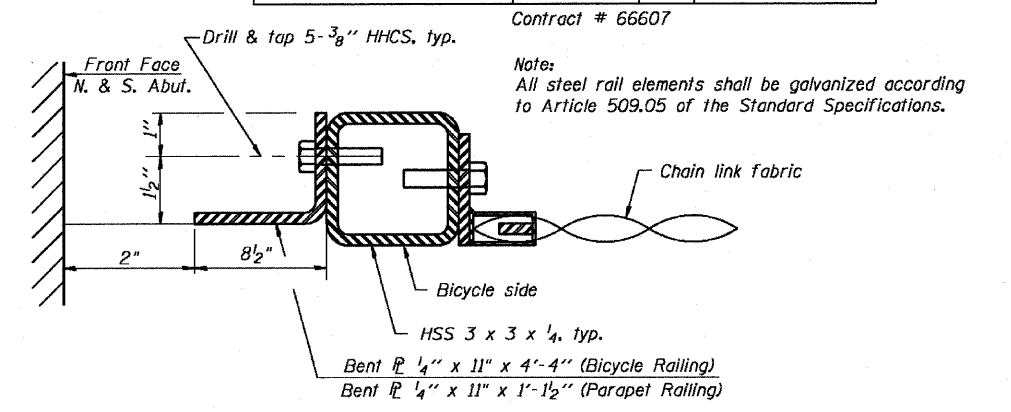
BICYCLE RAILING



BICYCLE RAILING

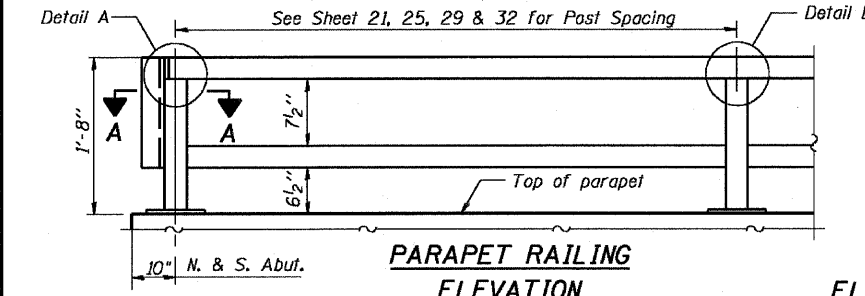


BICYCLE RAILING

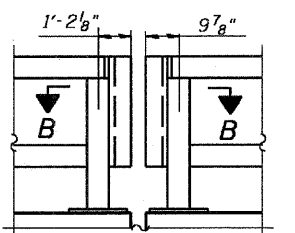


SECTION A-A

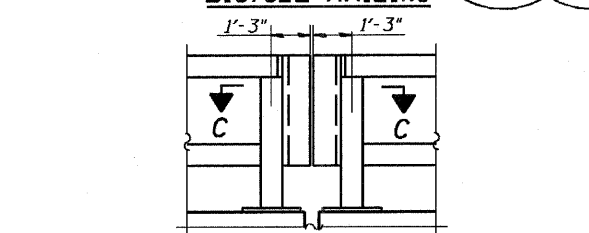
N. Abut. shown (S. Abut. similar)



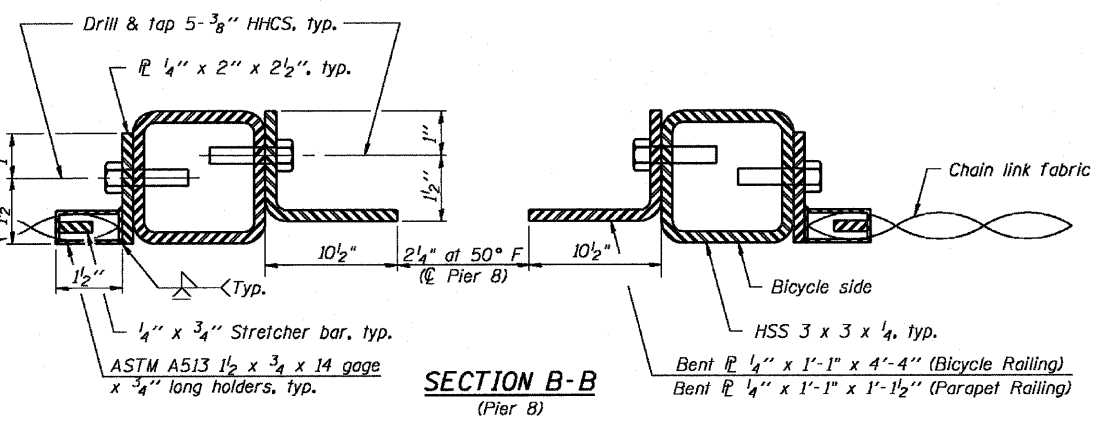
PARAPET RAILING ELEVATION



PARAPET RAILING

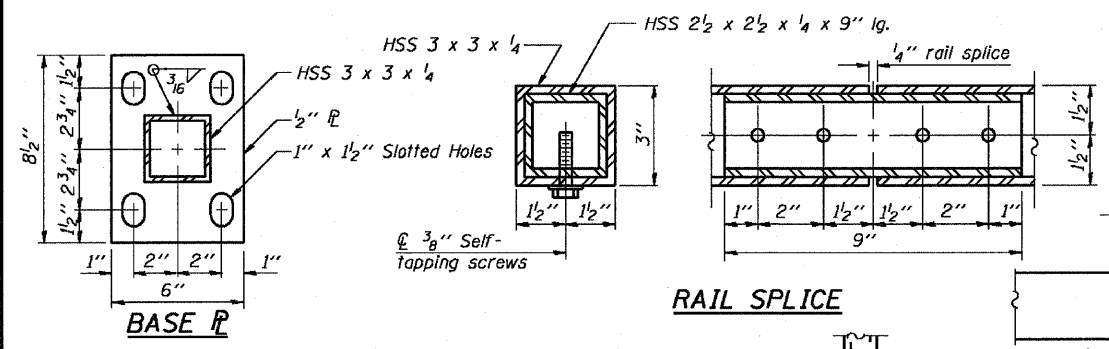


PARAPET RAILING



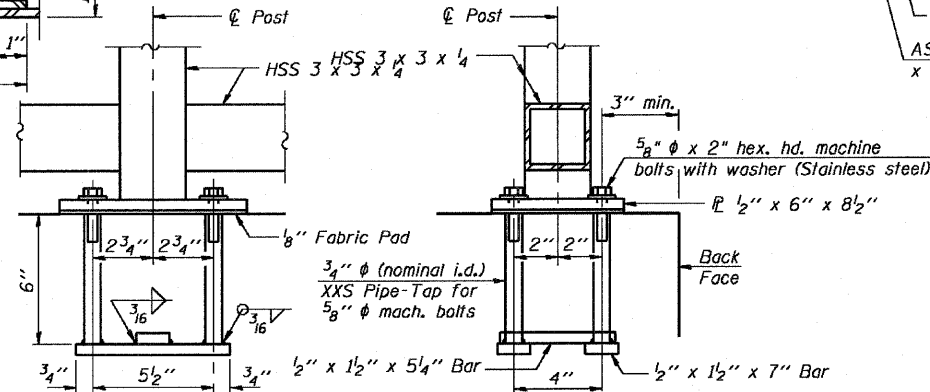
SECTION B-B

(Pier 8)

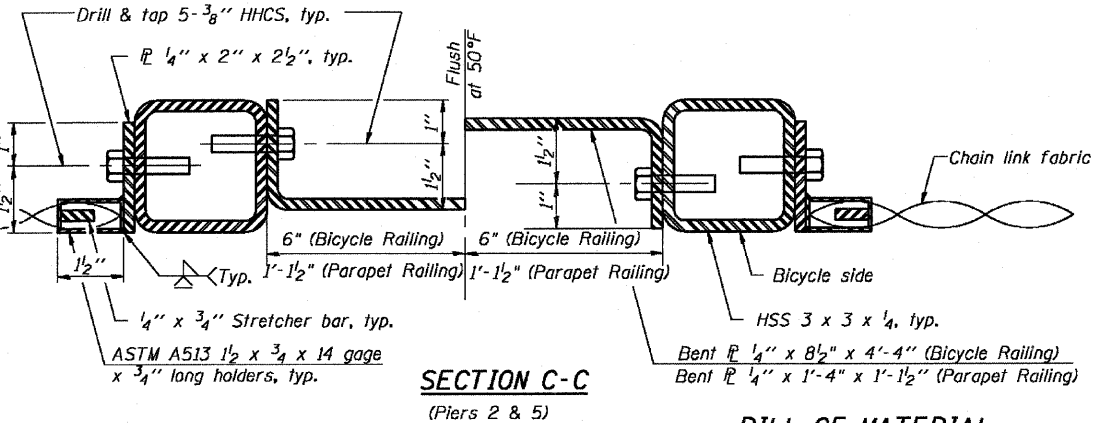


BASE PLATE

RAIL SPLICE



ANCHOR BOLT DETAILS

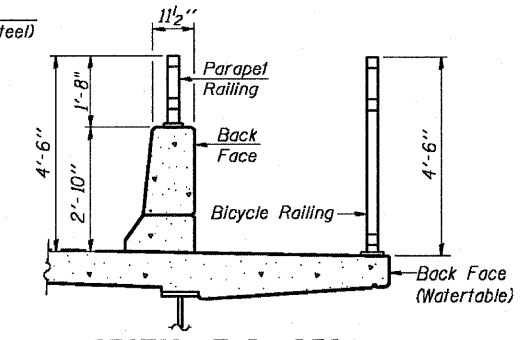


SECTION C-C

(Piers 2 & 5)

BILL OF MATERIAL

Item	Unit	Quantity
Bicycle Railing	Foot	1732
Parapet Railing	Foot	1762



SECTION THRU DECK

DESIGNED - CLS
CHECKED - RJC
DRAWN - JHR
CHECKED - RJC

DETAIL A

DETAIL B

DETAIL C

In lieu of the cast-in-place anchor device shown, the Contractor has the option of drilling and setting 5/8" anchor rods according to Article 509.06 of the Standard Specifications. Embedment shall be according to the manufacturer's specifications.

BICYCLE RAILING
IL. 170 F.A.P. 786 OVER
ILLINOIS RIVER AT SENECA
PUBLIC WATERS
LA SALLE COUNTY, SECTION 109 BR
STATION 79+04.42
STRUCTURE NO. 050-0246