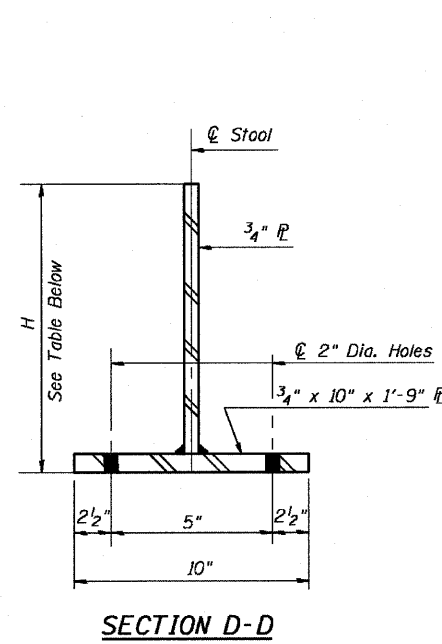
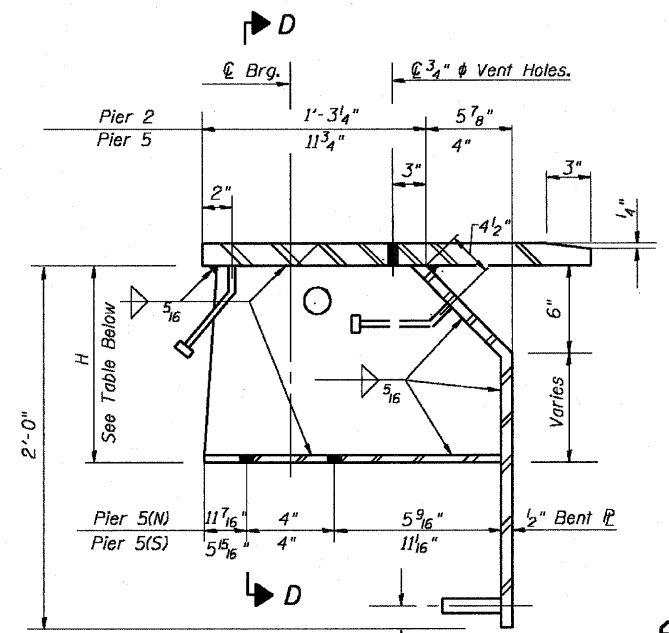


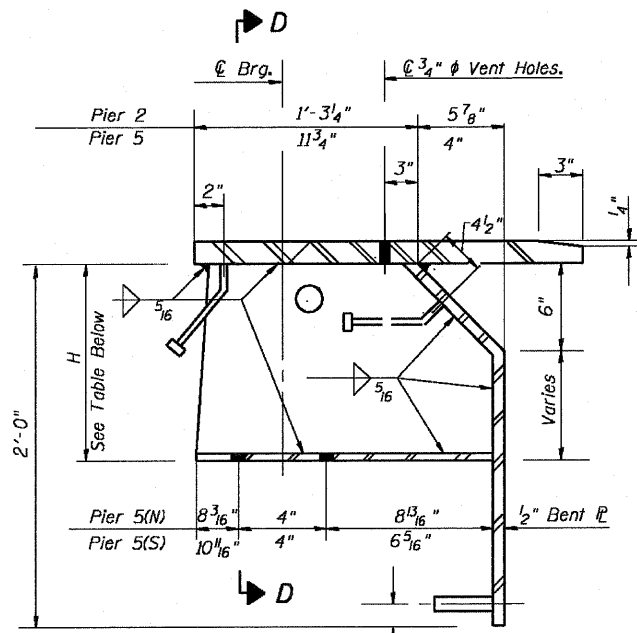
Contract # 66607



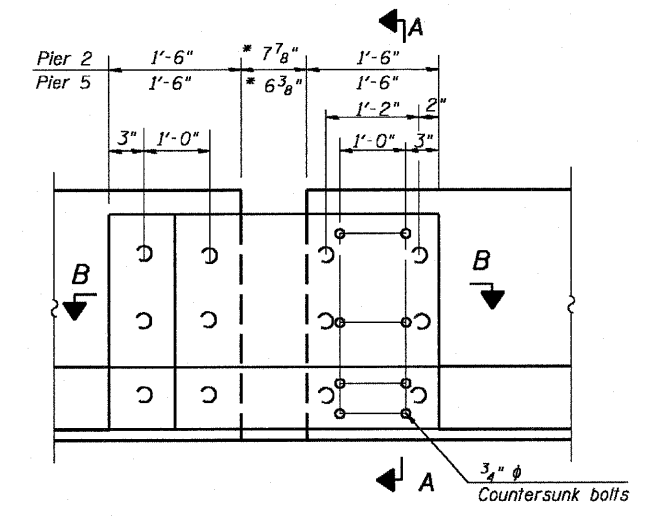
SECTION D-D



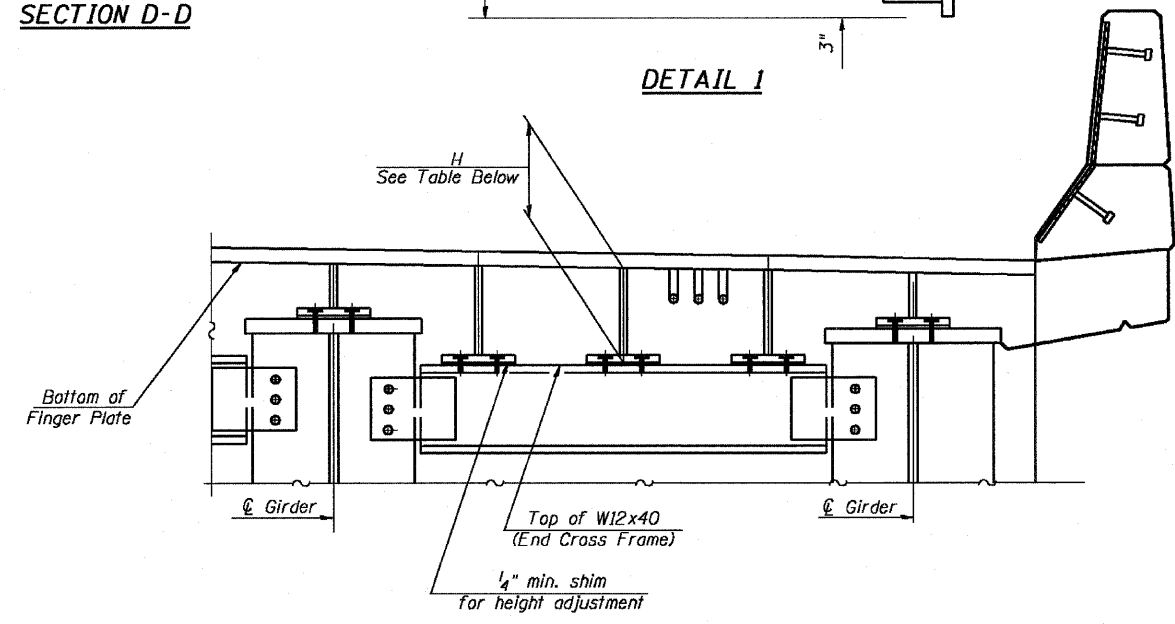
DETAIL 1



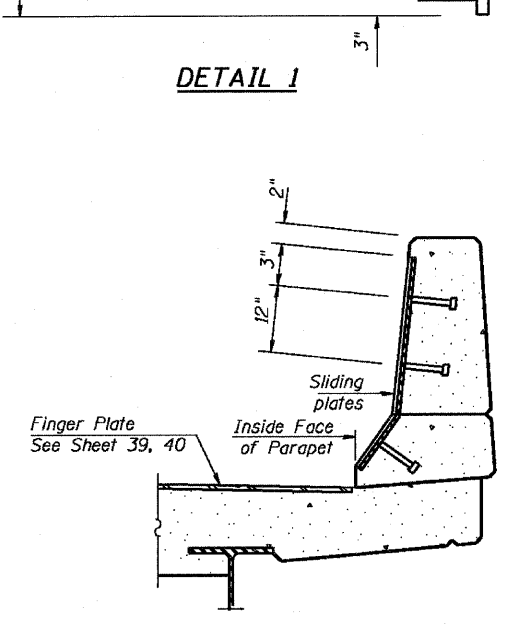
DETAIL 1



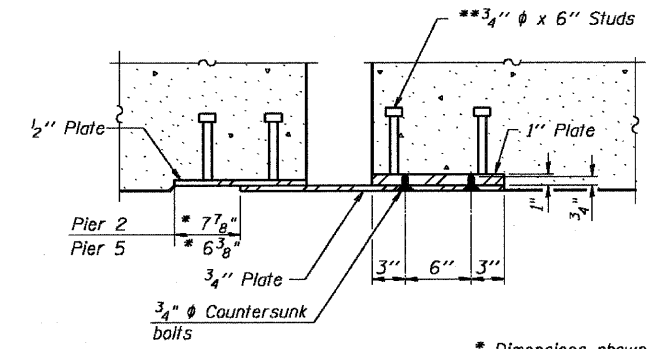
EAST PARAPET SLIDING PLATE DETAIL
(WEST PARAPET SIMILAR)



STOOLS DETAIL



SECTION A-A



SECTION B-B

* Dimensions shown are at 50° F
** Granular or solid flux filled headed studs conforming to Article 1006.32 of the Std. Specs., automatically end welded.

- Notes:
1. Work this sheet with Sheets 39, 40 & 41.
 2. M 270 Grade 50W steel shall be used for the finger plates and attachments.
 3. Finger plate expansion joints shall be assembled in their final relative position with the ends in place for shop inspection and acceptance.

TABLE OF STOOL HEIGHTS "H" - PIERS 2 & 5

LOCATION	STOOL NUMBER																				
	S-1	S-2	S-3	S-4	S-5	S-6	S-7	S-8	S-9	S-10	S-11	S-12	S-13	S-14	S-15	S-16	S-17	S-18	S-19	S-20	S-21
Pier 2	5 1/2"	9 1/16"	10 3/16"	10 3/8"	5 1/2"	9 3/4"	10 1/16"	10 7/8"	5 1/2"	9 1/16"	10"	10 3/16"	5 1/2"	10 1/4"	10"	9 1/16"	5 1/2"	10 3/8"	10 1/16"	9 1/16"	5 1/2"
	N-1	N-2	N-3	N-4	N-5	N-6	N-7	N-8	N-9	N-10	N-11	N-12	N-13	N-14	N-15	N-16	N-17	N-18	N-19	N-20	N-21
	5 1/2"	9 5/8"	10"	10 1/16"	5 1/2"	9 5/8"	9 5/16"	10 1/4"	5 1/2"	9 5/16"	9 7/8"	10 3/16"	5 1/2"	10 3/8"	9 7/8"	9 5/16"	5 1/2"	10 1/4"	9 1/16"	9 1/16"	5 1/2"
Pier 5	S-1	S-2	S-3	S-4	S-5	S-6	S-7	S-8	S-9	S-10	S-11	S-12	S-13	S-14	S-15	S-16	S-17	S-18	S-19	S-20	S-21
	6 1/2"	10 5/8"	11"	11 1/16"	6 1/2"	10 5/8"	10 5/16"	11 1/4"	6 1/2"	10 5/16"	10 7/8"	11 3/16"	6 1/2"	11 1/4"	10 5/16"	10 5/16"	6 1/2"	11 1/4"	10 5/16"	10 1/16"	6 1/2"
	N-1	N-2	N-3	N-4	N-5	N-6	N-7	N-8	N-9	N-10	N-11	N-12	N-13	N-14	N-15	N-16	N-17	N-18	N-19	N-20	N-21
	6 1/2"	10 3/4"	11 1/8"	11 9/16"	6 1/2"	10 3/4"	11 1/8"	11 3/8"	6 1/2"	10 1/16"	11"	11 5/16"	6 1/2"	11 3/8"	11 1/8"	10 1/16"	6 1/2"	11 3/8"	11 1/8"	10 1/16"	6 1/2"

DESIGNED - CLS
CHECKED - DEV
DRAWN - JHR
CHECKED - RJC

FINGER PLATE EXP. JT. DETAILS 2
AT PIERS 2 & 5
IL. 170 F.A.P. 786 OVER
ILLINOIS RIVER AT SENECA
PUBLIC WATERS
LA SALLE COUNTY, SECTION 109 BR
STATION 79+04.42
STRUCTURE NO. 050-0246