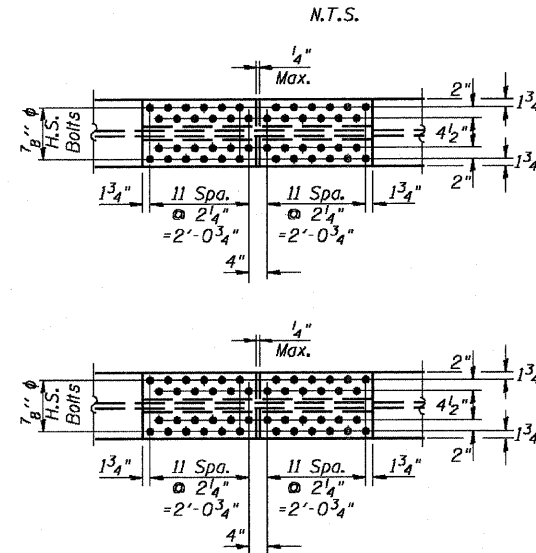
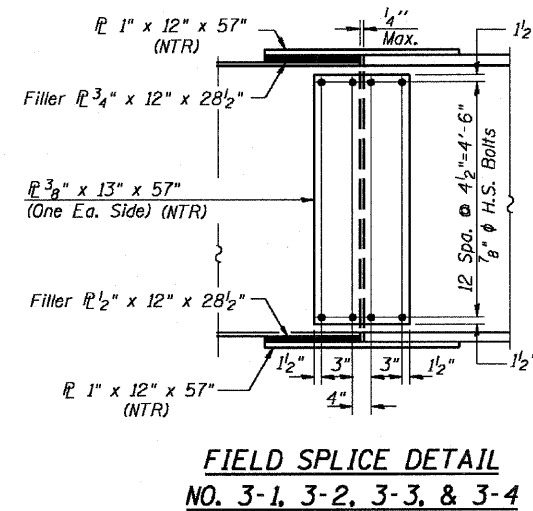
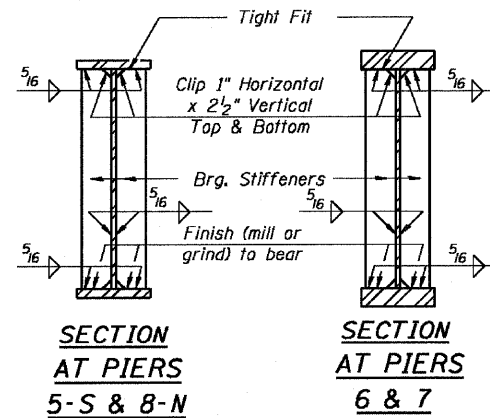
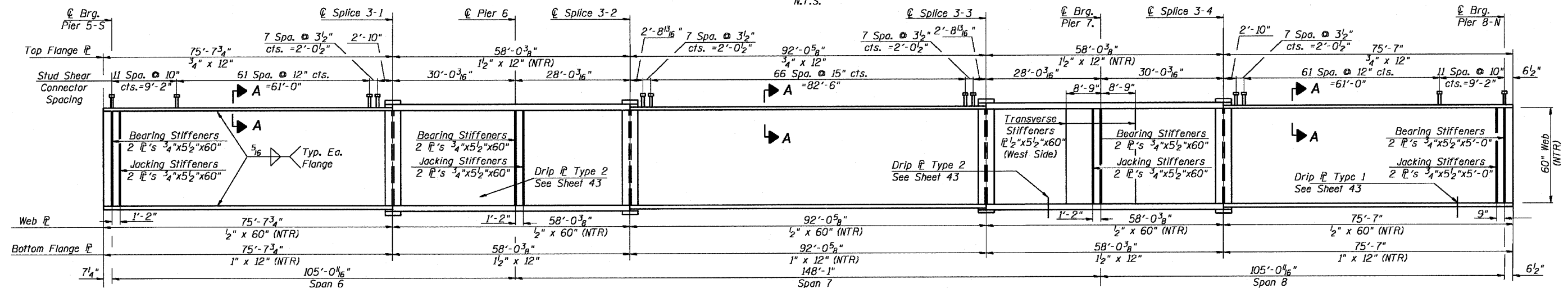
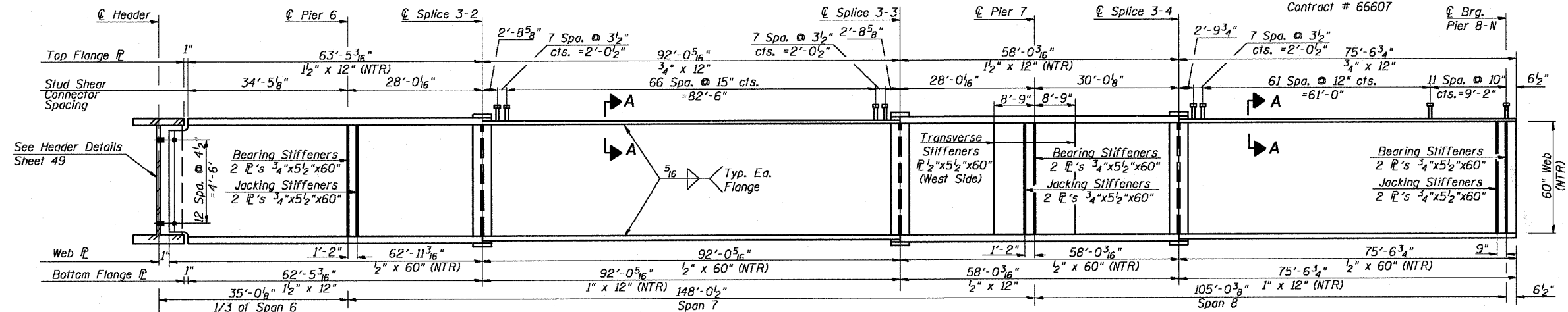


STATE OF ILLINOIS
DEPARTMENT OF TRANSPORTATION

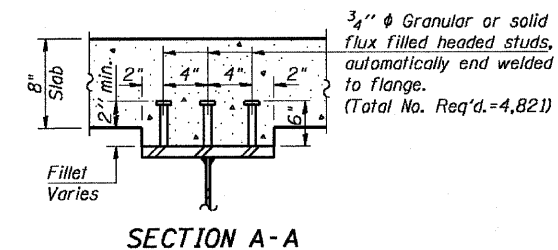


F.A.P. ROUTE NO.	SECTION	COUNTY	SHEETS	SHEET
786	109 BR	La Salle	351	250
FED. ROAD DIST. NO. 7	ILLINOIS	FED. AID PROJECT		

SHEET NO. 50
89 SHEETS



- Notes:**
1. Work this sheet with Sheet 49 & 51.
 2. See sheet 54 for cross frame details.
 3. M270 Grade 50W steel shall be used for all flanges, flange splice plates, webs, web splice plates, & bearing plates unless otherwise noted.
 4. (NTR) denotes Notch Toughness Requirements. Plates designated "NTR" shall conform to the supplement requirements for toughness (Zone 2). NTR plates include tension flanges, webs, and all splice plate material (except fill plates).
 5. H.S. bolts for splices shall be 7/8" @ AASHTO M164/ASTM A325 H.S. bolts (Type 3 for weathering steel) with 5/16" @ standard size holes unless otherwise noted.
 6. Design of H.S. bolts assumes no threads in the shear plane and a Class A surface for slip resistance.
 7. All cross frames between girders shall be installed with erection pins and bolts in accordance with the erection plan approved by the Engineer. Individual cross frames at supports may be temporarily disconnected to install bearing anchor rods.



DESIGNED - CLS
CHECKED - OPY
DRAWN - JHR
CHECKED - RJC

**FRAMING PLAN
UNIT 3 (2 of 2)
IL. 170 F.A.P. 786 OVER
ILLINOIS RIVER AT SENECA
PUBLIC WATERS
LA SALLE COUNTY, SECTION 109 BR
STATION 79+04.42
STRUCTURE NO. 050-0246**