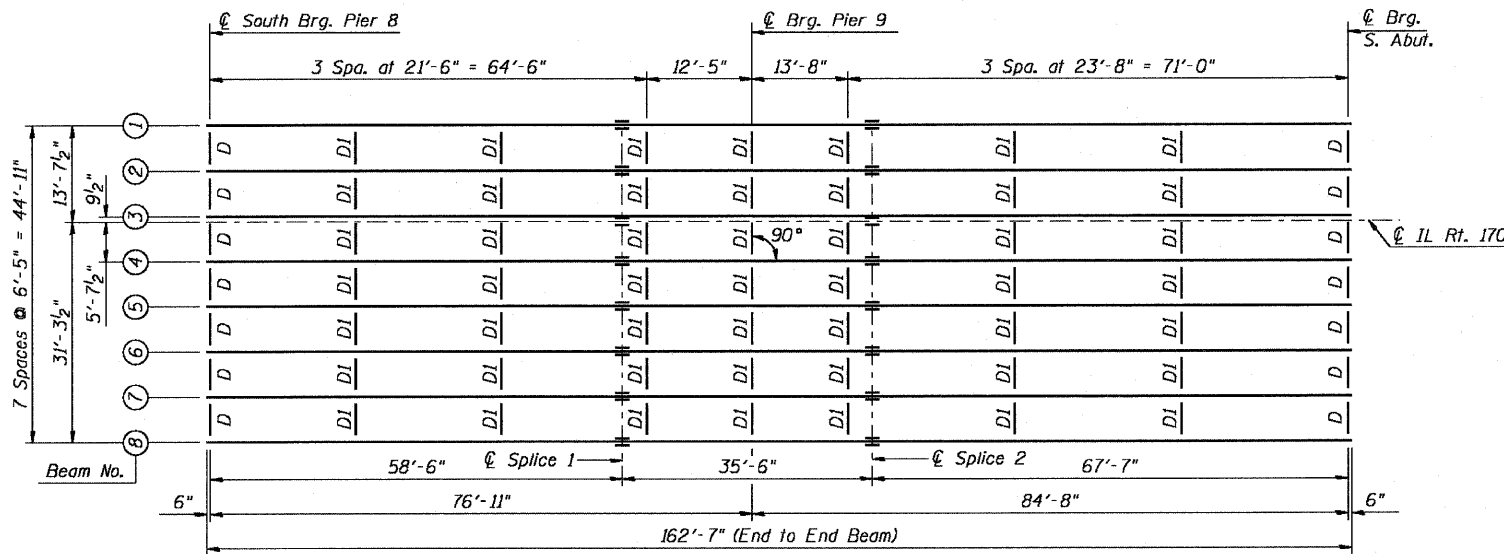


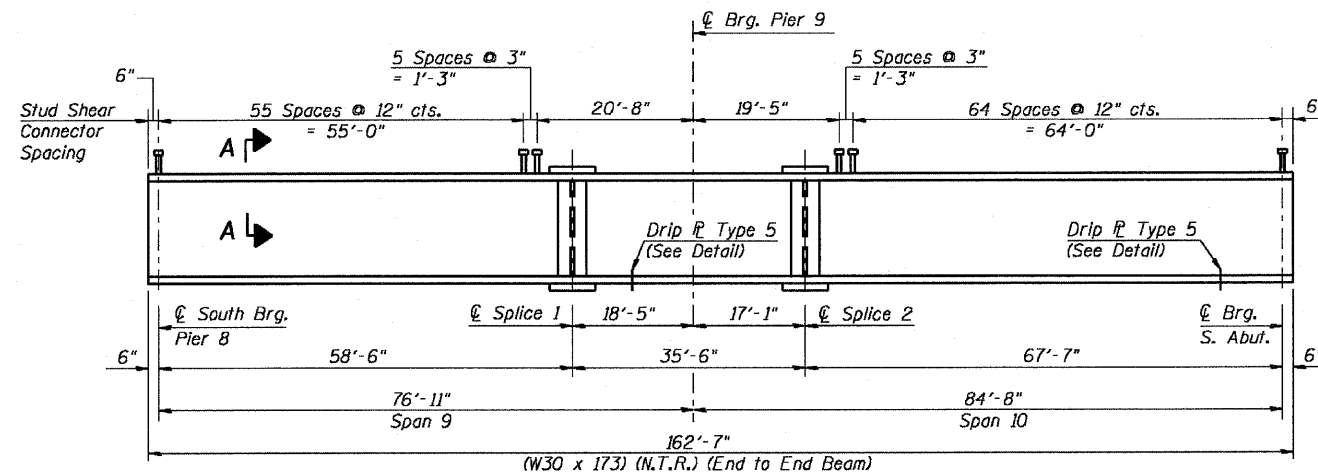
STATE OF ILLINOIS
DEPARTMENT OF TRANSPORTATION

F.A.P. ROUTE NO.	SECTION	COUNTY	STATION	SHEET NO.	SHEET NO. 52
786	109 BR	La Salle	351	252	89 SHEETS
FED. ROAD DIST. NO. 7	ILLINOIS	FED. AID PROJECT-			

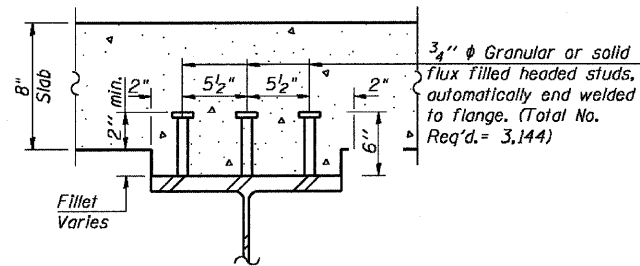
Contract #66607



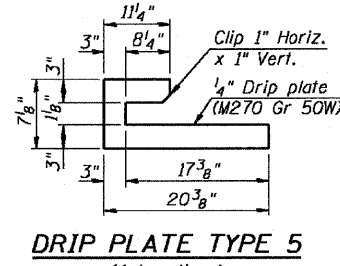
FRAMING PLAN (UNIT 4)



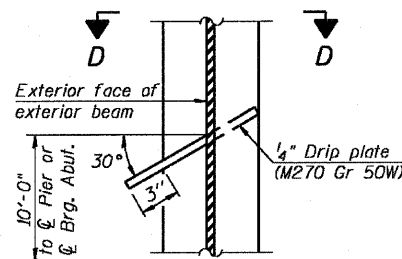
BEAM ELEVATION (UNIT 4)



SECTION A-A



DRIP PLATE TYPE 5 (4 Locations)

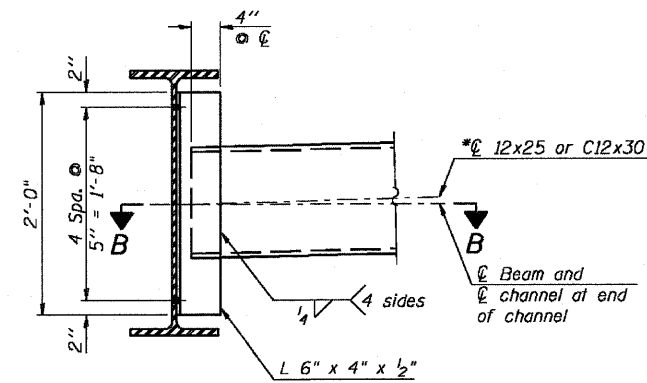


PLAN OF DRIP PLATE (Beam 8 shown, Beam 1 mirror image)

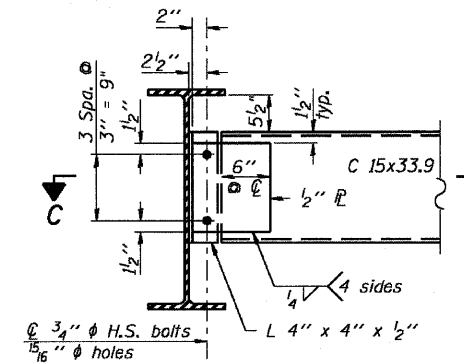
TOP OF BEAM ELEVATIONS (For Fabrication Only)

Location	Beam 1	Beam 2	Beam 3	Beam 4	Beam 5	Beam 6	Beam 7	Beam 8
CL S. Brg. Pier 8	519.26	519.37	519.47	519.39	519.29	519.16	519.03	518.89
CL Splice 1	518.01	518.12	518.22	518.14	518.04	517.91	517.77	517.64
CL Brg. Pier 9	517.66	517.77	517.87	517.79	517.69	517.56	517.42	517.29
CL Splice 2	517.33	517.44	517.54	517.47	517.37	517.23	517.10	516.97
CL Brg. S. Abut.	515.99	516.10	516.20	516.13	516.03	515.89	515.76	515.63

DESIGNED	RKM
CHECKED	MTH
DRAWN	AJF
CHECKED	MTH

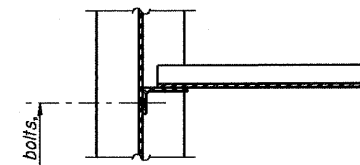


DIAPHRAGM D1 (49 Required)

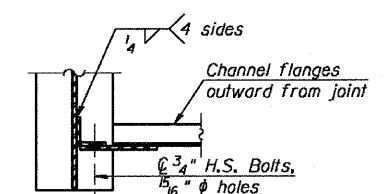


DIAPHRAGM D (14 Required)

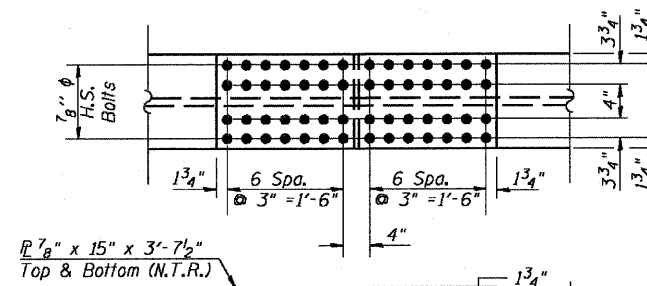
Notes:
Two hardened washers required for each set of oversized holes.
* Alternate channels are permitted to facilitate material acquisition. Calculated weight of structural steel is based on the lighter section.



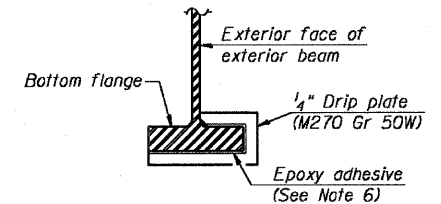
SECTION B-B



SECTION C-C



FIELD SPLICE DETAIL (16 Required)



SECTION D-D

- Notes:
- M270 Grade 50W steel shall be used for all beams, flange splice plates, web splice plates, & bearing plates unless otherwise noted.
 - (NTR) denotes Notch Toughness Requirements. Plates designated "NTR" shall conform to the supplemental requirements for toughness (Zone 2). NTR plates include beams and all splice plate material (except fill plates).
 - H.S. bolts for splices shall be 7/8" ϕ AASHTO M164/ASTM A325 H.S. bolts (Type 3 for weathering steel) with 5/16" ϕ standard size holes unless otherwise noted.
 - Design of H.S. bolts assumes no threads in the shear plane and a Class A surface for slip resistance.
 - All diaphragms between beams shall be installed as steel is erected and secured with erection pins and bolts except as otherwise noted. Individual diaphragms at supports may be temporarily disconnected to install bearing anchor rods.
 - Drip plates shall be installed on suitably prepared surfaces after shop priming, using a two component epoxy suitable for structural steel under prolonged exposure. Plates shall be painted with the paint specified for structural steel.

FRAMING PLAN UNIT 4

ILL. 170 F.A.P. 786 OVER
ILLINOIS RIVER AT SENECA
PUBLIC WATERS
LA SALLE COUNTY, SECTION 109 BR
STATION 79+04.42
STRUCTURE NO. 050-0246

E LIN ENGINEERING, LTD.
Consulting Engineers
Chatham, Illinois