

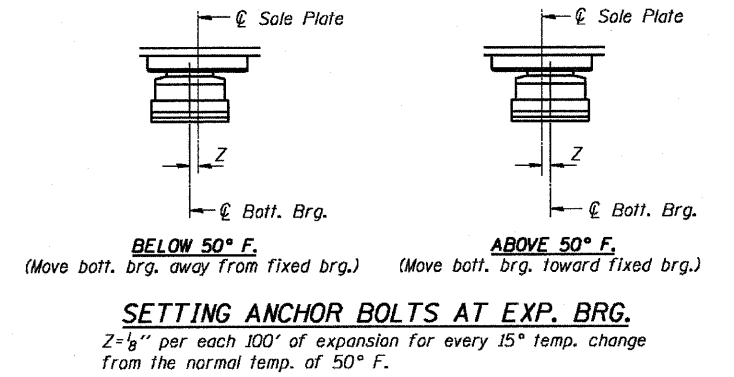
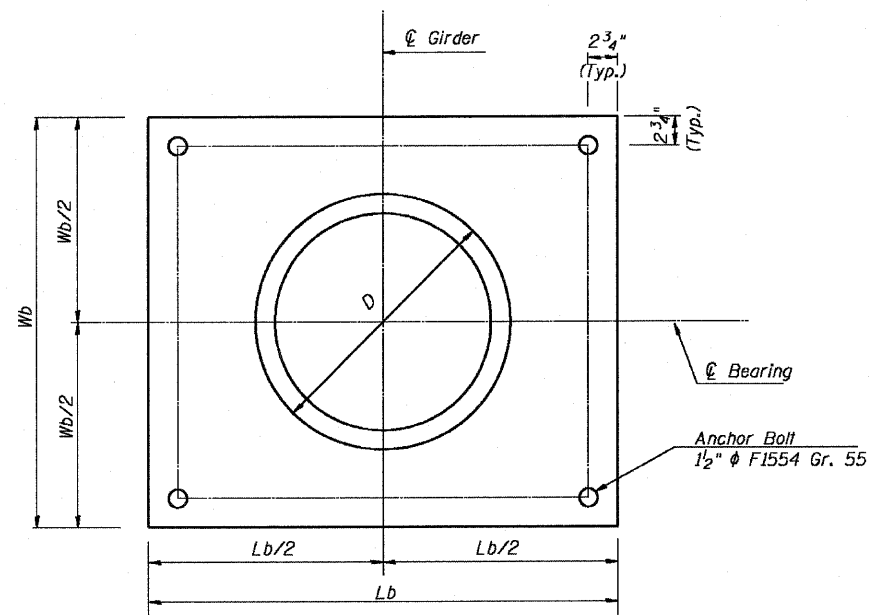
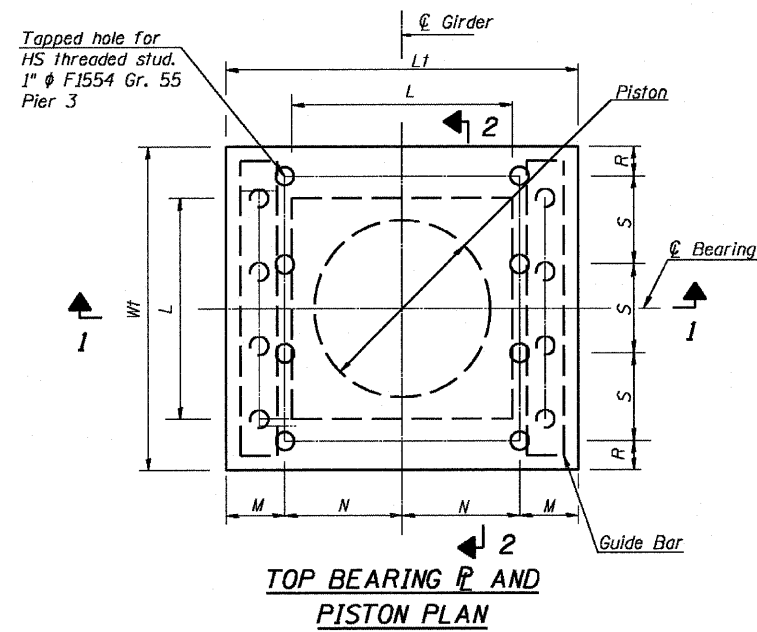
STATE OF ILLINOIS
DEPARTMENT OF TRANSPORTATION



F.A.P. ROUTE NO.	SECTION	COUNTY	SUBDIV.	SHEET
786	109 BR	La Salle	351	259
FED. ROAD DIST. NO. 7	ILLINOIS	FED. AID PROJECT-		

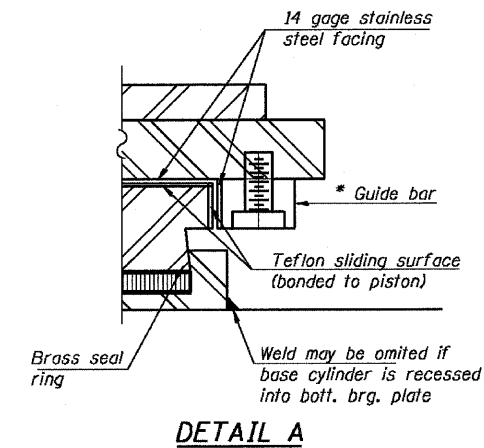
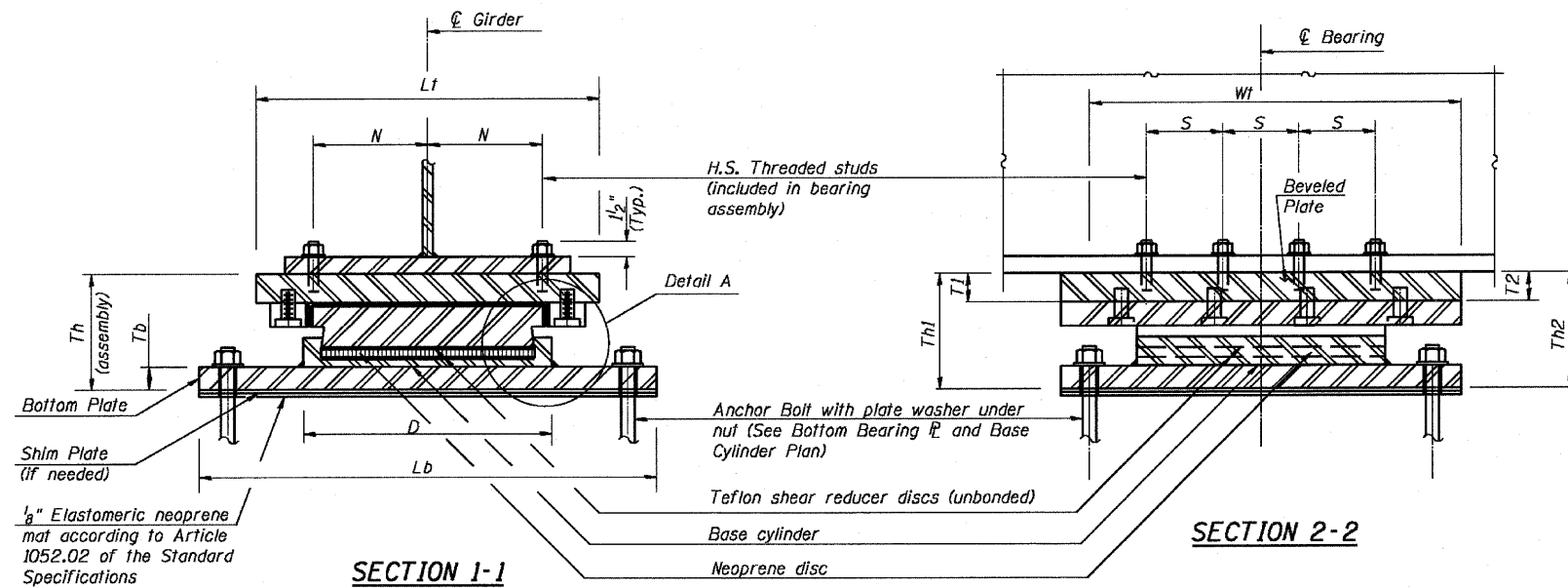
SHEET NO. 59
89 SHEETS

Contract # 66607



BILL OF MATERIAL

Item	Unit	Total
High Load Multi-Rotation Bearings, Guided Expansion BOOK.	Each	6



* As alternates to the bolted connection shown, the guide bars may be connected to the top bearing plate by groove welds or the guide bars and top bearing plate may be fabricated as a single piece.

GUIDE EXPANSION BEARING DIMENSION

Brg. Location	Vertical Design Load	Lateral Design Load	Total Required Movement	Bottom Bearing Plate			Top Bearing Plate						Th1 in.	Th2 in.	L in.	D in.		
				Tb in.	Lb in.	Wb in.	Top Plate		L1 in.	Wt in.	M in.	N in.					R in.	S in.
							T11 in.	T12 in.										
Pier 3	800	123	2 3/8	2	40	30	3 3/8	4	32	30	7	9	3	8	14 1/4	14 1/8	27	25

DESIGNED - CLS
CHECKED - DEV
DRAWN - JHR
CHECKED - RJC

EXPANSION POT BEARING ASSEMBLIES
IL. 170 F.A.P. 786 OVER
ILLINOIS RIVER AT SENECA
PUBLIC WATERS
LA SALLE COUNTY, SECTION 109 BR
STATION 79+04.42
STRUCTURE NO. 050-0246