

- Notes:
1. Space reinforcement in cap to miss anchor bolts.
 2. Pour steps monolithically with cap.
 3. For details of piles, see sheet 81 of 89.
 4. Bridge seats between the bearings shall be sloped to drain.

STATE OF ILLINOIS
DEPARTMENT OF TRANSPORTATION

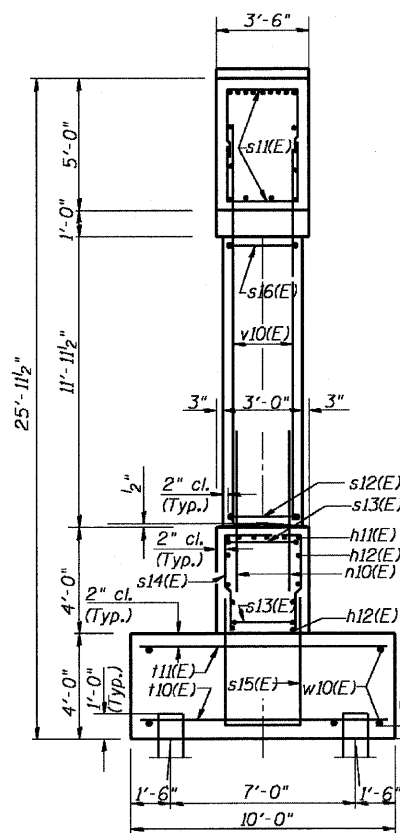
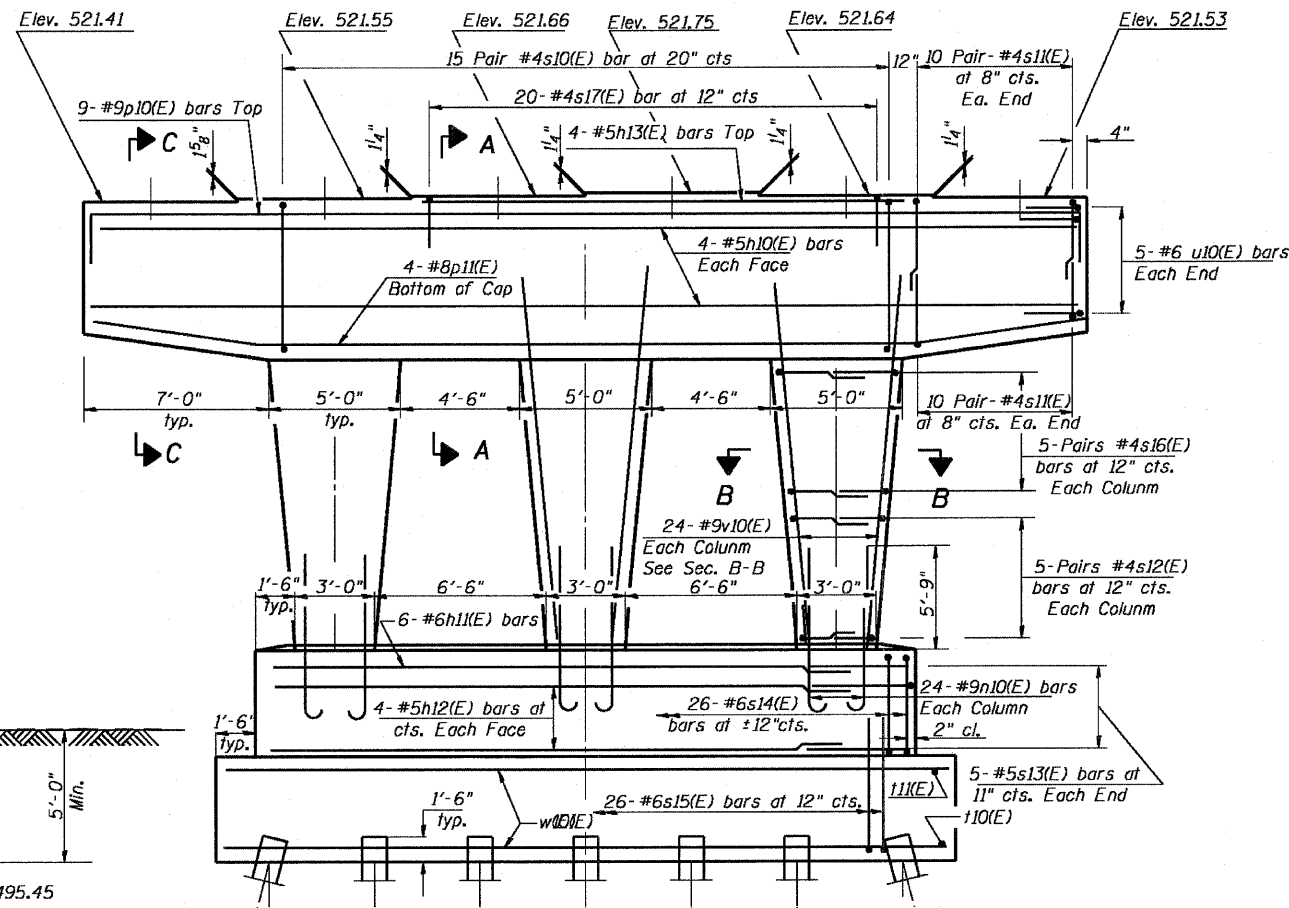
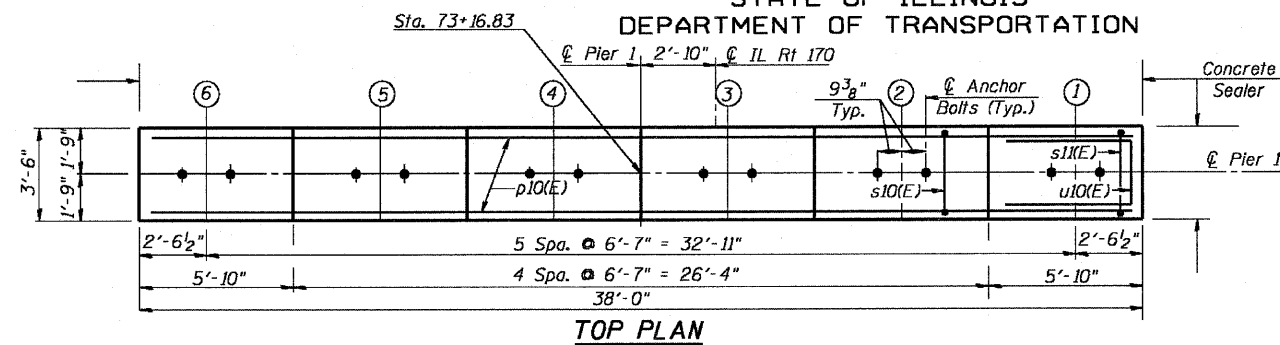


F.A.P. ROUTE NO.	SECTION	COUNTY	TOTAL SHEETS	SHEET NO.	SHEET NO. 67
786	109 BR	La Salle	351	267	89 SHEETS
FED. ROAD DIST. NO. 7	ILLINOIS	FED. AID PROJECT			

Contract # 66607

BILL OF MATERIAL

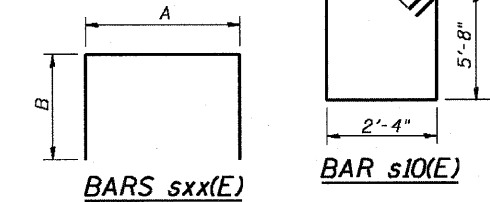
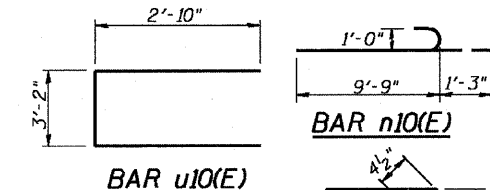
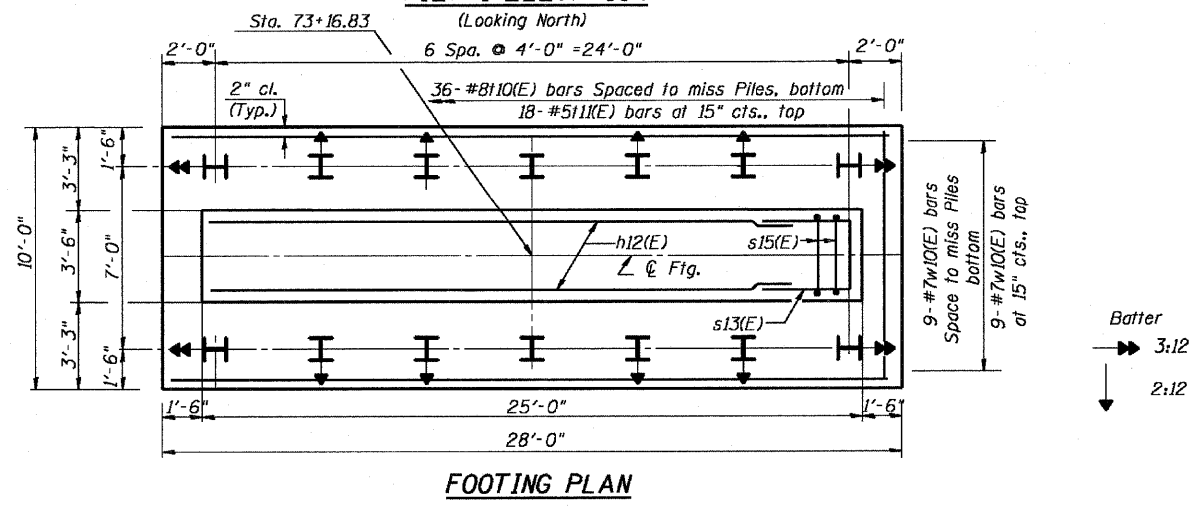
Bar	No.	Size	Length	Shape
h10(E)	8	#5	37'-8"	
h11(E)	6	#6	24'-8"	
h12(E)	8	#5	24'-8"	
h13(E)	4	#5	19'-0"	
n10(E)	72	#9	11'-0"	
p10(E)	9	#9	40'-10"	
p11(E)	4	#8	37'-10"	
s10(E)	30	#4	16'-9"	
s11(E)	80	#4	9'-8"	
s12(E)	30	#4	8'-0"	
s13(E)	10	#5	7'-6"	
s14(E)	26	#6	10'-10"	
s15(E)	26	#6	15'-10"	
s16(E)	30	#4	10'-0"	
s17(E)	20	#4	8'-2"	
v10(E)	36	#8	9'-8"	
v11(E)	18	#5	9'-8"	
w10(E)	10	#6	8'-10"	
w11(E)	18	#7	27'-8"	
Structure Excavation				Cu. Yd. 78
Concrete Structures				Cu. Yd. 100
Reinforcement Bars, Epoxy Coated				Pound 13,630
Furnishing Steel Piles HP 12x74				Foot 455
Driving Piles				Foot 455
Test Pile				Each 1
Pile Shoes				Each 14



PILE DATA

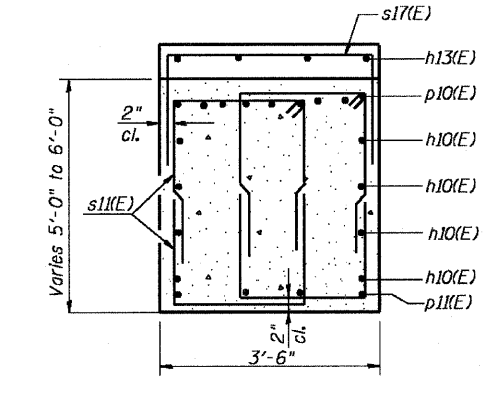
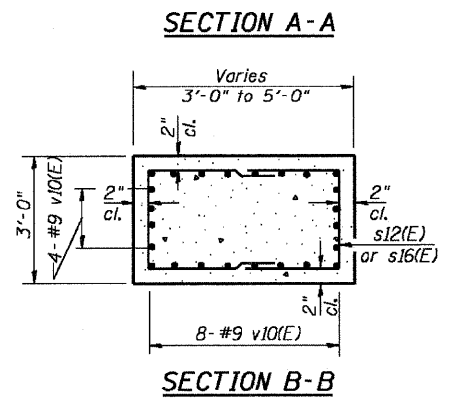
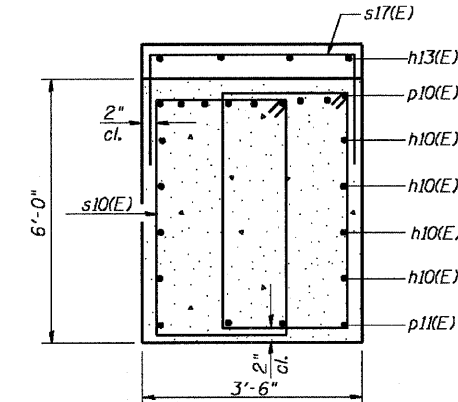
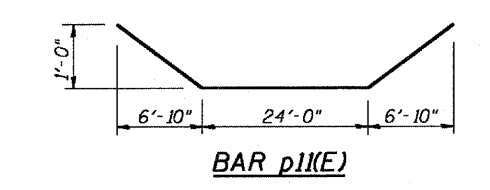
Type: HP12x74 with Pile Shoes
Nominal Required Bearing = 589K
Allowable Resistance Available = 196K
Est. Length: 35'
No. Production Piles: 13
No. Test Piles: 1

DESIGNED - RJC
CHECKED - DEV
DRAWN - JHR
CHECKED - DEV



A & B DIMENSIONS

Bar	A	B
s11(E)	2'-4"	3'-8"
s12(E)	2'-8"	2'-8"
s13(E)	3'-2"	2'-2"
s14(E)	3'-2"	3'-10"
s15(E)	3'-2"	6'-4"
s16(E)	2'-8"	3'-8"
s17(E)	3'-2"	2'-6"



PIER 1
IL. 170 F.A.P. 786 OVER
ILLINOIS RIVER AT SENECA
PUBLIC WATERS
LA SALLE COUNTY, SECTION 109 BR
STATION 79+04.42
STRUCTURE NO. 050-0246