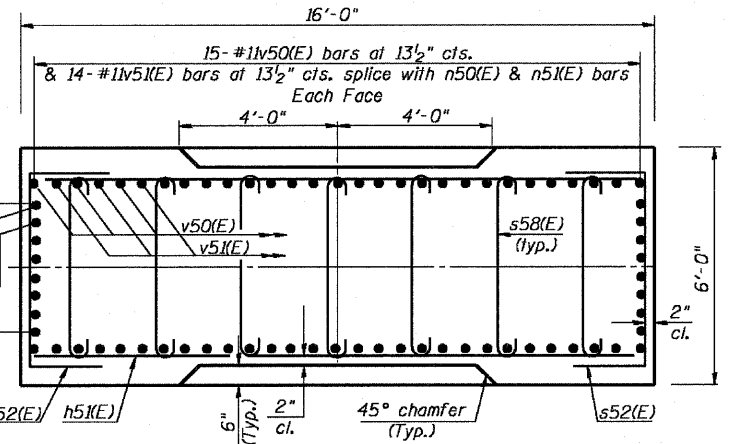
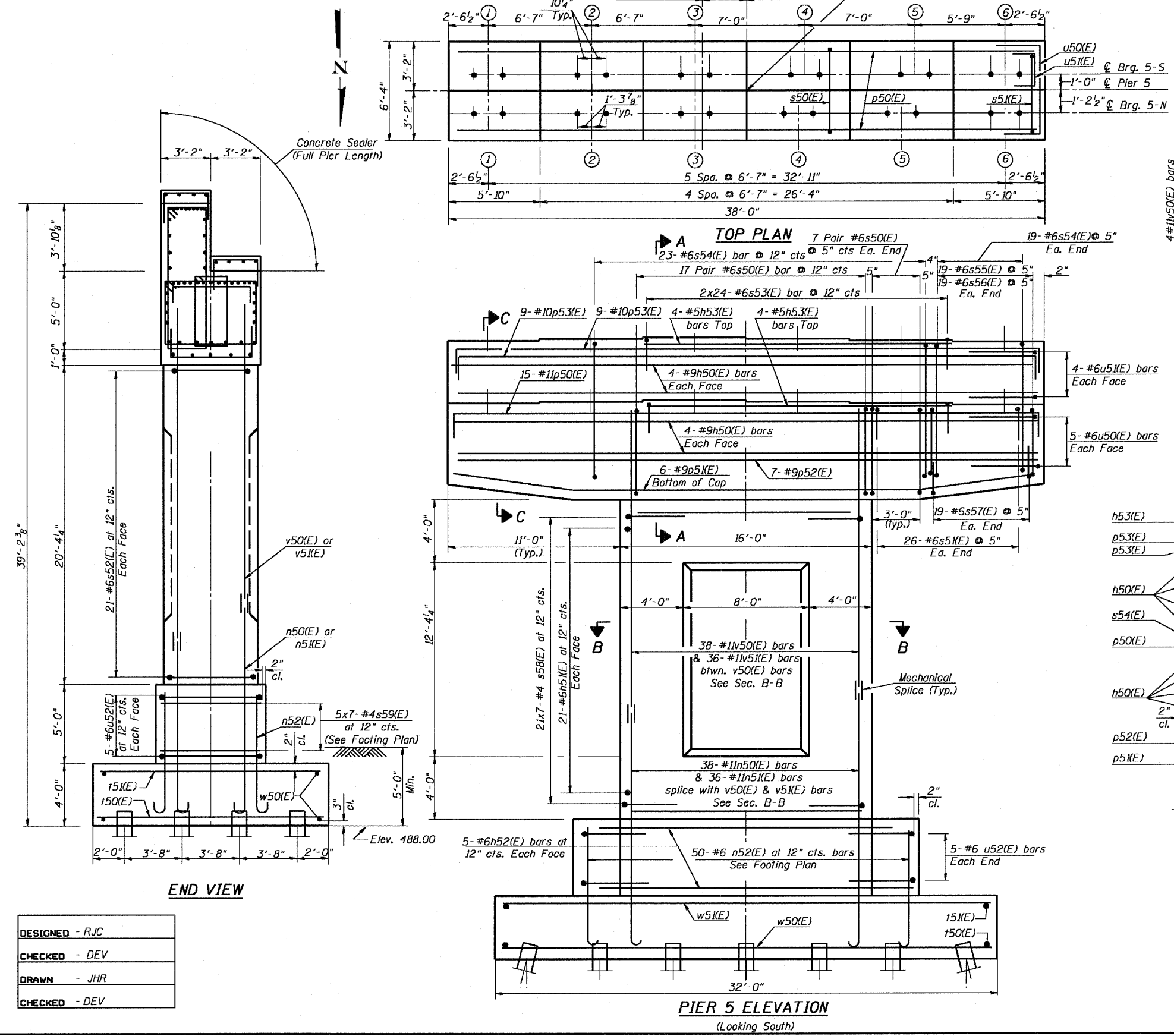


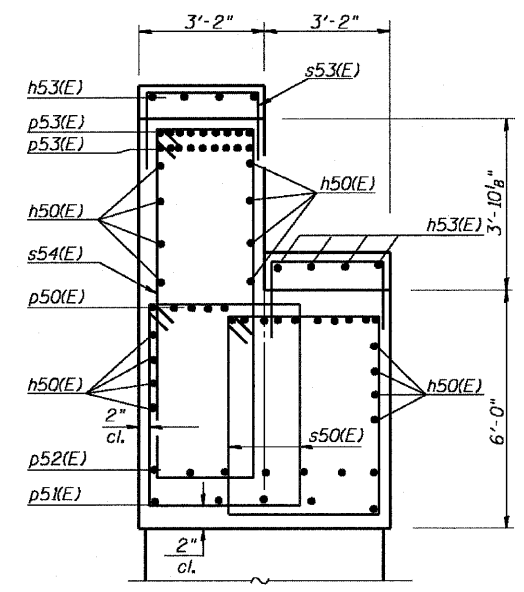
Contract # 66607

STATE OF ILLINOIS  
DEPARTMENT OF TRANSPORTATION

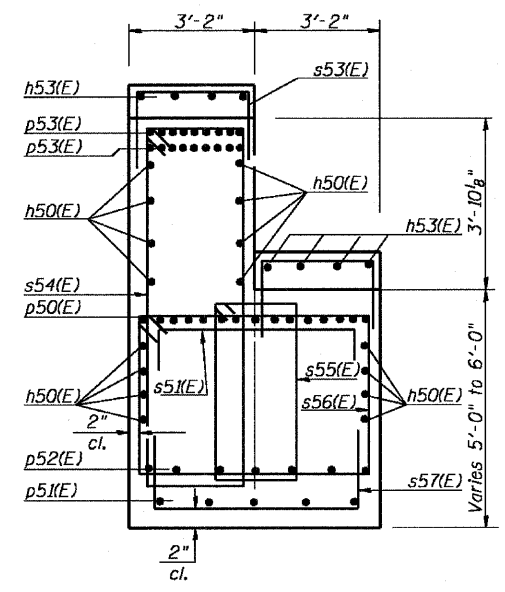
IL Rt. 170 Sta. 83+72.00



SECTION B-B



SECTION A-A



SECTION C-C

|          |       |
|----------|-------|
| DESIGNED | - RJC |
| CHECKED  | - DEV |
| DRAWN    | - JHR |
| CHECKED  | - DEV |

**PIER 5**  
IL. 170 F.A.P. 786 OVER  
ILLINOIS RIVER AT SENECA  
PUBLIC WATERS  
LA SALLE COUNTY, SECTION 109 BR  
STATION 79+04.42  
STRUCTURE NO. 050-0246