

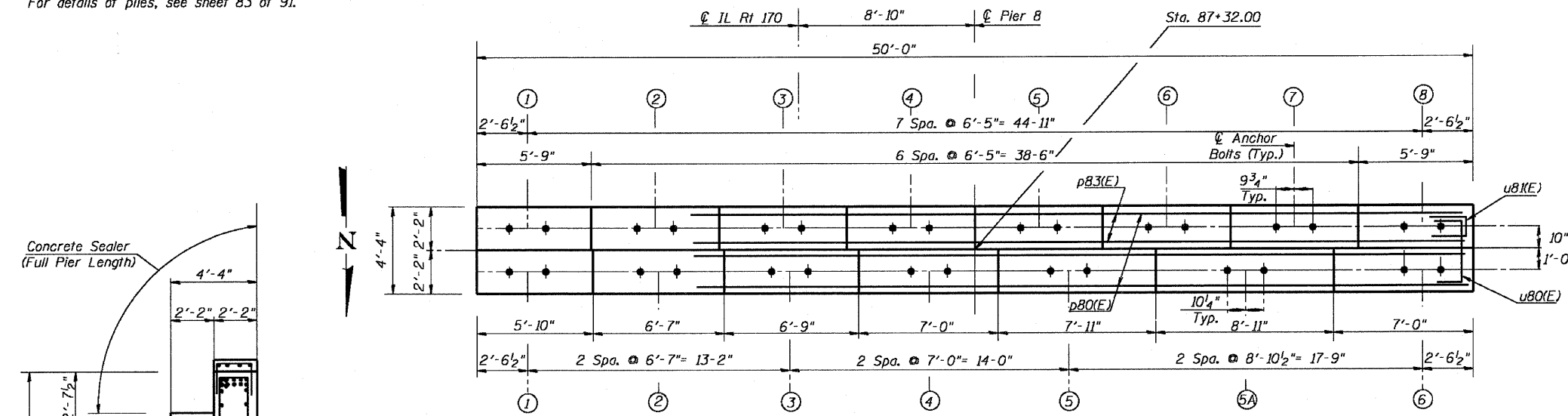
Notes:
 Space reinforcement in cap to miss anchor bolts.
 Pour steps monolithically with cap.
 For details of piles, see sheet 83 of 91.

STATE OF ILLINOIS
 DEPARTMENT OF TRANSPORTATION

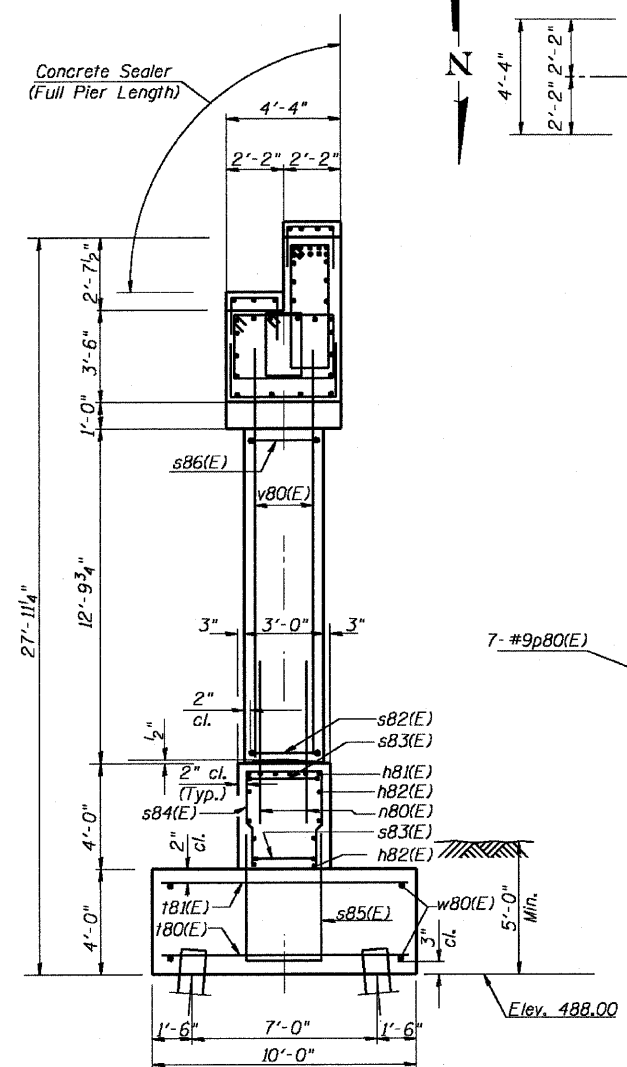


F.A.P. ROUTE NO.	SECTION	COUNTY	SHEET NO.	SHEET NO.
786	109 BR	La Salle	351	278
FED. ROAD DIST. NO. 7	ILLINOIS	FED. AID PROJECT		

Contract # 66607



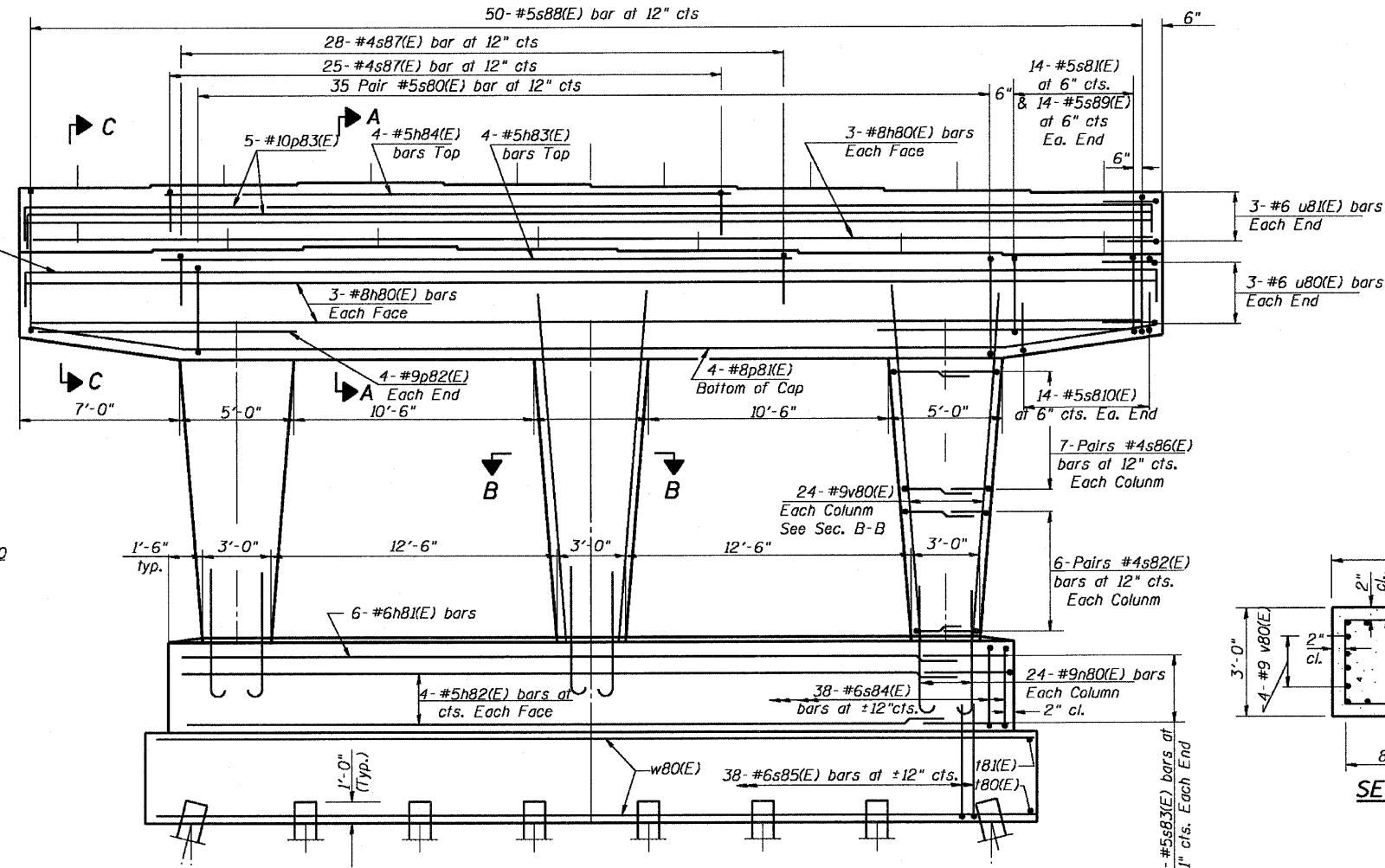
TOP PLAN



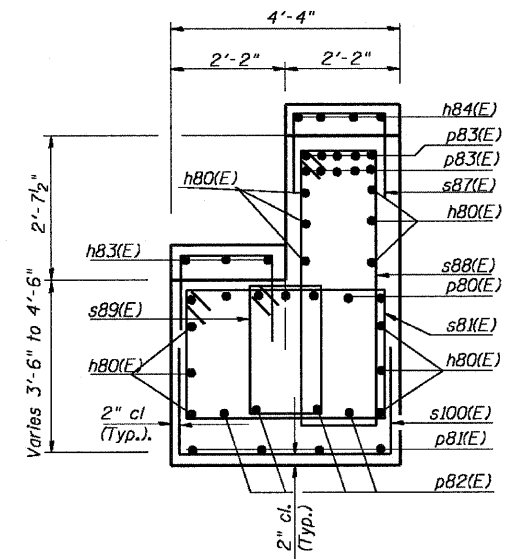
PILE DATA END VIEW

Type: HP12x74 with Pile Shoes
 Nominal Required Bearing = 589K
 Allowable Resistance Available = 196K
 Est. Length: 35'
 No. Production Piles: 15
 No. Test Piles: 1

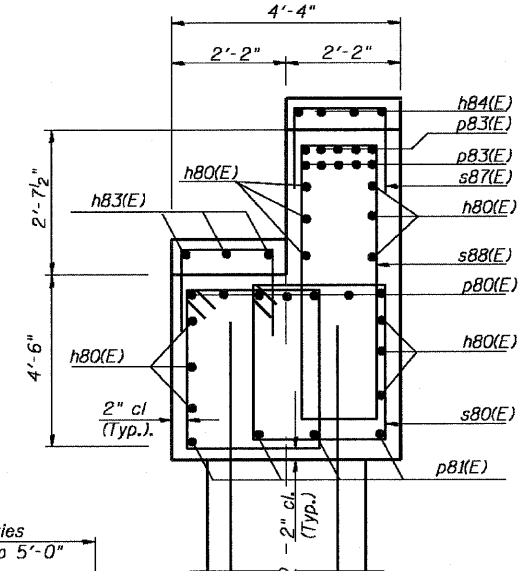
DESIGNED	- RJC
CHECKED	- DEV
DRAWN	- JHR
CHECKED	- DEV



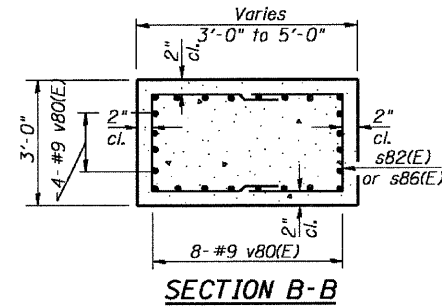
PIER 8 ELEVATION
 (Looking South)



SECTION C-C



SECTION A-A



SECTION B-B

PIER 8
 IL. 170 F.A.P. 786 OVER
 ILLINOIS RIVER AT SENECA
 PUBLIC WATERS
 LA SALLE COUNTY, SECTION 109 BR
 STATION 79+04.42
 STRUCTURE NO. 050-0246