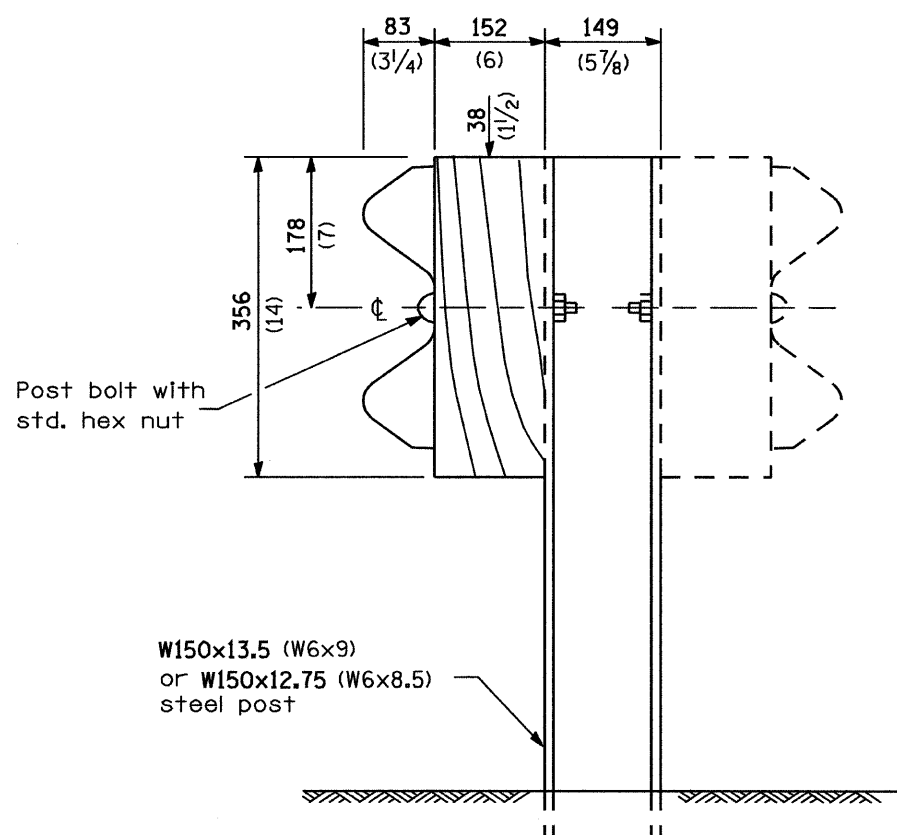
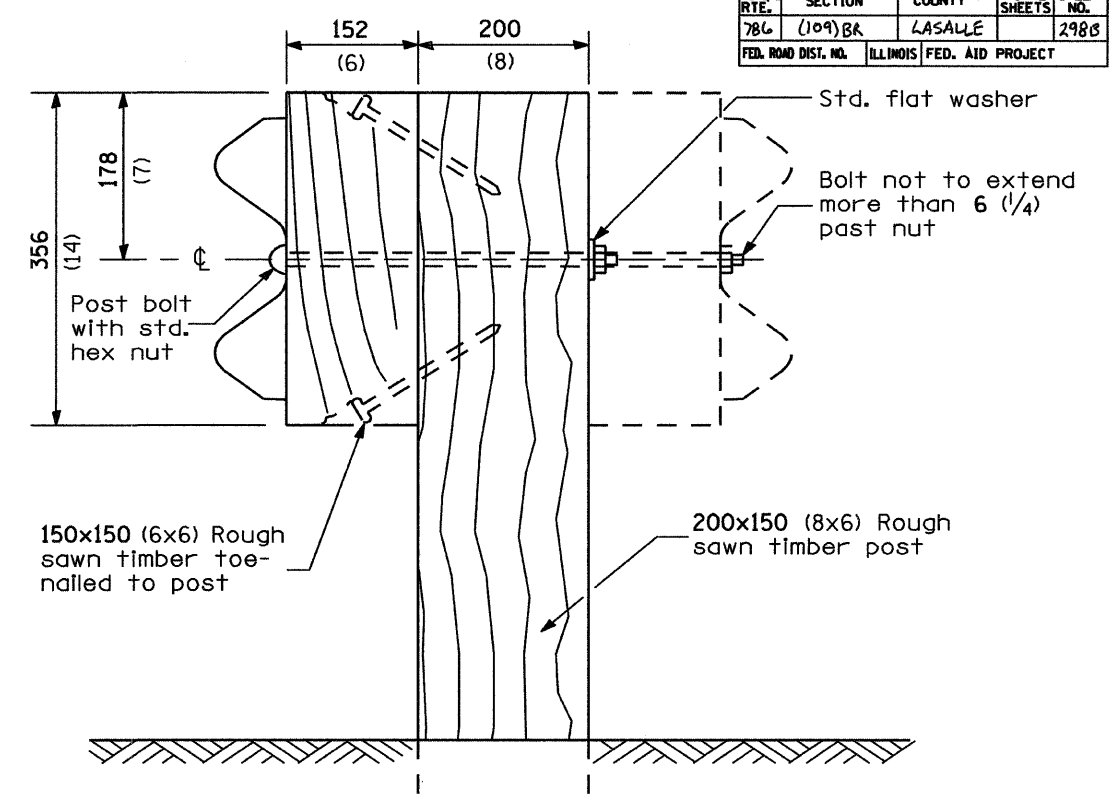


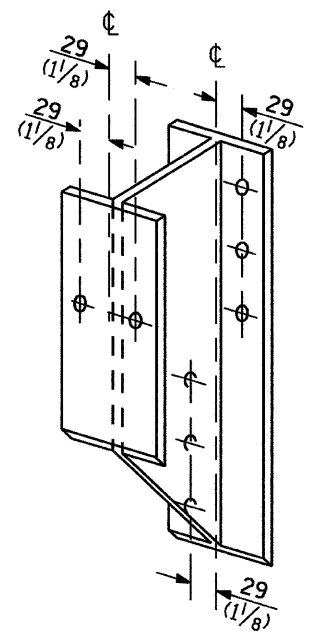
CONTRACT NO. 66607			
F.A.P. RTE.	SECTION	COUNTY	TOTAL SHEET NO.
786	(109)BA	LASALLE	298B
FED. ROAD DIST. NO.	ILLINOIS FED. AID PROJECT		



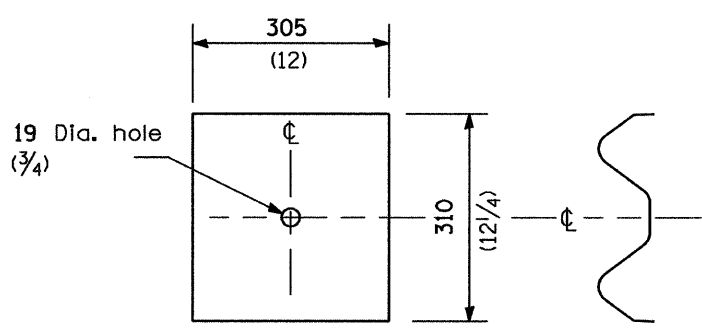
STEEL POST CONSTRUCTION



WOOD POST CONSTRUCTION



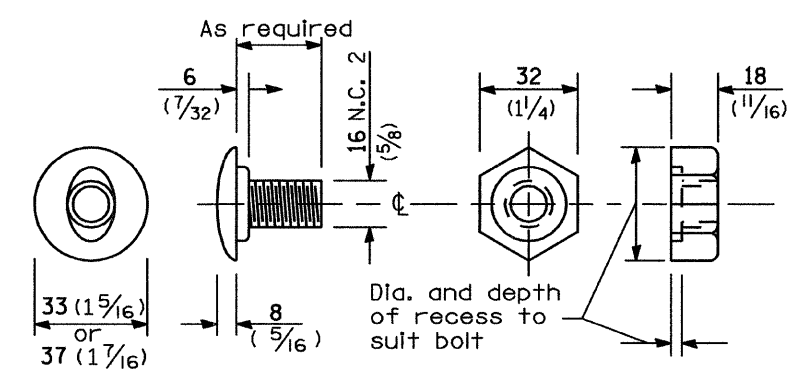
STEEL BLOCK-OUT DETAIL



NOTE

Plate A shall be placed between rail element and block-out at non-splice mounting points only when steel block-outs are used.

PLATE A



POST OR SPLICE BOLT & NUT

**REMOVE AND REERECT
STEEL PLATE BEAM GUARDRAIL**
(Sheet 2 of 4)
DETAIL