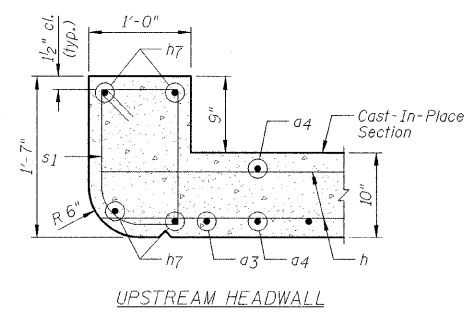
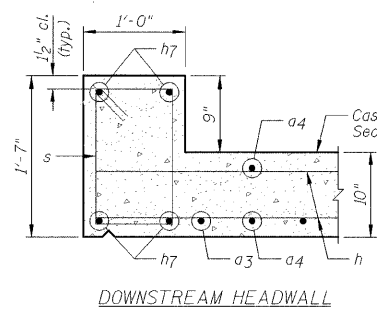
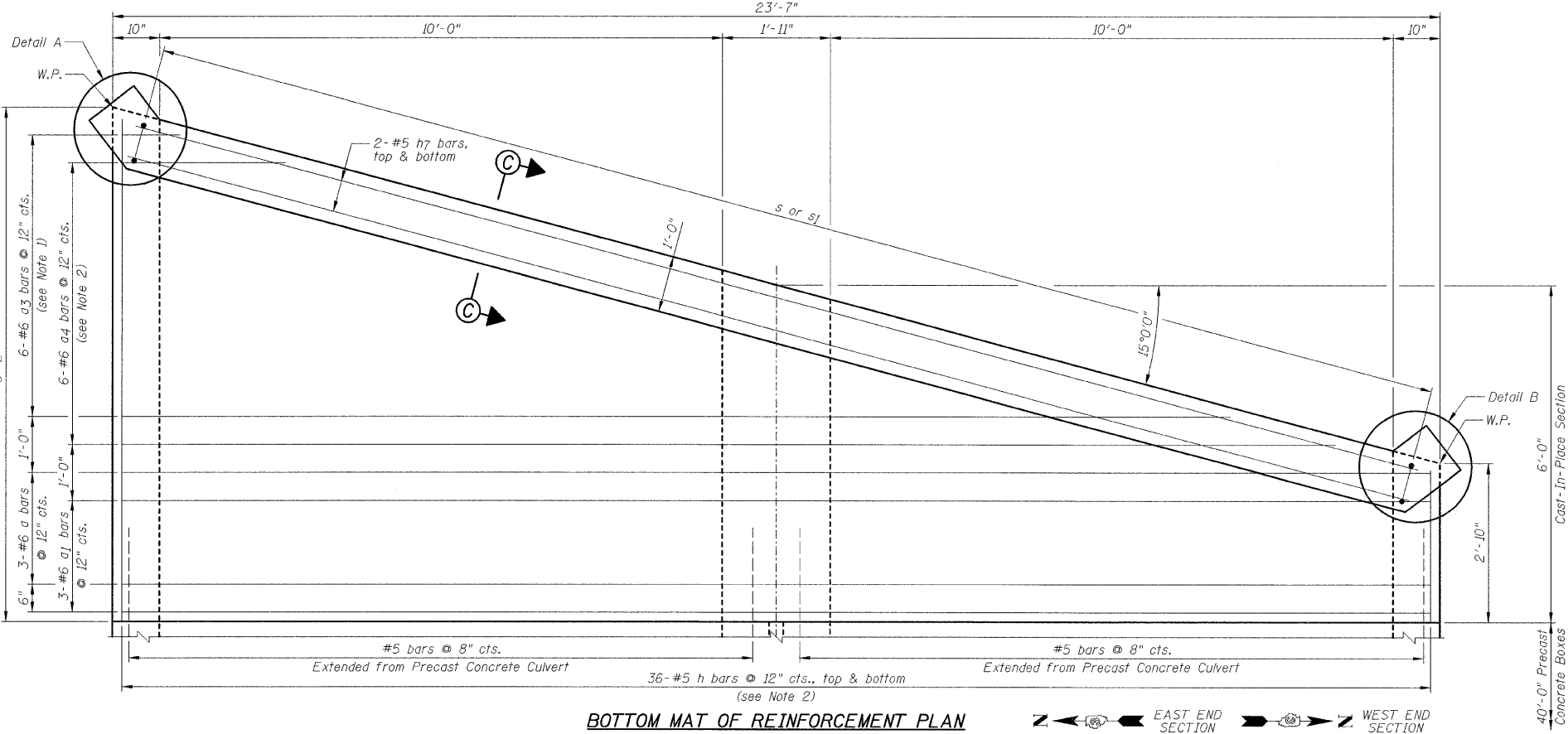
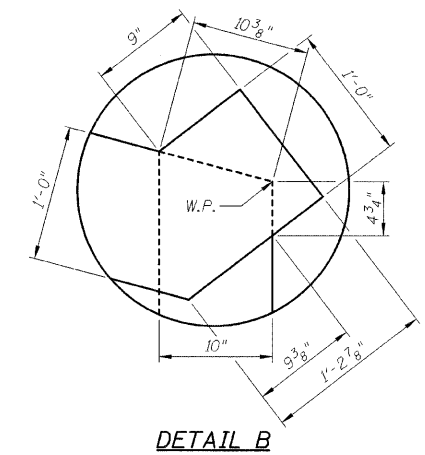
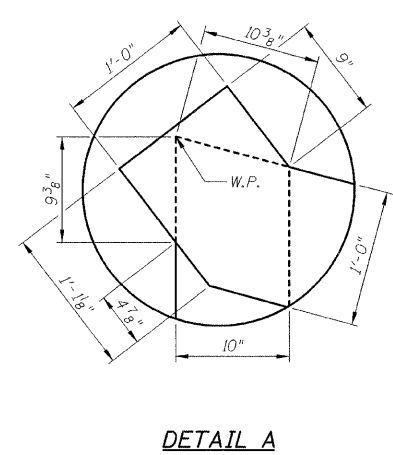
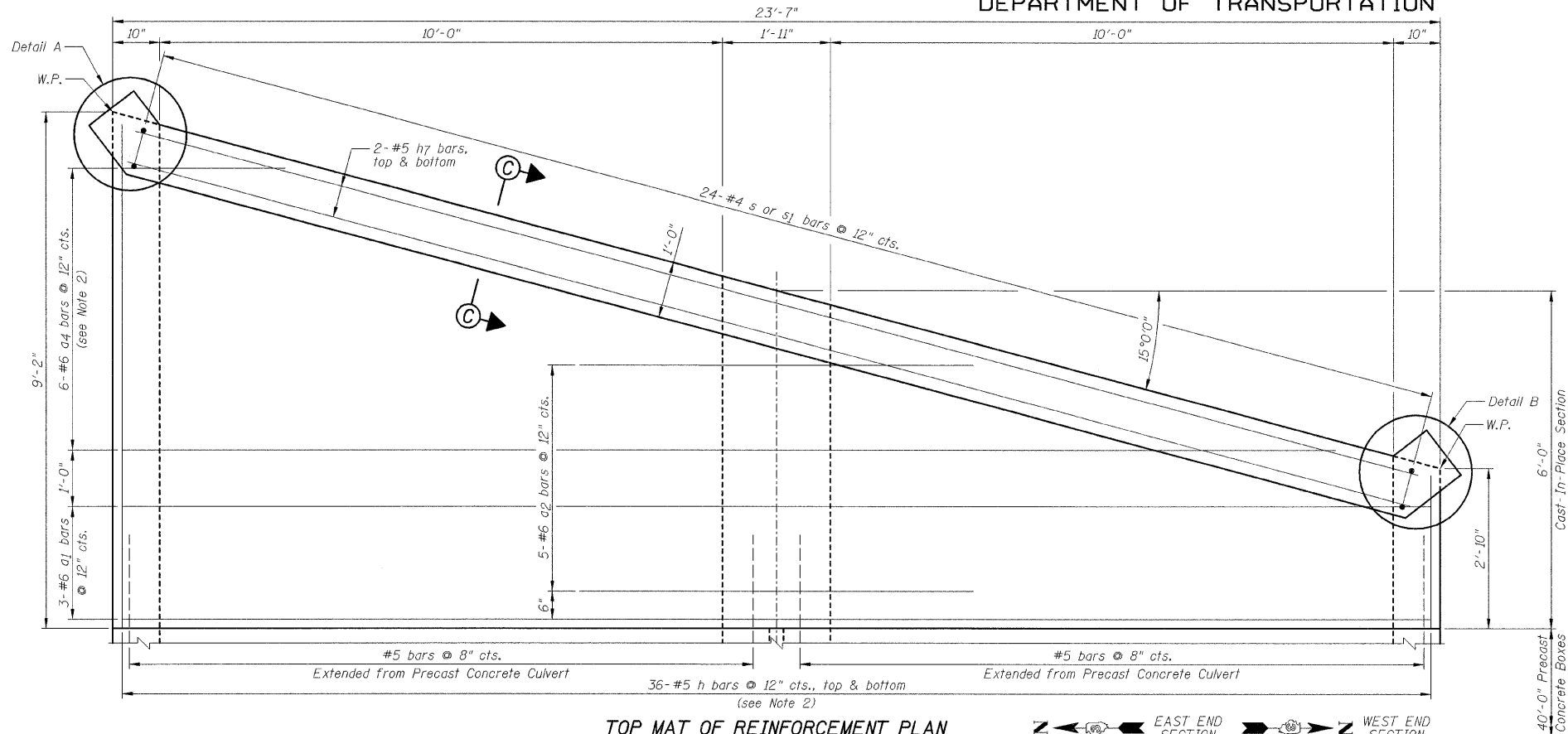


STATE OF ILLINOIS
DEPARTMENT OF TRANSPORTATION

F.A.P. RTE.	SECTION	COUNTY	TOTAL SHEETS	SHEET NO.
338	33 BR-1	IROQUOIS	27	16
STA.	TO STA.			
FED. ROAD DIST. NO.	ILLINOIS	FED. AID PROJECT		

SHEET NO. B4

OF 10 SHEETS



SECTION C-C

NOTES:

- 1.) Order a3 bars full length, cut according to Bar Cutting Diagram on Sheet B3. Use remainder of bars in opposite end.
- 2.) Order a4 and h bars full length, cut according to Bar Cutting Diagram on Sheet B3. Use remainder of bars in opposite mat.
- 3.) For Bill of Material, see Sheet B3.
- 4.) W.P. denotes Working Point.

REVISIONS	
NAME	DATE

ILLINOIS DEPARTMENT OF TRANSPORTATION
CAST-IN-PLACE CONCRETE CULVERT
TOP SLAB PLANS AND SECTIONS
F.A.P. 338 (US 45) OVER A DITCH
SECTION 33 BR-1
IROQUOIS COUNTY
STATION 2372+90.00
STRUCTURE NO. 038-2018

DESIGNED BY: JML DRAWN BY: DJM
DATE: 12/07/07 CHECKED BY: MSW