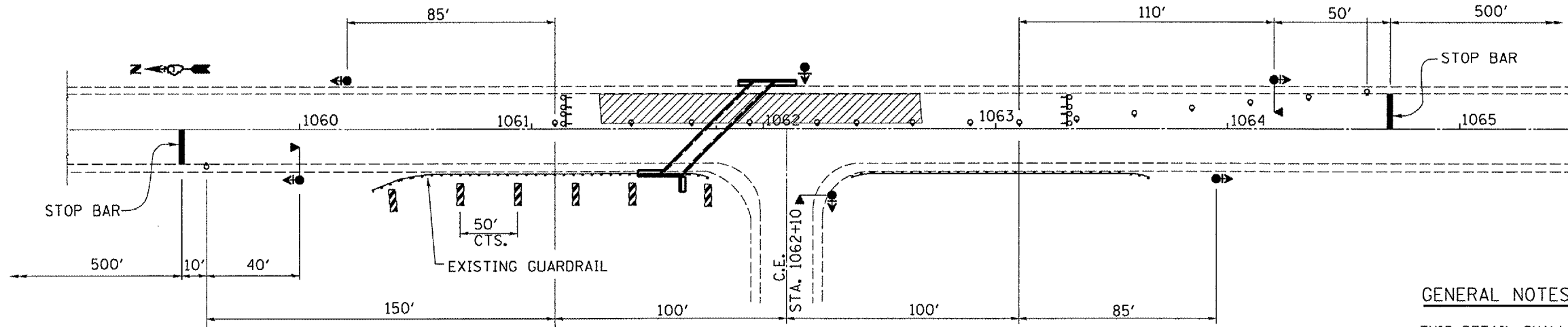
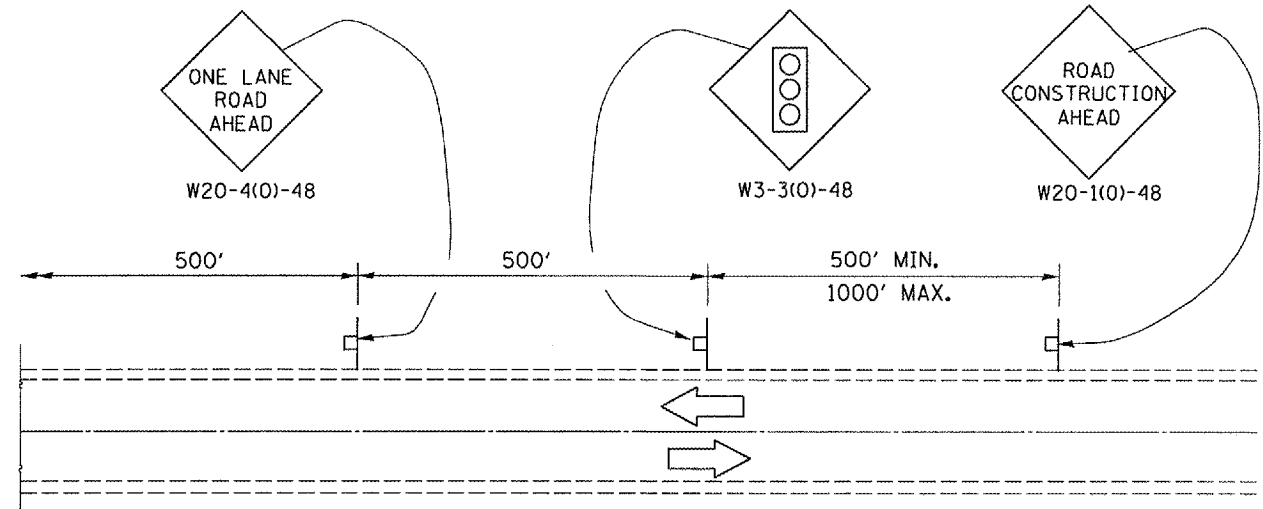
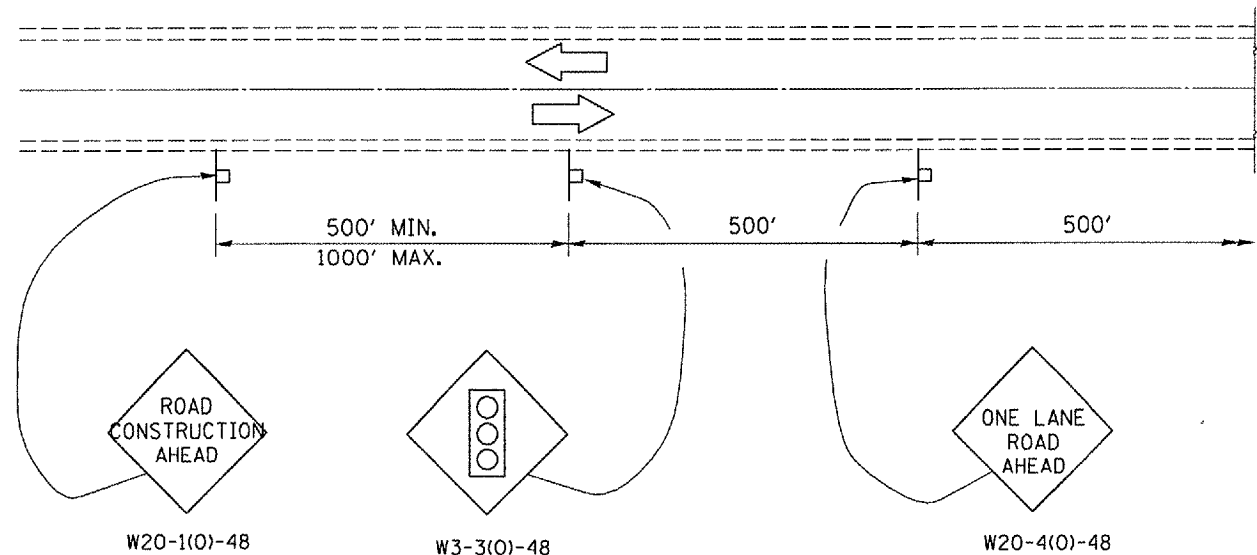


**TYPICAL ROADWAY SECTION
LOOKING SOUTH**



PLAN



SYMBOLS

- Work area
- Sign
- Type III barricade with steady burning light
- Drum with steady burning light
- Traffic signal with backplate
- Double vertical panel
- Microwave Detector

GENERAL NOTES

THIS DETAIL SHALL BE USED WHERE, AT ANY TIME, ANY VEHICLE, EQUIPMENT, WORKERS, OR THEIR ACTIVITIES WILL ENCROACH ON ONE LANE OF A 2L, 2W HIGHWAY OR BRIDGE. TRAFFIC SIGNALS SHALL BE REQUIRED. THIS DETAIL SHALL BE USED IN CONJUNCTION WITH TRAFFIC CONTROL AND PROTECTION STANDARD 701316.

WHEN TRAFFIC SIGNALS ARE NOT IN OPERATION, FLAGGERS SHALL BE USED AND TRAFFIC CONTROL SHALL CONFORM TO TRAFFIC CONTROL AND PROTECTION STANDARDS 701201 OR 701206.

BIDIRECTIONAL LIGHTS SHALL BE USED AT NIGHT ALONG THE CENTERLINE WHERE THE WORK AREA IS SEPARATED FROM THE TRAVEL LANE USING DRUMS. MONO DIRECTIONAL LIGHTS SHALL BE USED AT NIGHT ON ALL OTHER DRUMS.

EXISTING OR TEMPORARY PAVEMENT MARKING SHALL BE ON BOTH SIDES OF THE OPEN LANE FROM STOP BAR TO STOP BAR.

FILE NAME :
c:\projects\main\08\cm314\de tails.dgn

USER NAME : woodshank-r
PLOT SCALE = 183.4829' / IN.
PLOT DATE = Dec 12, 2007 - 07:42:02 AM

DESIGNED - RON WOODSHANK
DRAWN - RON WOODSHANK
CHECKED -
DATE -

REVISED -
REVISED -
REVISED -
REVISED -

**STATE OF ILLINOIS
DEPARTMENT OF TRANSPORTATION**

STAGING DETAILS - NB

SCALE: SHEET NO. 6 OF 6 SHEETS STA. 1061+00 TO STA. 1063+00

F.A.P. RTE.	SECTION	COUNTY	TOTAL SHEETS	SHEET NO.
316	(114)1	BUREAU	14	6
FED. ROAD DIST. NO. - ILLINOIS			CONTRACT NO. 66729	