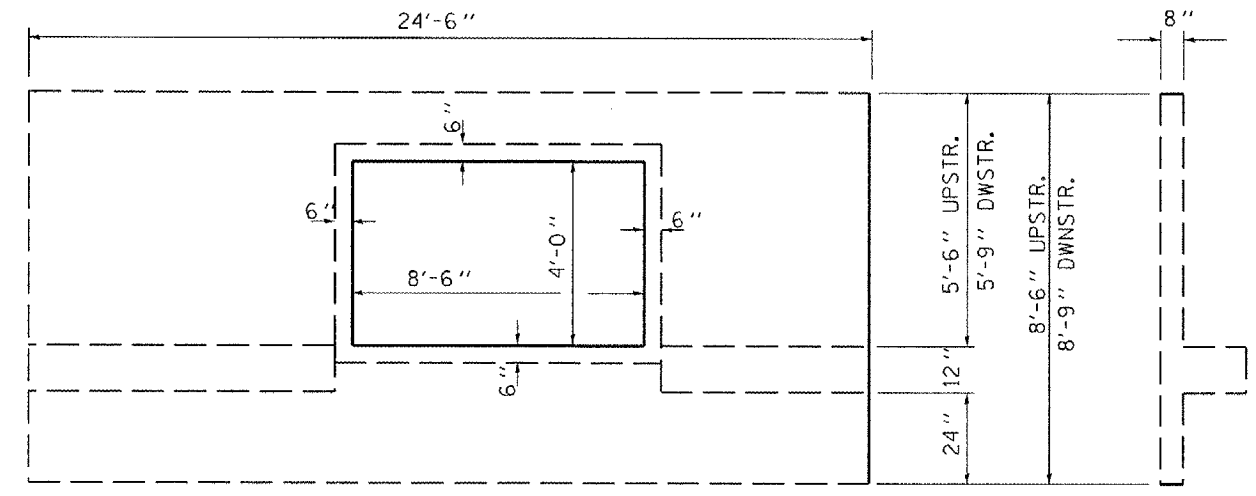


ELEVATION
LOOKING SOUTH



END ELEVATION

TOTAL BILL OF MATERIALS

ITEM	UNIT	UPSTR.	DNSTR.	TOTAL
TEMPORARY SOIL RETENTION SYSTEM	SO. FT.	352	352	704
STRUCTURE EXCAVATION	CU. YD.	23.8	26.4	50.2
CONCRETE REMOVAL	CU. YD.	9	9	18
CONCRETE BOX CULVERTS	CU. YD.	9	9	18
REINFORCEMENT BARS EPOXY COATED	POUNDS	1650	1540	3190
SHEET WATERPROOFING MEMBRANE SYSTEM	SO. YD.	30	31	61
FURNISHED EXCAVATION	CU. YD.	23.8	26.4	50.2

FAP ROUTE 316 (IL 26)
SECTION (114)
BUREAU COUNTY
STA. 1061+80
S.N. 006-2515

FILE NAME *	USER NAME = #USER#	DESIGNED - RON WOODSHANK	REVISED - ---	STATE OF ILLINOIS DEPARTMENT OF TRANSPORTATION	EXISTING PLAN AND ELEVATION	F.A.P. RTE. 316	SECTION (114)	COUNTY BUREAU	TOTAL SHEETS 14	SHEET NO. 8
#FILE#	DRAWN - RON WOODSHANK	REVISED - ---	SCALE:			SHEET NO. 1 OF 6 SHEETS	STA. 1061+00 TO STA. 1063+00	FED. ROAD DIST. NO. ILLINOIS	CONTRACT NO. 66729	
PLOT SCALE = #SCALE#	CHECKED - ---	REVISED - ---								
PLOT DATE = #DATE#	DATE - ---	REVISED - ---								