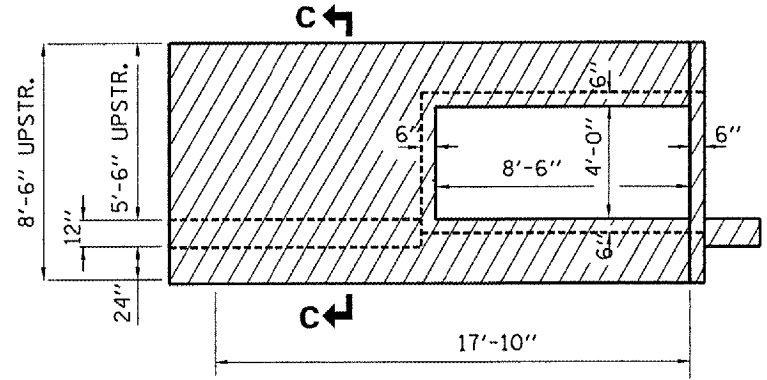
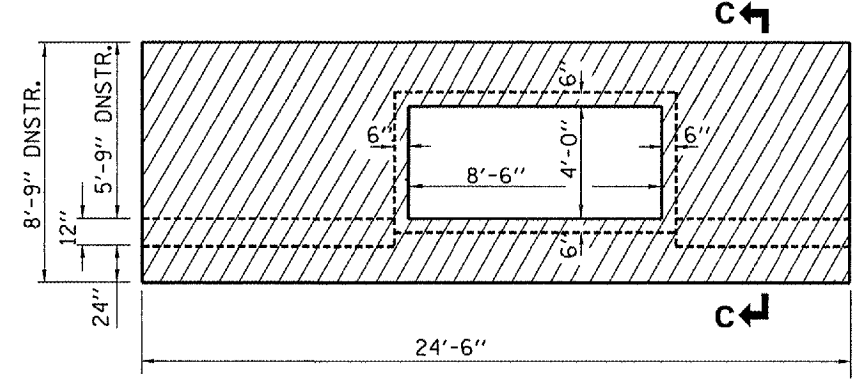


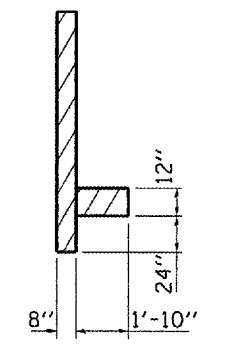
ELEVATION



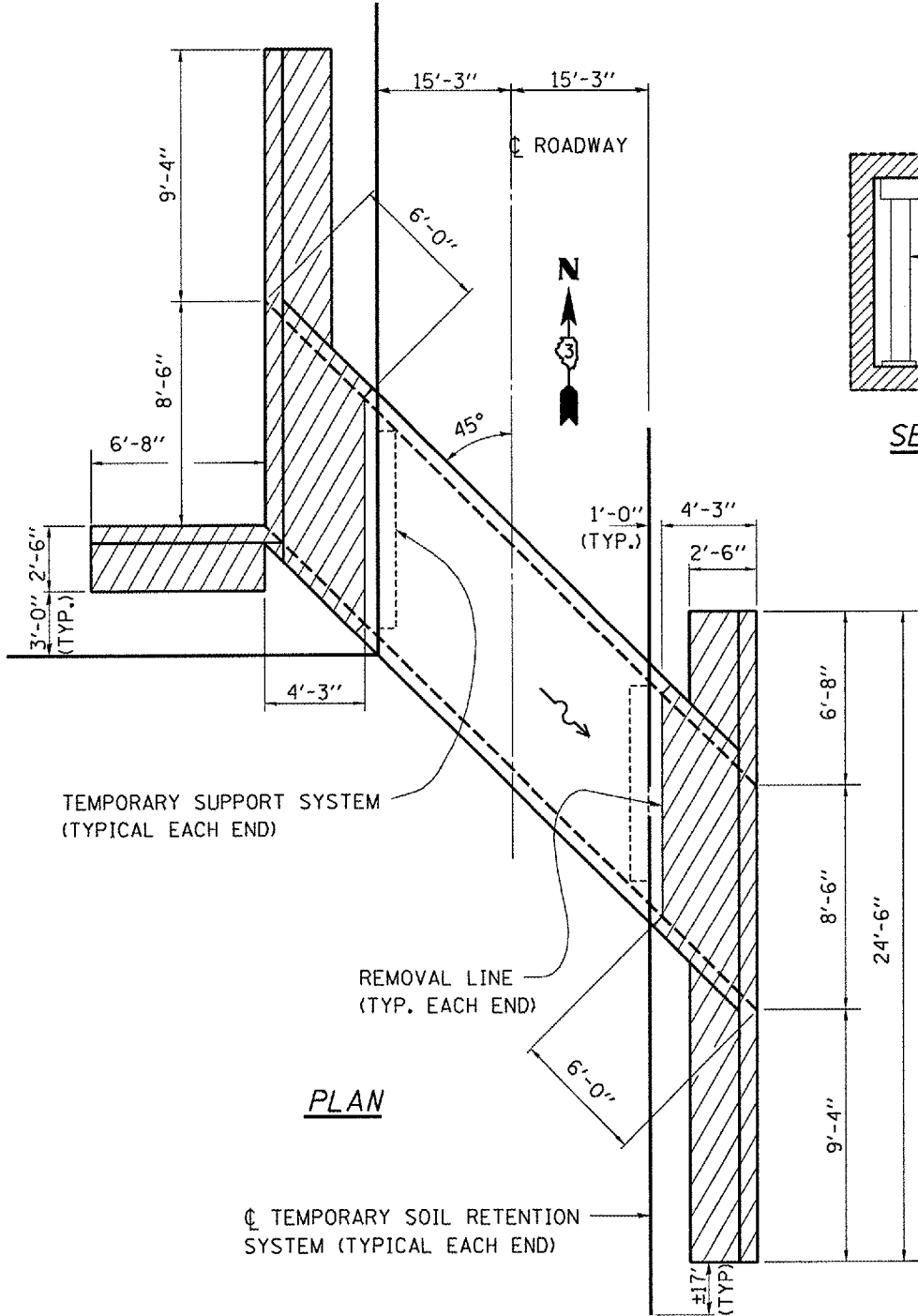
DOWNSTREAM END ELEVATION



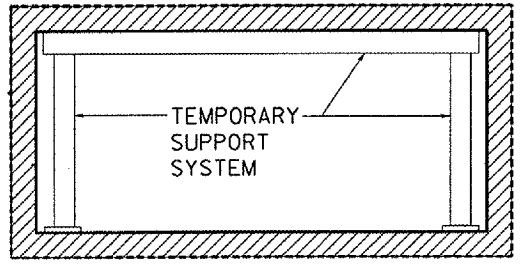
UPSTREAM END ELEVATION



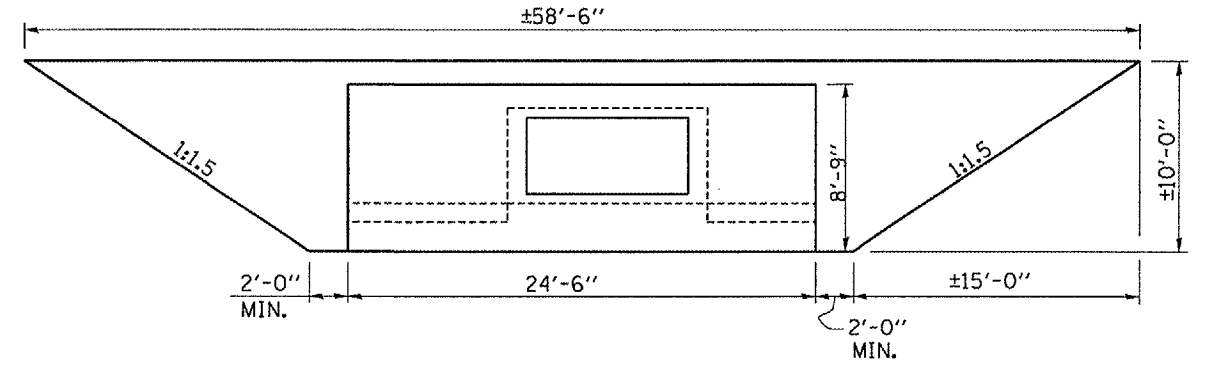
SECTION C-C



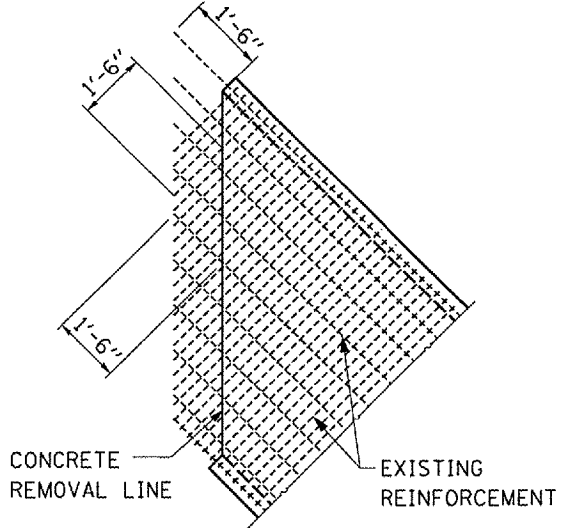
PLAN



SECTION THROUGH BARREL



TEMPORARY SOIL RETENTION SYSTEM



DETAIL AT REMOVAL LINE

TYPICAL ON ALL FOUR SIDES
EXISTING REINFORCEMENT EXTENDING INTO REMOVAL AREA, SHALL BE CUT AS SHOWN, CLEANED, STRAIGHTENED AND INCORPORATED INTO NEW CONSTRUCTION

NOTES

PLAN DIMENSIONS AND DETAILS HAVE BEEN TAKEN FROM ORIGINAL PLAN DETAILS WHICH HAVE BEEN INCLUDED ELSEWHERE IN THE PLANS. ORIGINAL PLAN DETAILS ARE "FOR INFORMATION ONLY" AND SHALL NOT BE USED FOR THE PROPOSED RECONSTRUCTION.

SAW CUTS MADE AT THE LIMITS OF THE CONCRETE BOX REMOVAL SHALL BE FULL THICKNESS OF THE TOP, BOTTOM AND WALLS OF THE EXISTING BOX.

THE CONTRACTOR SHALL EXERCISE CARE WHEN SAW CUTTING AND REMOVING THE CONCRETE BOX SO THAT DAMAGE TO THE CONCRETE THAT IS TO REMAIN IN PLACE WILL NOT OCCUR. IF DAMAGE OCCURS TO THE CONCRETE THAT IS TO REMAIN, DUE TO THE CONTRACTOR'S REMOVAL OPERATIONS, THE DAMAGED AREAS SHALL BE REPAIRED TO THE SATISFACTION OF THE ENGINEER AT THE CONTRACTOR'S EXPENSE.

BILL OF MATERIAL

CONCRETE REMOVAL	CU. YD.	18
TEMPORARY SUPPORT SYSTEM	EACH	2
TEMPORARY SOIL RETENTION SYSTEM	SQ FT	704

FAP ROUTE 316 (IL 26)
SECTION (114)I
BUREAU COUNTY
STA. 1061+80
S.N. 006-2515

FILE NAME =	USER NAME = woodshankr1	DESIGNED - RON WOODSHANK	REVISED -
ca\projects\main\08\cm314\details.dgn		DRAWN - RON WOODSHANK	REVISED -
	PLOT SCALE = 103.4829' / IN.	CHECKED -	REVISED -
	PLOT DATE = Dec 12, 2007 - 07:42:28 AM	DATE -	REVISED -

STATE OF ILLINOIS
DEPARTMENT OF TRANSPORTATION

CONCRETE REMOVAL
SCALE: SHEET NO. 1 OF 6 SHEETS STA. 1061+00 TO STA. 1063+00

F.A.P. RTE. 316	SECTION (114)I	COUNTY BUREAU COUNTY	TOTAL SHEETS 14	SHEET NO. 10
FED. ROAD DIST. NO. ILLINOIS			CONTRACT NO. 66729	