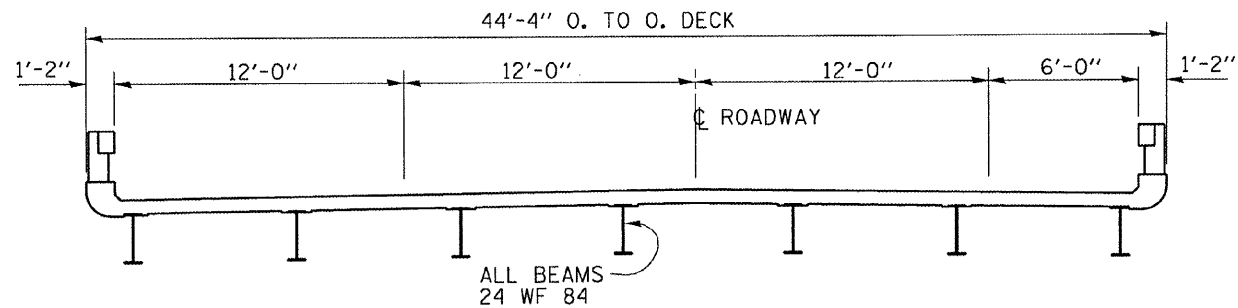


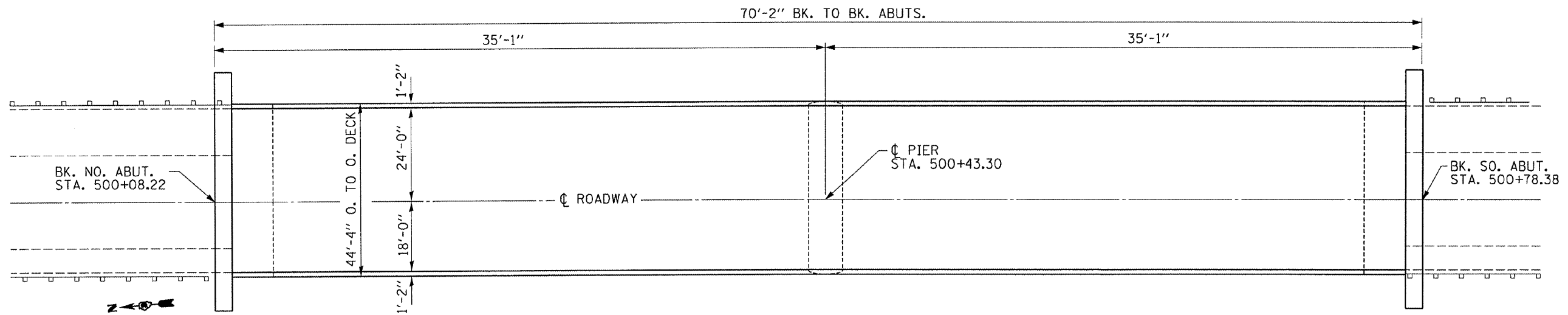
ELEVATION



CROSS SECTION

*TOTAL BILL OF MATERIALS
S.N. 046-0001*

ITEM		TOTAL
CLEANING AND PAINTING STEEL BRIDGE NO. 1	L SUM	1
CONTAINMENT AND DISPOSAL OF LEAD PAINT	L SUM	1
CLEANING RESIDUES NO. 1		
BRIDGE CLEANING AND PAINTING WARRANTY NO. 1	L SUM	1



PLAN

GENERAL PLAN AND ELEVATION
 F.A.I. ROUTE 57 OVER MINNIE CREEK
 F.A.I. ROUTE 57 SECTION 46-4B
 KANKAKEE COUNTY
 STA. 500+43.3
 S.N. 046-0001

FILE NAME =	USER NAME = woodshankr1	DESIGNED - RON WOODSHANK	REVISED -	STATE OF ILLINOIS DEPARTMENT OF TRANSPORTATION	PLAN AND ELEVATION - S.N. 046-0001	F.A.I. SECTION	COUNTY	TOTAL SHEETS	SHEET NO.
c:\projects\bridgepoint\08\046-0001 & B	DRAWN - RON WOODSHANK	REVISED -	57			46(4)VB,4BIBP	KANKAKEE	12	3
PLOT SCALE = 206.8858 / IN.	CHECKED -	REVISED -	CONTRACT NO. 66738						
PLOT DATE = Dec 05, 2007 - 10:48:29 AM	DATE -	REVISED -	FED. ROAD DIST. NO. [ILLINOIS]						