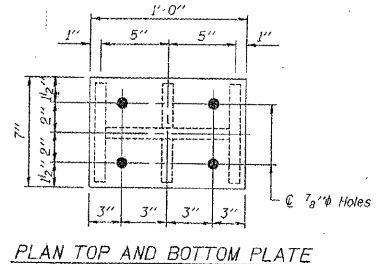
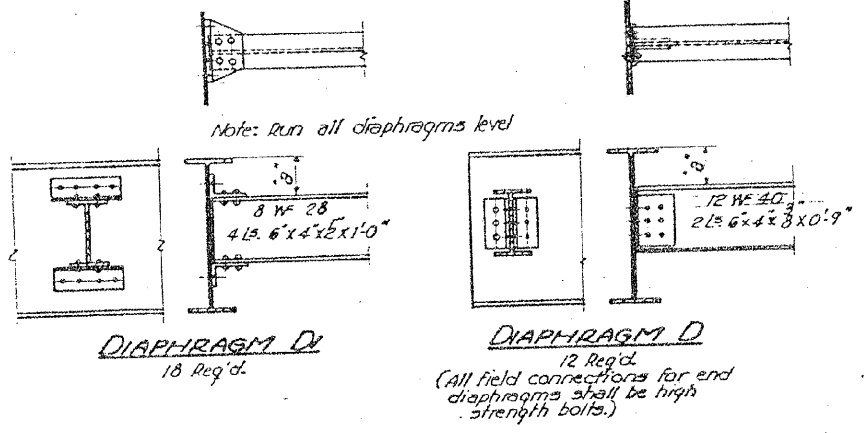
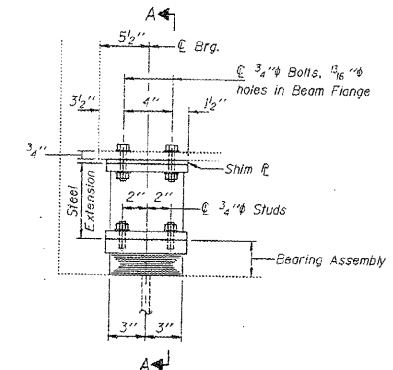


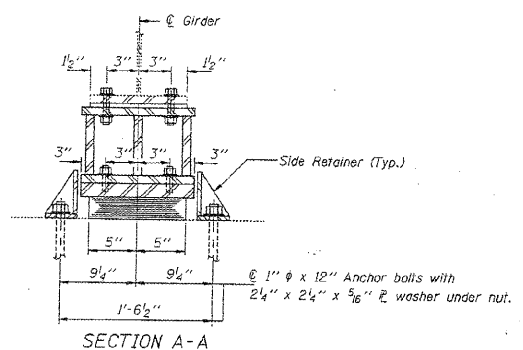
FRAMING PLAN



PLAN TOP AND BOTTOM PLATE

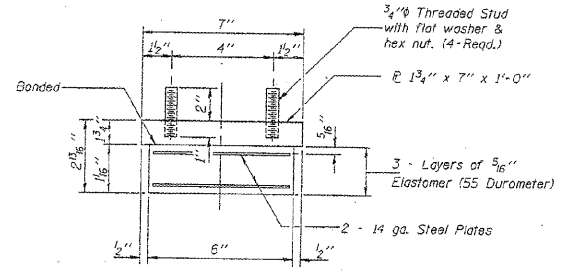


ELEVATION AT ABUTMENTS

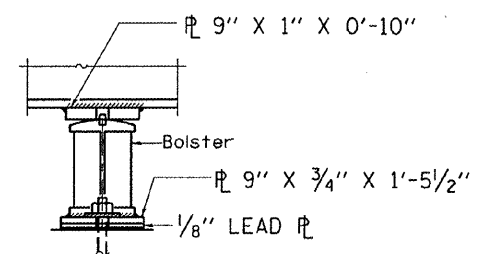


SECTION A-A

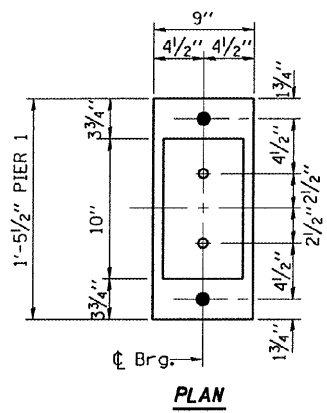
TYPE I ELASTOMERIC EXP. BRG.



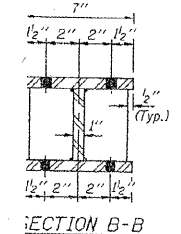
BEARING ASSEMBLY



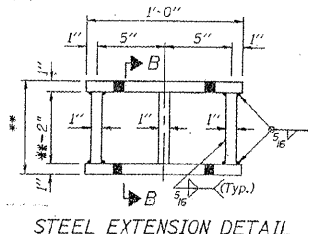
PIER



PLAN



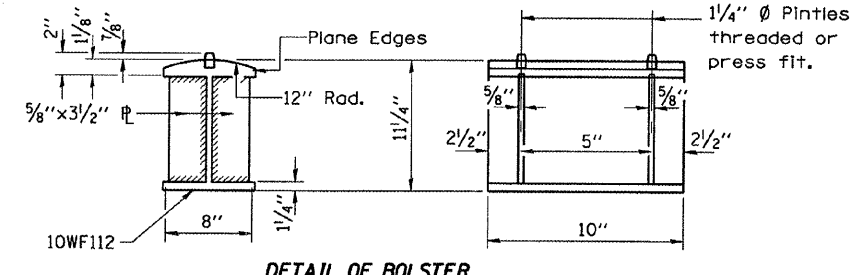
SECTION B-B



STEEL EXTENSION DETAIL

Location	*** Girder	1	2	3	4	5	6	7
North Abutment	Steel Extension	11 1/4"	11 1/4"	11 1/4"	11 1/4"	11 1/4"	11 1/4"	11 1/4"
	Shim thickness	-	1/8"	-	3/8"	-	5/8"	3/8"
South Abutment	Steel Extension	11"	11"	11"	11"	11"	11"	11"
	Shim thickness	1/8"	1/8"	3/8"	3/8"	1/8"	-	5/8"

*** Girder designation is from West to East



DETAIL OF BOLSTER AT PIER

FILE NAME =	USER NAME = woodshankr1	DESIGNED - RON WOODSHANK	REVISED -
c:\projects\bridgepoint_06\046-0001 & 8\dwg		DRAWN - RON WOODSHANK	REVISED -
		CHECKED -	REVISED -
		DATE -	REVISED -

**STATE OF ILLINOIS
DEPARTMENT OF TRANSPORTATION**

STRUCTURAL STEEL - S.N. 046-0001

F.A.I. RTE.	SECTION	COUNTY	TOTAL SHEETS	SHEET NO.
57	4614HVB,4BIBP	KANKAKEE	12	9
FED. ROAD DIST. NO. ILLINOIS			CONTRACT NO. 66738	

SCALE: SHEET NO. 9 OF 12 SHEETS