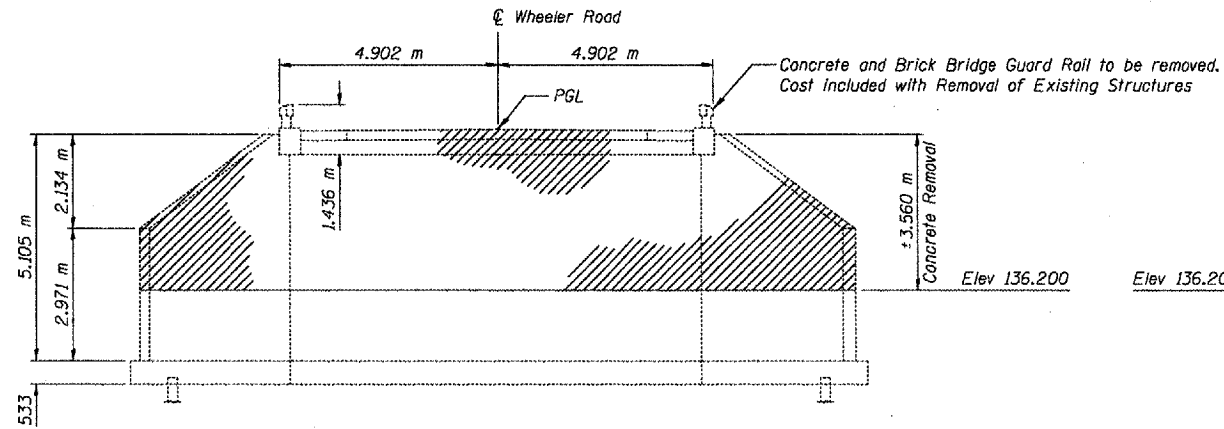


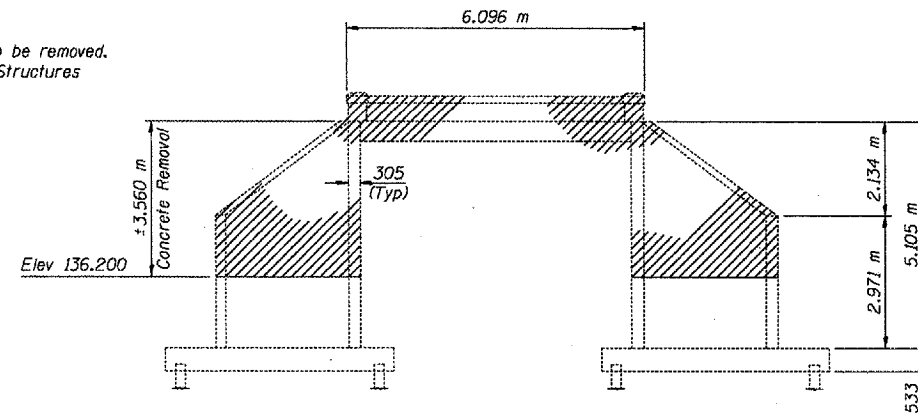
STATE OF ILLINOIS
DEPARTMENT OF TRANSPORTATION

ROUTE NO.	SECTION	COUNTY	SHEETS	SHEET NO.
FAP, 317	44B)BR	PEORIA	31	15
9 SHEETS				
FED. AID DIST. NO. 7	DISTRICT	FED. AID PROJECT		
Contract No. 68217				



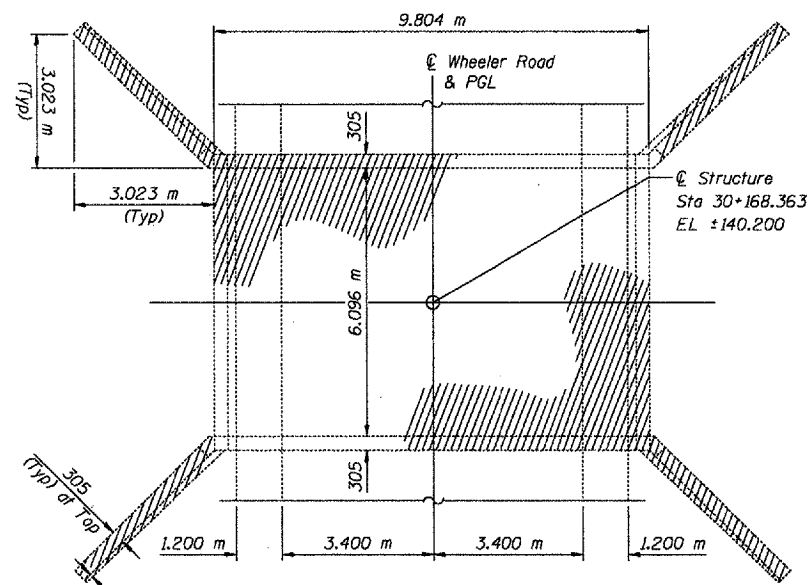
EXISTING ELEVATION

(Looking East)
Dimensions shown at Right Angle
to $\text{\textcircled{C}}$ of Roadway



EXISTING CROSS SECTION

(Looking South)
Dimensions shown Parallel
to $\text{\textcircled{C}}$ of Roadway



PLAN

DESIGNED	BG
CHECKED	DSE
DRAWN	RD
CHECKED	DSE
DATE	AUGUST 31, 2004

LEGEND

Indicates removal of Existing Structures

NOTES:

- Existing dimensions and elevation shown are approximates, to be verified in field. See General Note 4, Sheet 2.
- Remove existing concrete as shown. Cut-off existing reinforcing flush with the remaining concrete.

Illinois Firm Registration No. 04-00533



Stanley Consultants Inc.
250 West Higgins Road, Suite 130, Chicago, Illinois 60639-2800
www.stanleygroup.com

REMOVAL AND STAGE CONSTRUCTION
WHEELER ROAD OVER
DRY RUN CREEK
FAP RTE 317 SECTION (44B)BR
PEORIA COUNTY
STA 30+168.363
STRUCTURE NUMBER 072-2034

*****FILENAME*****
*****DATE*****