

ROUTE NO.	SECTION	COUNTY	TOTAL SHEETS	SHEET NO.
SBI 9	(44B)BR	Peoria	31	23
DIST. NO. 4		ILLINOIS		

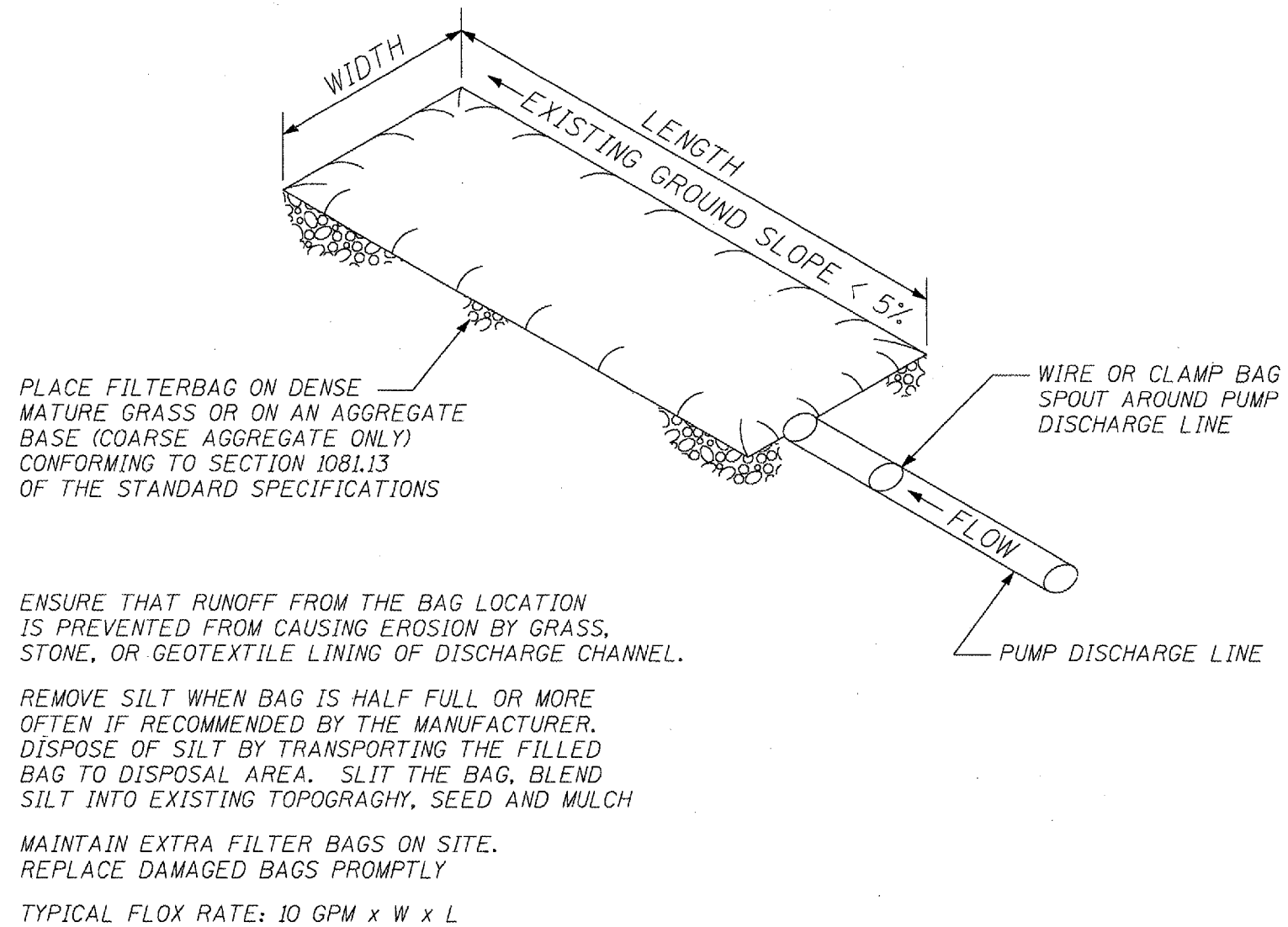


FIGURE S1. SEDIMENT FILTER BAG

NOTE: DEWATERING SYSTEM DETAILS SHALL BE USED IN CONJUNCTION WITH THE PROJECT SPECIAL PROVISIONS.

ILLINOIS DEPARTMENT OF TRANSPORTATION
**DEWATERING SYSTEM
 DETAILS**