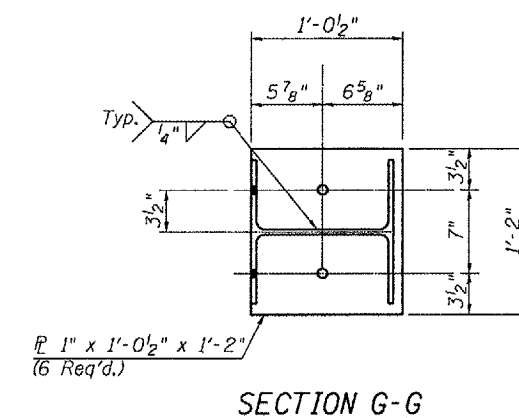
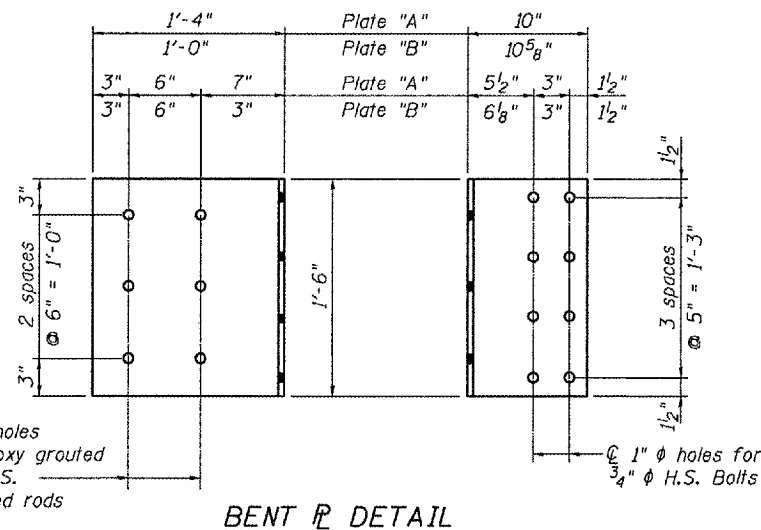
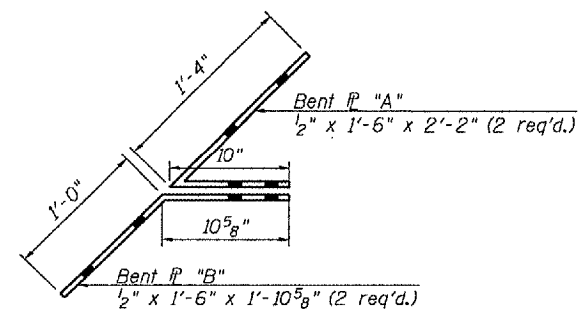
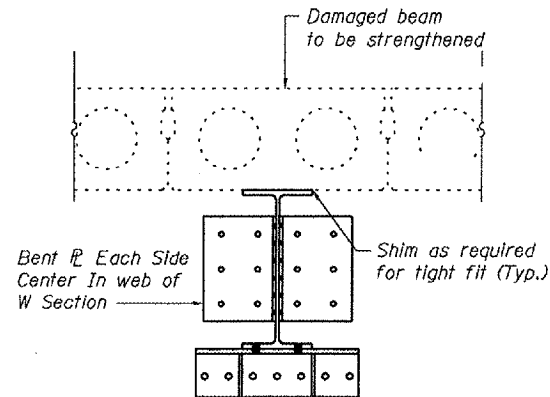
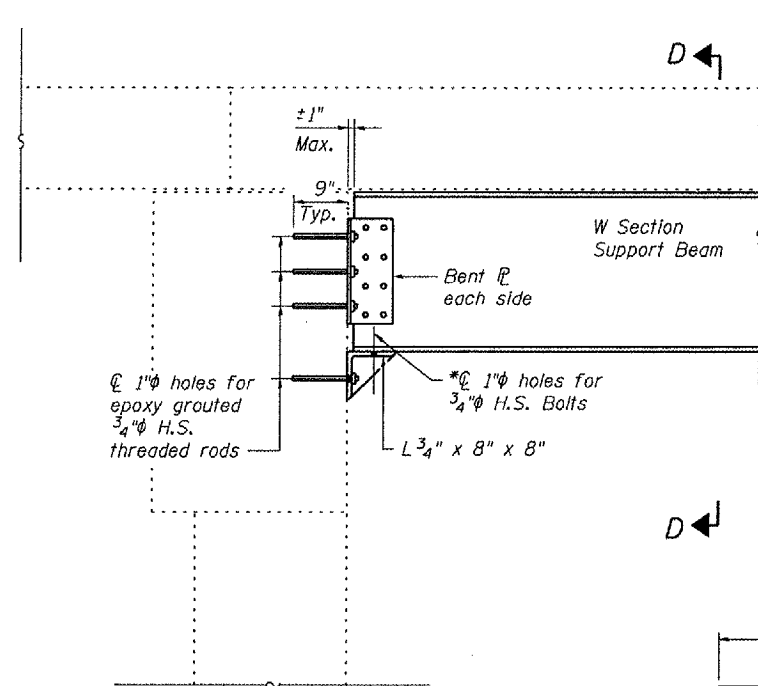
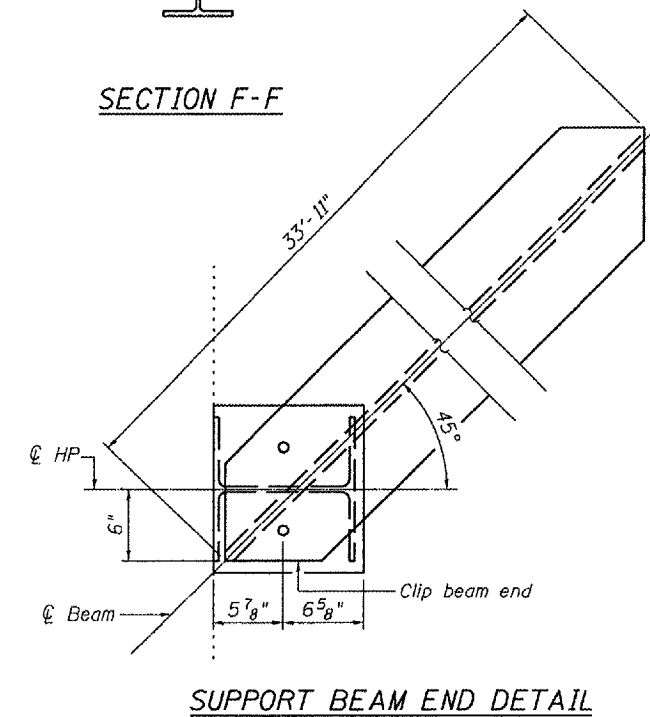
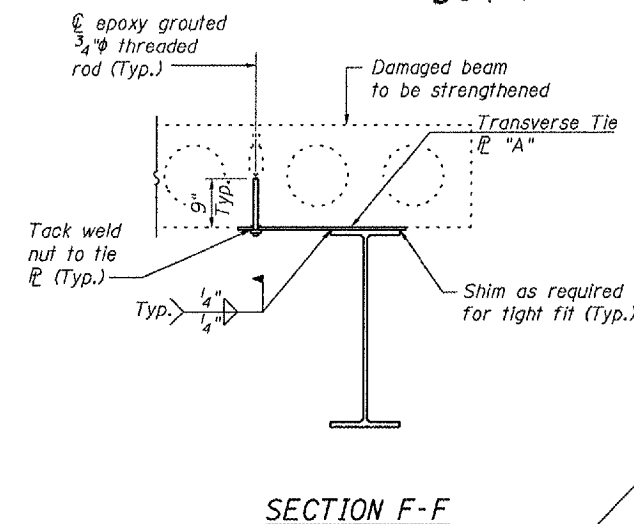
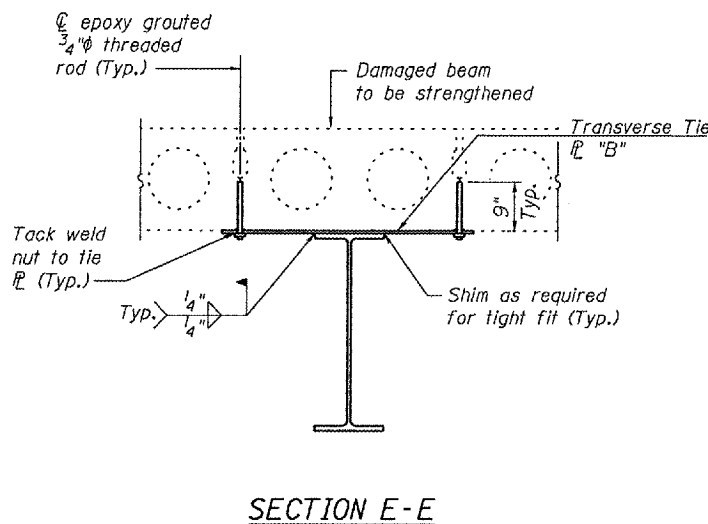
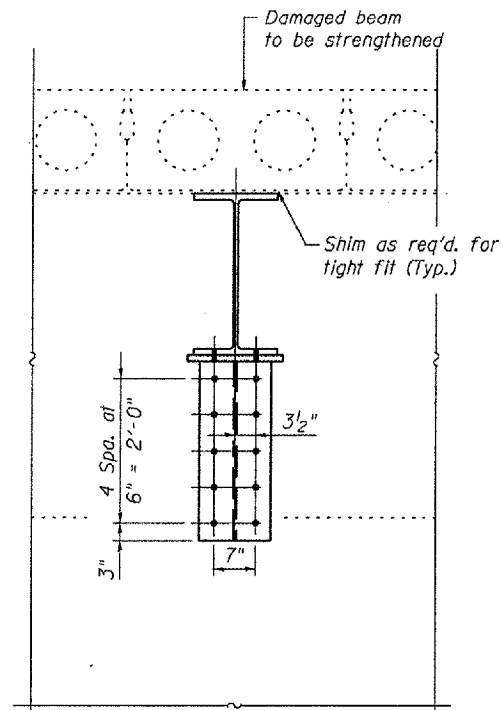
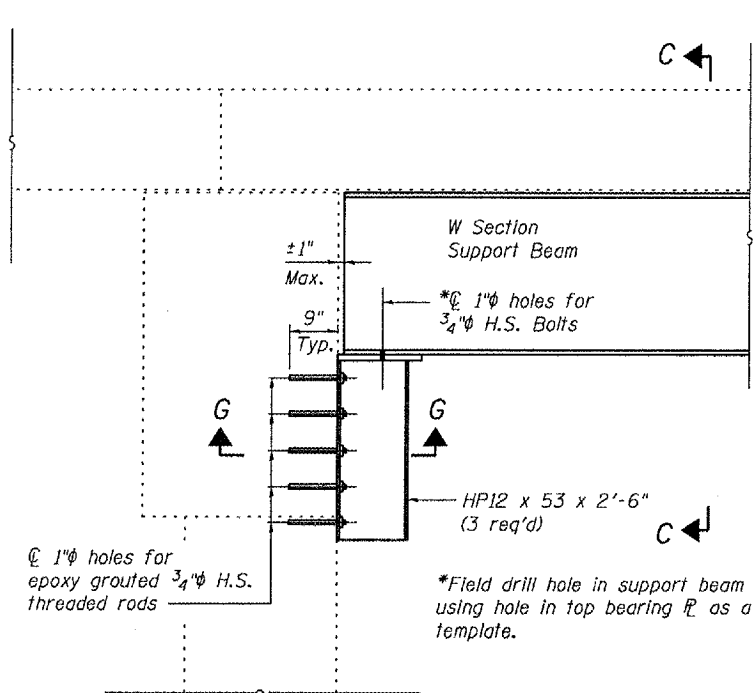


STATE OF ILLINOIS
DEPARTMENT OF TRANSPORTATION

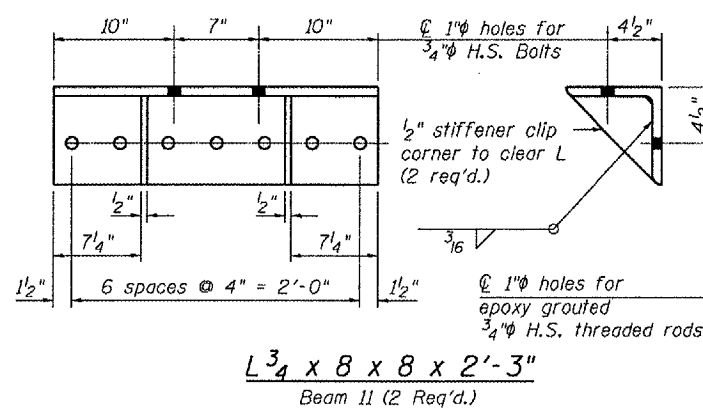
ROUTE NO.	SECTION	COUNTY	TOTAL SHEETS	SHEET NO.	SHEET NO. 2 3 SHEETS
FAP 685		McDonough	11	11	
FED. ROAD DIST. NO. 7		ILLINOIS	FED. AID PROJECT		

Contract # 68765



DESIGNED	CMV
CHECKED	SDS
DRAWN	DLH
CHECKED	CMV

WHKS & CO.
ENGINEERS PLANNERS LAND SURVEYORS
MASON CITY, IOWA DUBUQUE, IOWA AMES, IOWA
E. DUBUQUE, ILLINOIS SPRINGFIELD, ILLINOIS ROCHESTER, MINNESOTA



REPAIR DETAILS
FAP RTE 685 / IL RTE 9
OVER LITTLE CREEK
McDONOUGH COUNTY
S.N. 055-0012