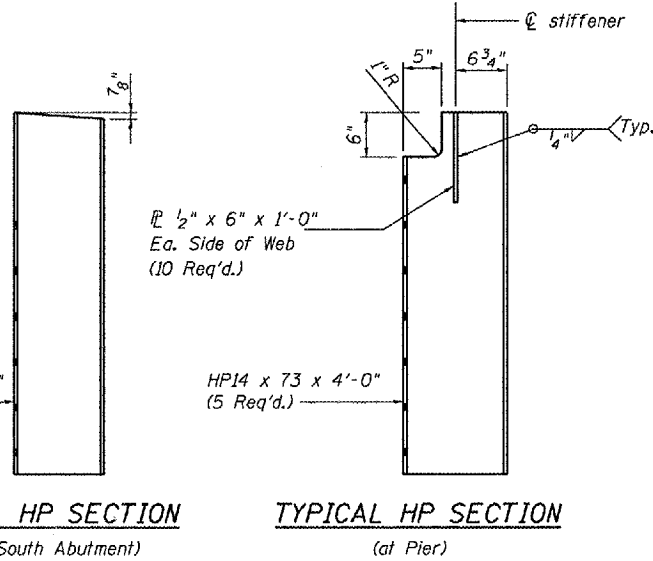
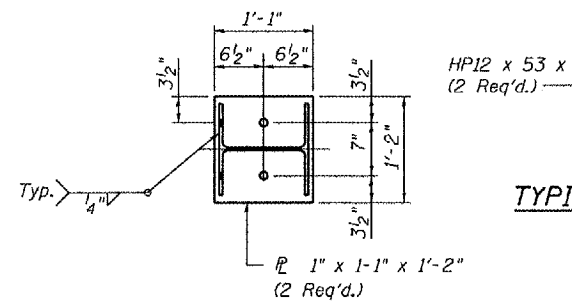
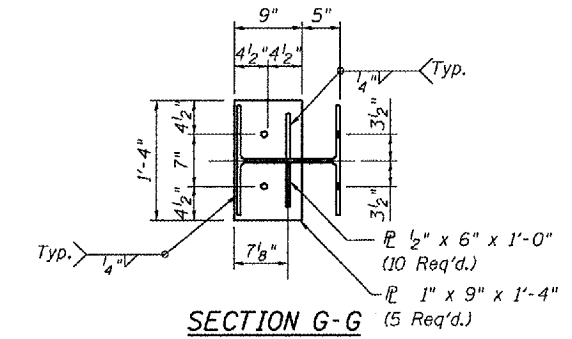
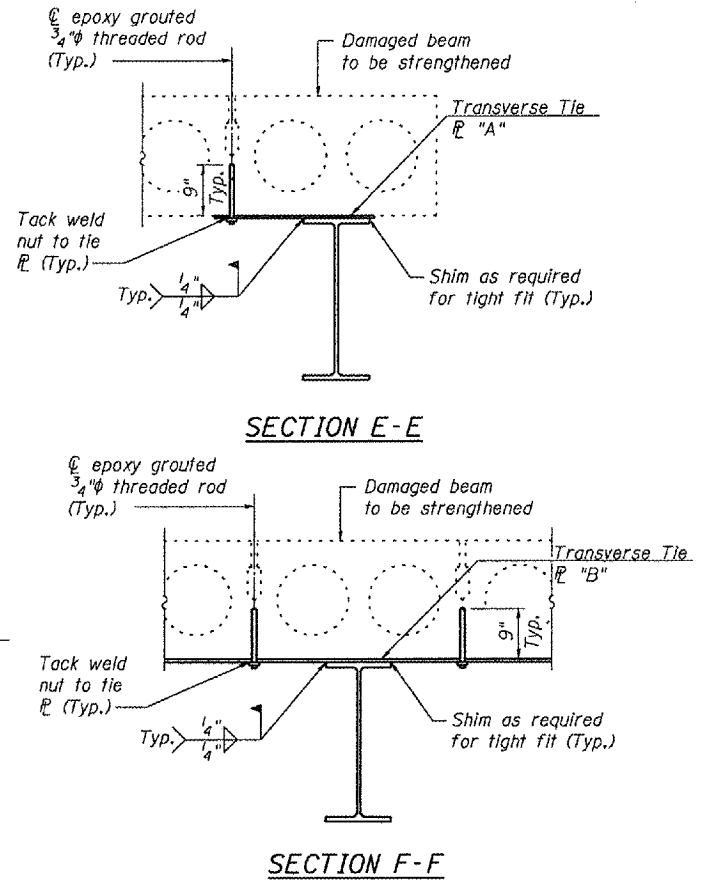
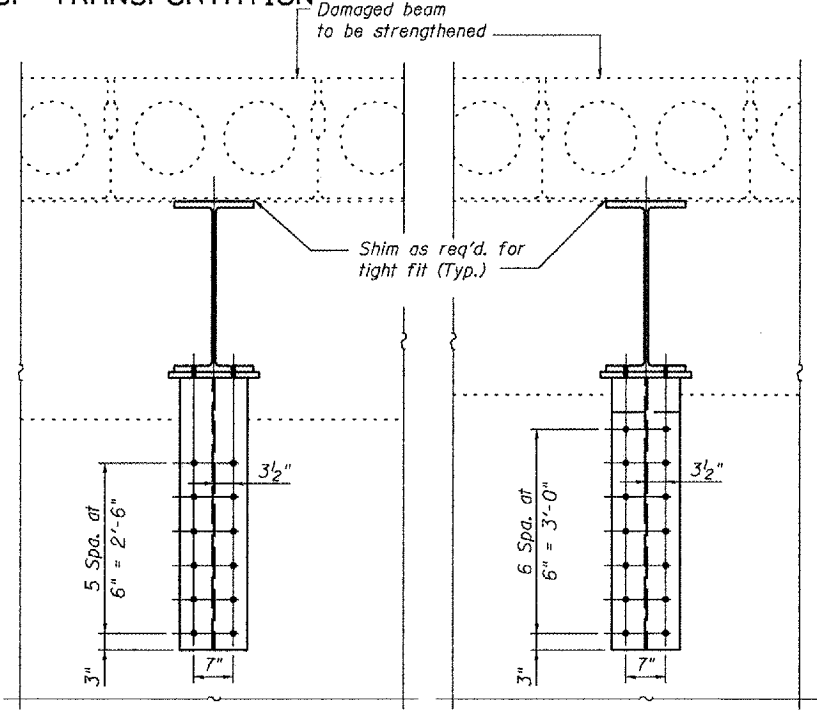
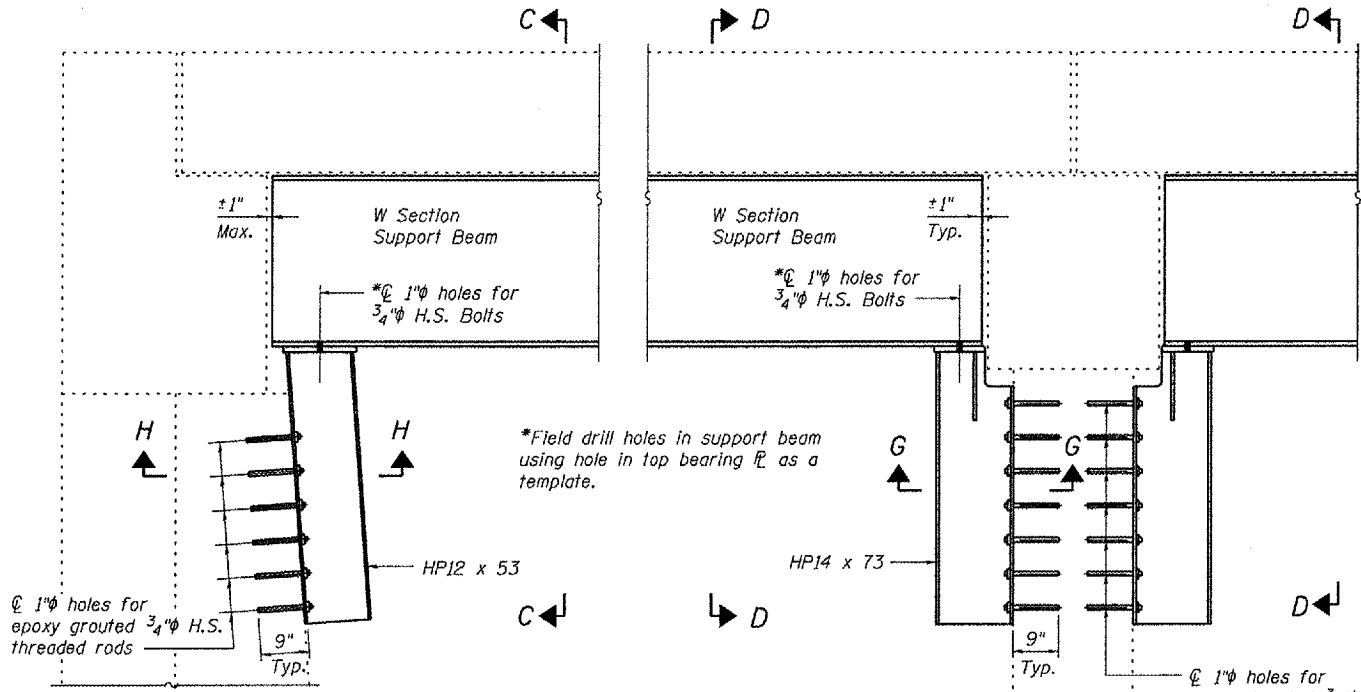


STATE OF ILLINOIS
DEPARTMENT OF TRANSPORTATION

ROUTE NO.	SECTION	COUNTY	SHEETS	POST	SHEET NO. 2 3 SHEETS
FAP 310		Mercer	11	11	
FED. ROAD DIST. NO. 4	ILLINOIS	FED. AID PROJECT-			

Contract # 68466



DESIGNED	CMV
CHECKED	SDS
DRAWN	DLH
CHECKED	CMV

WHKS & CO.

ENGINEERS PLANNERS LAND SURVEYORS

MASON CITY, IOWA DUBUQUE, IOWA AMES, IOWA
E. DUBUQUE, ILLINOIS SPRINGFIELD, ILLINOIS ROCHESTER, MINNESOTA

REPAIR DETAILS
US 67 OVER HENDERSON CREEK
MERCER COUNTY
S.N. 066-0004

Operator: cvollmer Date: 1/3/2008 Filename: L:\Jobs\IDOT BBS\6727 BBS Various Various\6727.09\CADD_Structs\N. 066-0004\N. 066-0004_rev1.dgn