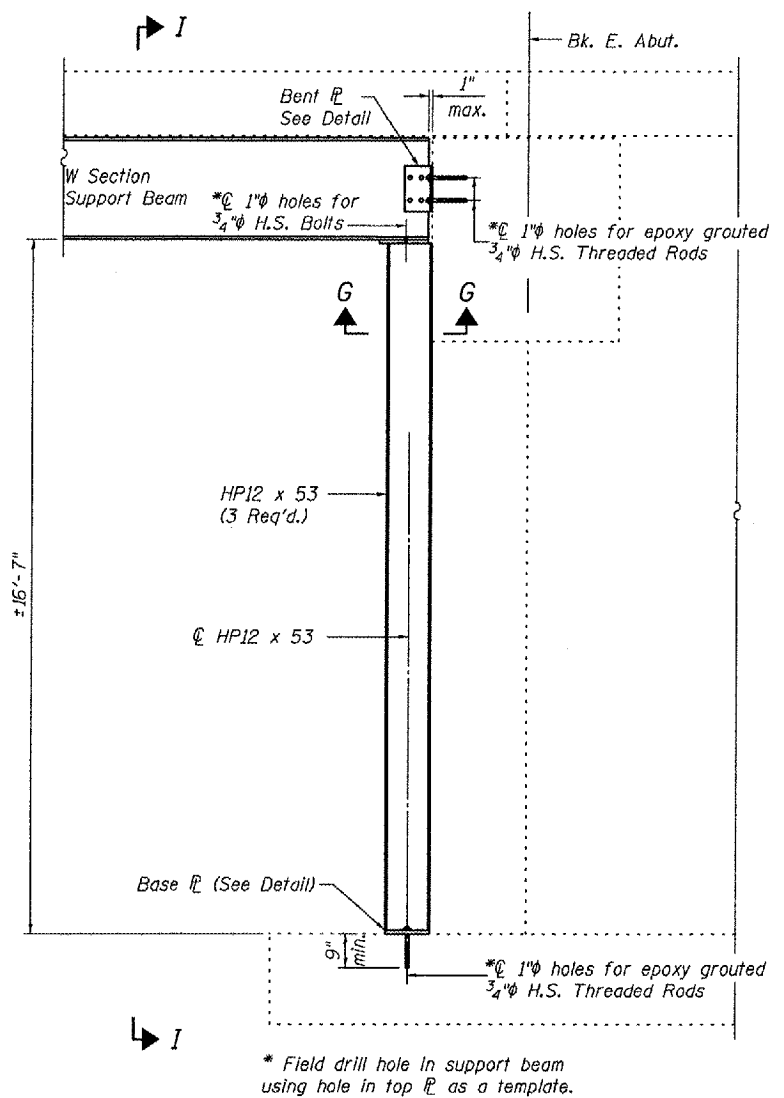


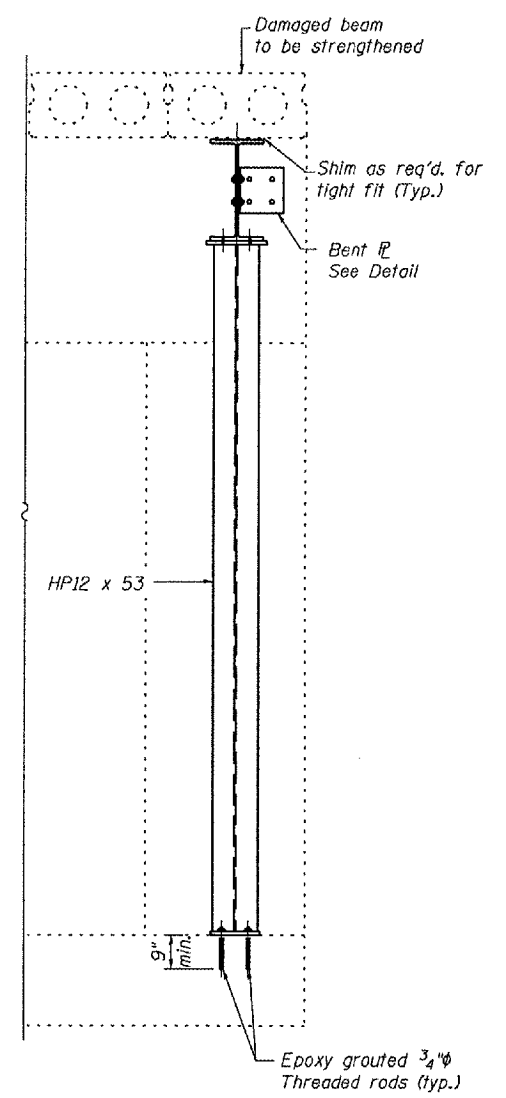
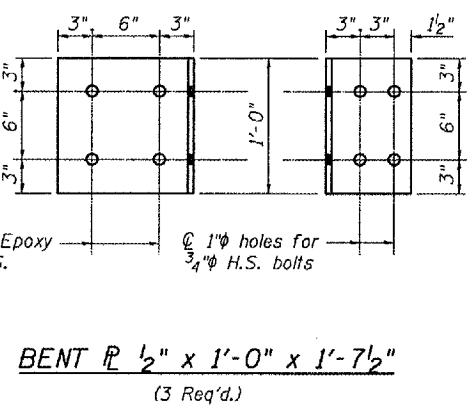
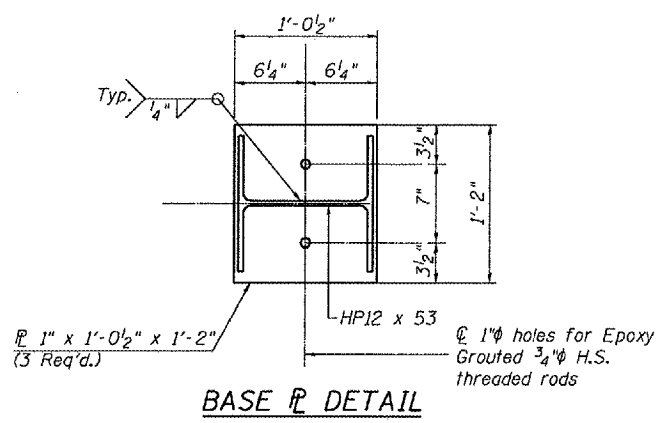
STATE OF ILLINOIS
DEPARTMENT OF TRANSPORTATION

ROUTE NO.	SECTION	COUNTY	SHEET NO.	SHEET	SHEET NO. 3
FAP 310	-	Mercer	11	11A	3 SHEETS
FED. ROAD DIST. NO. 4	ILLINOIS	FED. AID PROJECT	Contract # 68766		

Operator: cvollmer
Date: 1/3/2008
Filename: L:\Jobs\DOT BBS\6727 BBS Various Various\6727.09\CADD_Struct\N. 066-0004\N. 066-0004_rev1.dgn



SECTION H-H
(Fascia Beams Only, Both Abutments)



SECTION I-I

DESIGNED	CMV
CHECKED	SDS
DRAWN	DLH
CHECKED	CMV

WHKS & CO.
ENGINEERS ARCHITECTS PLANNERS LAND SURVEYORS
MASON CITY, IOWA DUBUQUE, IOWA AMES, IOWA
E. DUBUQUE, ILLINOIS SPRINGFIELD, ILLINOIS ROCHESTER, MINNESOTA

REPAIR DETAILS
US 67 OVER HENDERSON CREEK
MERCER COUNTY
S.N. 066-0004