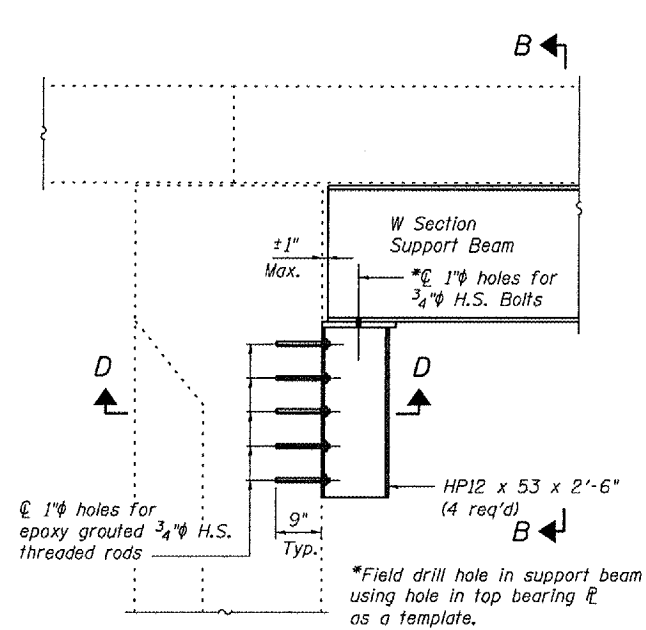


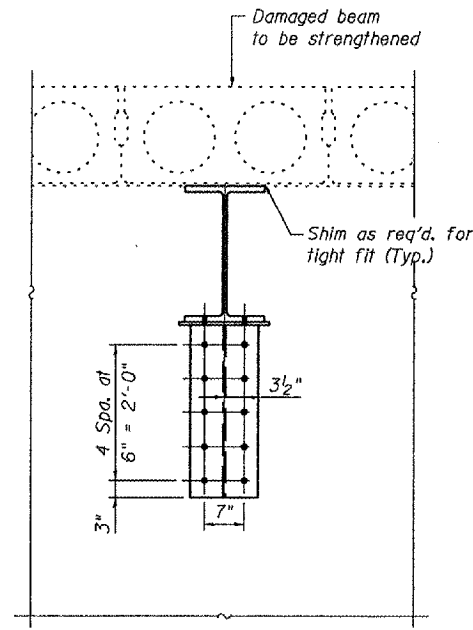
STATE OF ILLINOIS  
DEPARTMENT OF TRANSPORTATION

ROUTE NO.	SECTION	COUNTY	TOTAL SHEETS	SHEET NO.
FAP 626		KNOX	11	2
FED. ROAD DIST. NO. 4		ILLINOIS	FED. AID PROJECT	

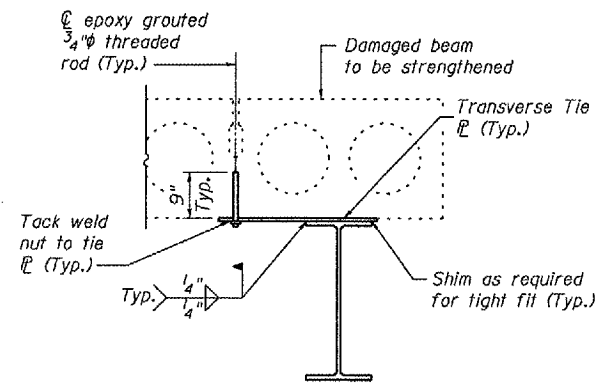
Contract # 68767



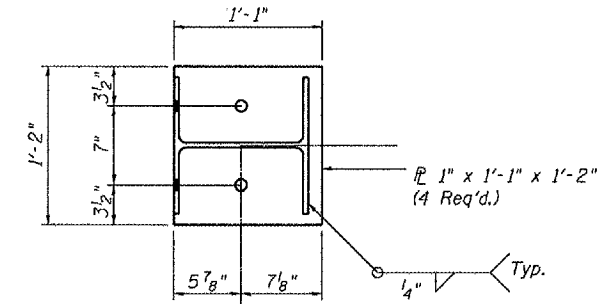
**SECTION A-A**  
(typical at all supports)



**SECTION B-B**  
(typical at all supports)



**SECTION C-C**



**SECTION D-D**

DESIGNED	CMV
CHECKED	SDS
DRAWN	DLH
CHECKED	CMV

**WHKS & CO.**  
ENGINEERS PLANNERS LAND SURVEYORS  
MASON CITY, IOWA DUBUQUE, IOWA JAMES, IOWA  
E. DUBUQUE, ILLINOIS SPRINGFIELD, ILLINOIS ROCHESTER, MINNESOTA

**REPAIR DETAILS**  
**IL RTE 97**  
**OVER HAW CREEK TRIBUTARY**  
**KNOX COUNTY**  
**S.N. 048-0014**

Operator: dheberling

Date: 11/26/2007

Filename: L:\Jobs\DOT BBS\6727 BBS Various Various\6727.09\CADD\_Struct\S.N. 048-0014\I.S.N. 048-0014\_rev 1.dgn