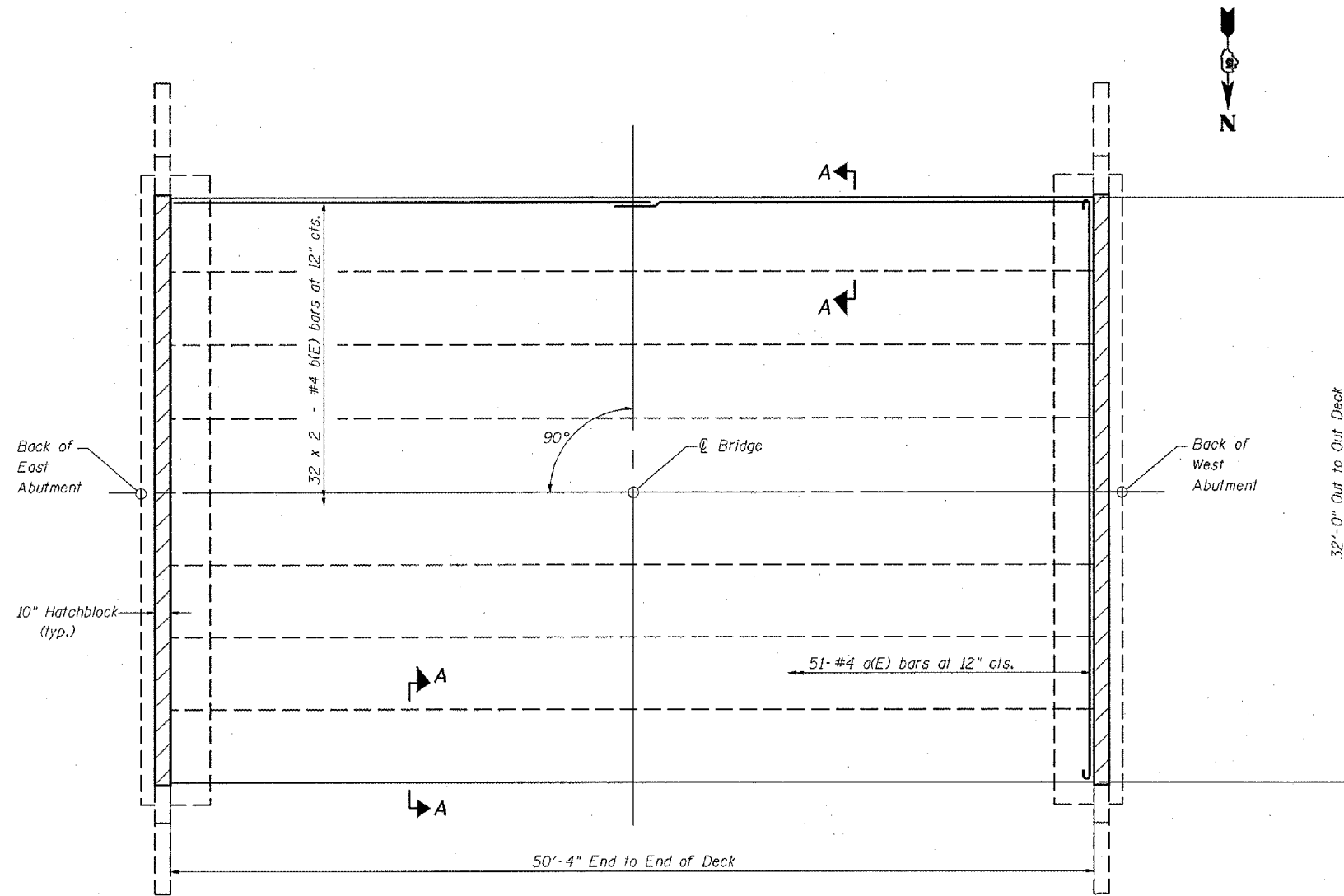


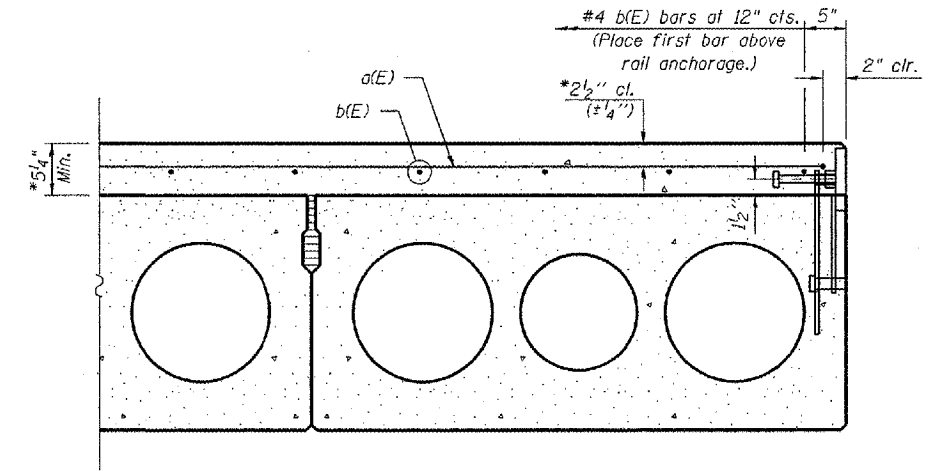
ROUTE NO.	SECTION	COUNTY	SHEETS	SHEET NO.
693	(2)BR- (3)BR	McLean	23	13
FED. ROAD DIST. NO. 7		ILLINOIS	FED. AID PROJECT-	

SHEET NO. 2  
7 SHEETS



**PLAN**

Notes:  
 For remainder of superstructure details, see Sheets 3 and 4 of 7.  
 Hatched area indicates concrete removal as shown on Sheets 6 and 7.  
 Bars indicated thus 32 x 2 - #4 etc. indicates 32 lines of bars with 2 per lengths per line.



**SECTION A-A**

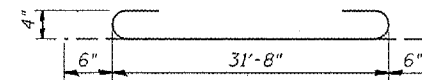
\*Before grinding according to Bridge Smoothness Specifications.

**MIN. BAR LAP**

#4 Bar = 1'-8"

**BILL OF MATERIAL**

Bar	No.	Size	Length (ft)	Shape
a(E)	51	#4	32'-8"	
b(E)	64	#4	25'-10"	
Item	Unit	Qty.		
Reinforcement Bars, Epoxy Coated	Pound	2220		
Concrete Wearing Surface, 5"	Sq. Yd.	179		
Bridge Deck Grooving	Sq. Yd.	174		
Protective Coat	Sq. Yd.	185		
Diamond Grinding (Bridge Section)	Sq. Yd.	265		



**BAR a(E)**

REVISIONS	
NAME	DATE

ILLINOIS DEPARTMENT OF TRANSPORTATION  
**SUPERSTRUCTURE**  
 IL RTE. 9 OVER BRAYS CREEK  
 FAP 693 SECTION (2)BR-(3)BR  
 McLEAN COUNTY  
 STA. 1532+21 STR. NO. 057-0191

SCALE: VERT. \_\_\_\_\_ HORIZ. \_\_\_\_\_  
 DATE: \_\_\_\_\_ DATE \_\_\_\_\_  
 DRAWN BY: RMH  
 CHECKED BY: MJS