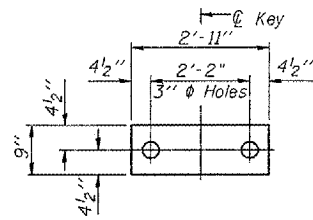
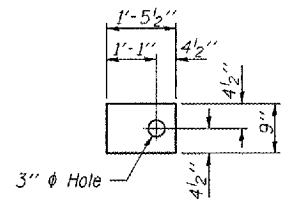


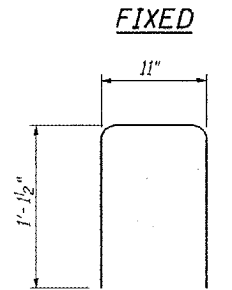
PROJECT NO.	SECTION	COUNTY	SHEET NO.	SHEET NO.
693	(2)BR-3)BR	McLean	23	14
FED. ROAD DIST. NO. 7	ILLINOIS	FED. AID PROJECT		



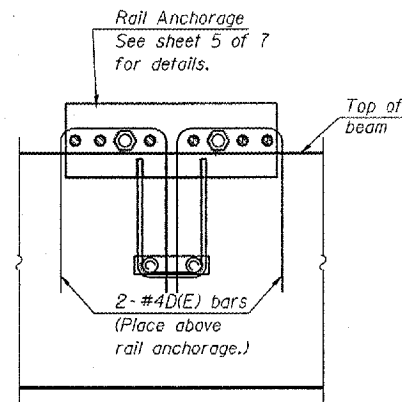
FABRIC BEARING PAD
(Interior)
(14 Required)



FABRIC BEARING PAD
(Exterior)
(4 Required)



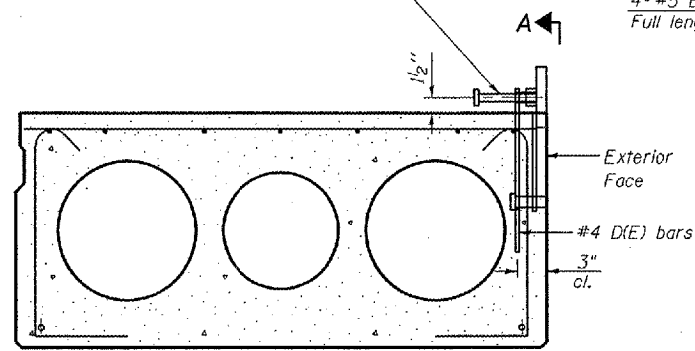
#4 D(E) BAR



SECTION A-A

The rail anchorage shall be cast with the beam and the wearing surface shall be cast in the field. Formwork necessary for the wearing surface may be secured utilizing the bottom rail anchorage inserts and/or additional inserts cast into beam. Drilling into the beam will not be permitted.

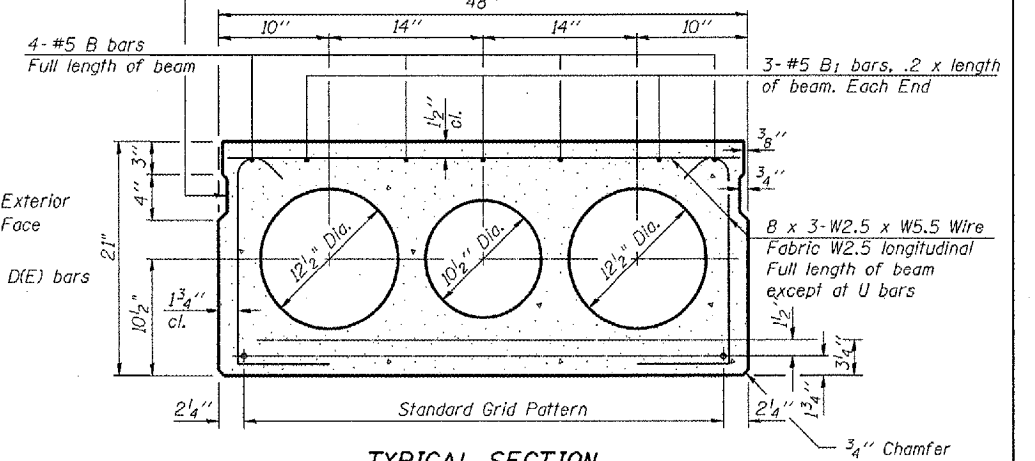
The Contractor shall ensure that neither the Rail Anchorage Device nor the Deck Beam is damaged during transportation.



SECTION THRU EXTERIOR BEAMS

See Typical Section for strand pattern, dimensions and bar locations.

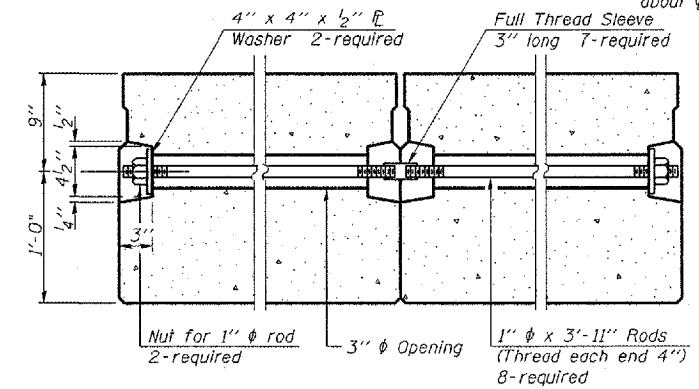
Omit key on exterior face of outside beams.



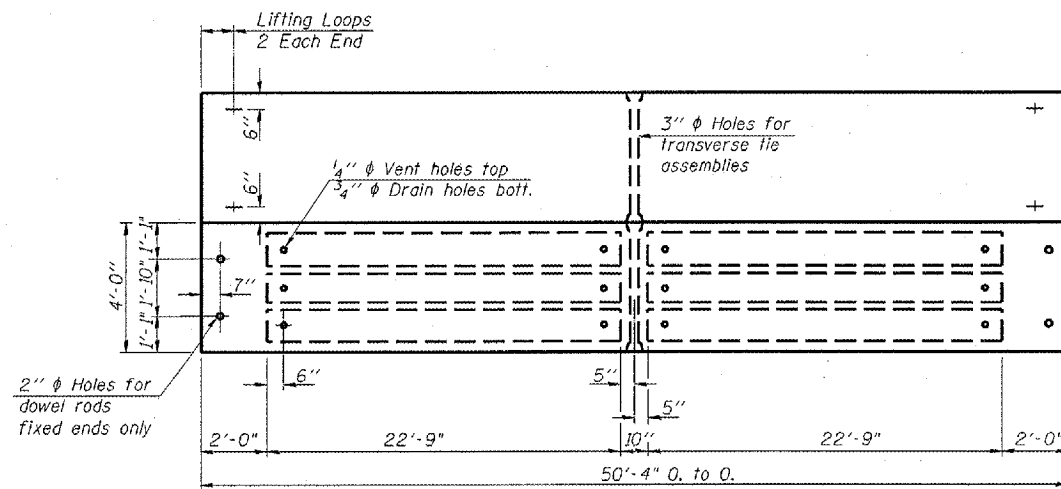
TYPICAL SECTION

20 - 1/2" ϕ Strands, Each Strand Stressed to 30,900 Lbs.
14-Strands 1 3/4" up, 4-Strands 3/4" up, 2-Strands 15" up

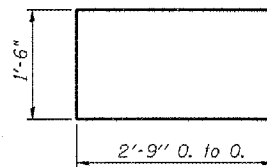
Note:
Place strands symmetrically about ϕ of beam.



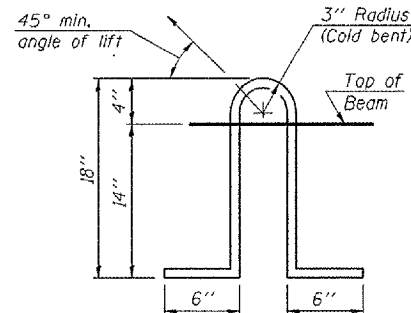
TYPICAL TRANSVERSE TIE ASSEMBLY



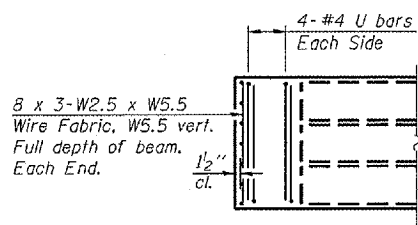
PLAN



BAR U



LIFTING LOOP DETAIL



END PLAN

NOTES

- Prestressing steel shall be uncoated high strength, low relaxation 7-wire strand, Grade 270. The nominal diameter shall be 1/2" and the nominal cross-sectional area shall be 0.153 sq. in. Lifting loops shall be 2 - 1/2" ϕ - 270 ksi strands, as shown.
- The 1" ϕ rods in the transverse tie assembly shall be tightened to a snug fit and the threads set. Pockets that receive transverse tie bar on outside shall be filled with grout after transverse tie assembly is in place.
- Non prestressing steel shall conform to ASTM A 706 (IL MOD), Grade 60.
- The bearing seat surfaces shall be adjusted by shimming to assure firm and even bearing. Two 1/8" fabric adjusting shims of the dimensions of the Exterior Bearing Pad shall be provided for each bearing.
- Keyway surfaces shall be cleaned to remove form oil or other bond breaking material prior to shipment of the beams. Cleaning shall be done by sandblasting the keyway areas between top of the beam and the bottom edge of the key.
- Corrosion Inhibitor, per Article 1020.05(b)(12) of the Standard Specifications, shall be used in the concrete for precast prestressed concrete deck beams.
- Required Release Strength, f'ci, shall be 4,000 p.s.i.

BILL OF MATERIAL

Item	Unit	Quantity
Precast Prestressed Conc. Deck Bms. (21" Depth)	Sq. Ft.	1611

REVISIONS	
NAME	DATE

ILLINOIS DEPARTMENT OF TRANSPORTATION
DECK BEAM DETAILS
IL RTE. 9 OVER BRAYS CREEK
FAP 693 SECTION (2)BR-3)BR
McLEAN COUNTY
STA. 1532+21 STR. NO. 057-0191
SCALE: VERT. HORIZ. DATE #DATE
DRAWN BY RMH
CHECKED BY MJS