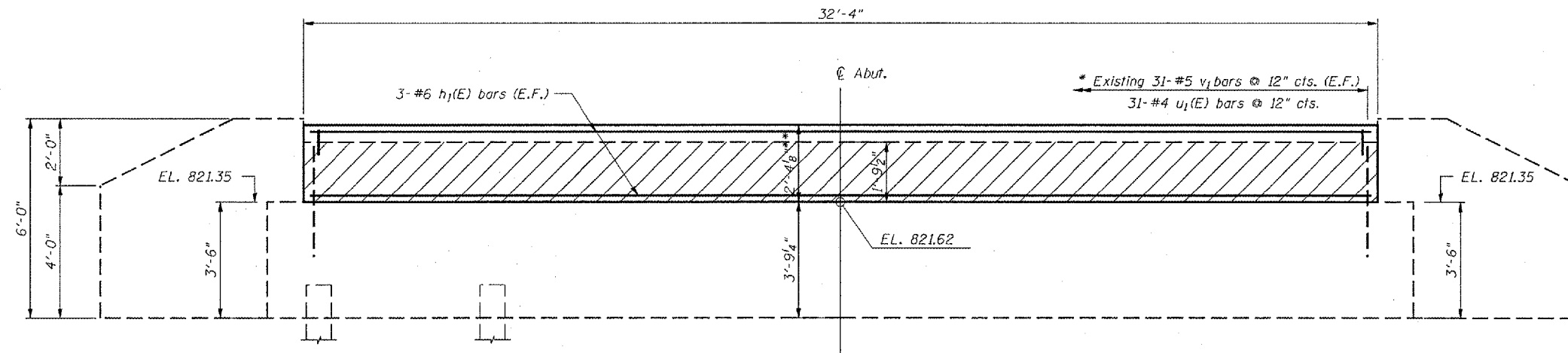
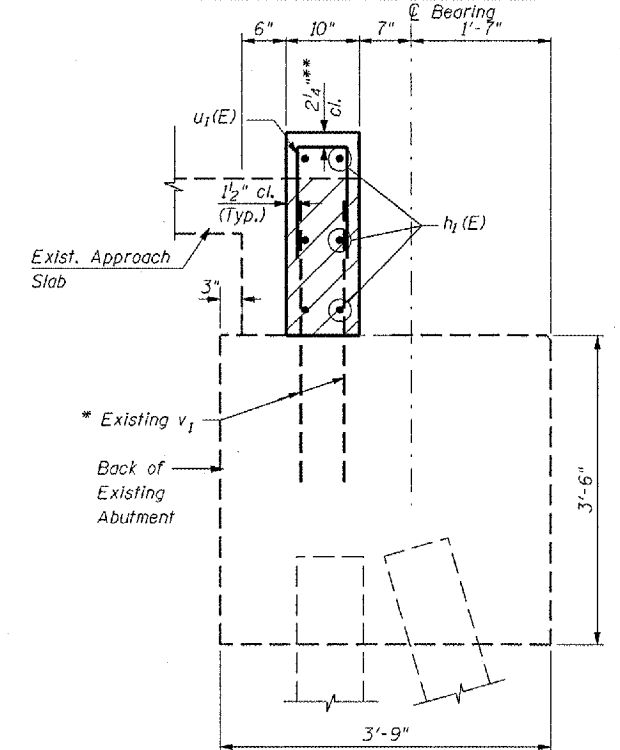


ROUTE NO.	SECTION	COUNTY	SHEETS	SHEET	SHEET NO.
693	(2)BR-3)BR	McLean	23	17	7 SHEETS
FED. ROAD DIST. NO. 7	ILLINOIS	FED. AID PROJECT			

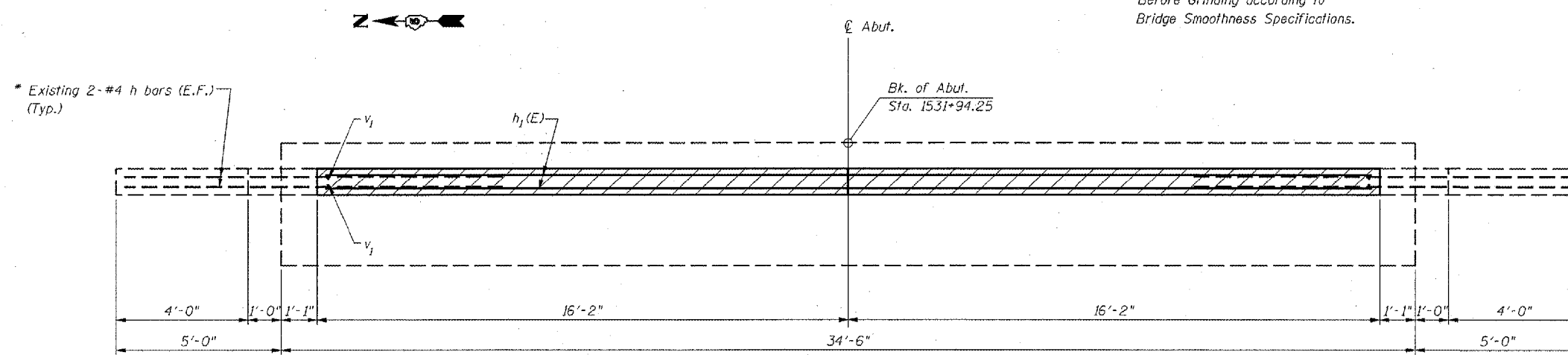


ELEVATION



SECTION THRU ABUTMENT

- * Existing Reinforcement extending into new construction shall be cleaned, straightened and incorporated into the new construction. Cost included with Concrete Removal.
- ** Before Grinding according to Bridge Smoothness Specifications.

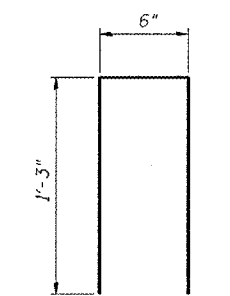


PLAN

- Note:
1. Hatched areas indicate Concrete Removal.
 2. Burn or cut the existing dowel rods flush with existing bearing seat. Grind the existing dowel rods smooth and seal with epoxy. The cost of this work shall be included with "Removal of Existing Superstructures"

BILL OF MATERIAL

Bar	No.	Size	Length	Shape
h ₁ (E)	6	#6	32'-0"	—
u ₁ (E)	31	#4	3'-0"	—
Concrete Removal			Cu. Yd.	1.8
Concrete Superstructure			Cu. Yd.	2.3
Reinforcement Bars, Epoxy Coated			Pound	350



BAR u₁ (E)

REVISIONS	
NAME	DATE

ILLINOIS DEPARTMENT OF TRANSPORTATION
EAST ABUTMENT
 IL RTE. 9 OVER BRAYS CREEK
 FAP 693 SECTION (2)BR-3)BR
 McLEAN COUNTY
 STA. 1532+21 STR. NO. 057-0191

VERT. SCALE: DRAWN BY RMH
 HORIZ. SCALE: CHECKED BY MJS
 DATE #DATE

TUG PROJ. # 4900004
 PROJECT # 057-0191
 FILE NAME # 4900004.DWG