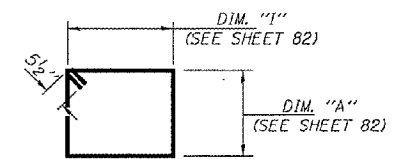
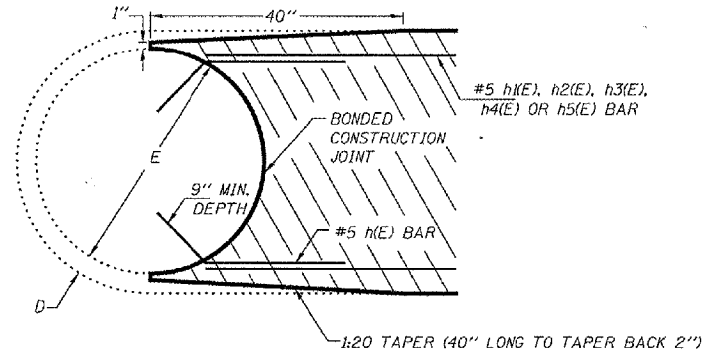


**BAR s(E)**

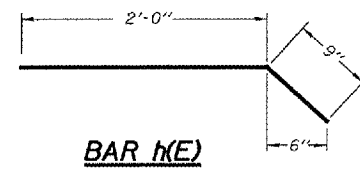


**BARS**  
**s1(E), s2(E), s3(E),**  
**s4(E), s5(E), s6(E),**  
**s7(E), s9(E) OR s10(E)**



**SECTION A-A**

**SEE SHEET #82 FOR BILL OF MATERIALS**



**BAR h(E)**

**GENERAL NOTES**

PLAN DIMENSIONS AND DETAILS RELATIVE TO EXISTING PLANS ARE SUBJECT TO ROUTINE VARIATIONS. THE CONTRACTOR SHALL FIELD VERIFY EXISTING DIMENSIONS AND DETAILS AFFECTING NEW CONSTRUCTION AND MAKE NECESSARY APPROVED ADJUSTMENTS PRIOR TO CONSTRUCTION OR ORDERING OF MATERIALS. SUCH VARIATIONS SHALL NOT BE CAUSE FOR ADDITIONAL COMPENSATION FOR A CHANGE IN SCOPE OF THE WORK, HOWEVER, THE CONTRACTOR WILL BE PAID FOR THE QUANTITY ACTUALLY FURNISHED BASED UPON THE UNIT PRICE BID FOR THE WORK.

THIS WORK WILL BE PAID FOR AT THE CONTRACT UNIT PRICE PER CUBIC YARD FOR CONCRETE STRUCTURES.

THE COST OF EPOXY GROUTING THREADED RODS SHALL BE INCLUDED WITH REINFORCEMENT BARS (EPOXY COATED).

REINFORCEMENT BARS SHALL CONFORM TO THE REQUIREMENTS OF ASTM A706 OR 6011L MODIFIED).

REINFORCEMENT BARS DESIGNATED (E) SHALL BE EPOXY COATED.

\* EPOXY GROUT BARS IN 9" MIN. HOLES ACCORDING TO ARTICLE 584 OF THE STANDARD SPECIFICATIONS.

FILE NAME =	USER NAME = #USER#	DESIGNED -	REVISED -	<b>STATE OF ILLINOIS DEPARTMENT OF TRANSPORTATION</b>	<b>TAPERED CRASHWALL EXTENSION (TWO CIRCULAR COLUMN PIER)</b>			F.A.I. RTE.	SECTION	COUNTY	TOTAL SHEETS	SHEET NO.
#FILEL#	PLOT SCALE = #SCALE#	DRAWN -	REVISED -					74	FY08HSIP	**	172	81
	PLOT DATE = #DATE#	CHECKED -	REVISED -		CONTRACT NO. 70643			FED. ROAD DIST. NO. ILLINOIS FED. AID PROJECT				
		DATE -	REVISED -		SCALE:	SHEET NO. OF	SHEETS	STA.	TO STA.			

\*\* CHAMPAIGN & VERMILION