

95 90 85 80 75 70 65 60 55 50 45 40 35 30 25 20 15 10 5 0 5 10 15 20

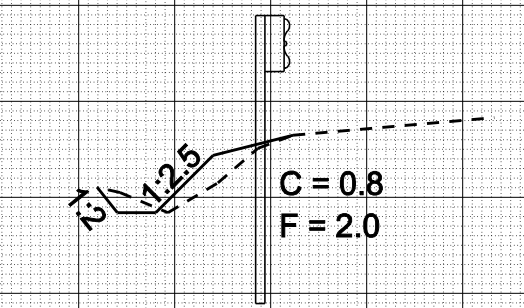
DATE	
BY	
FINAL SURVEY	SURVEYED
NOTE BOOK NO.	PLOTTED
	TEMPLATE
	AREAS CHECKED

650

650

645

645



S.N. 092-0011

1895 + 93.50

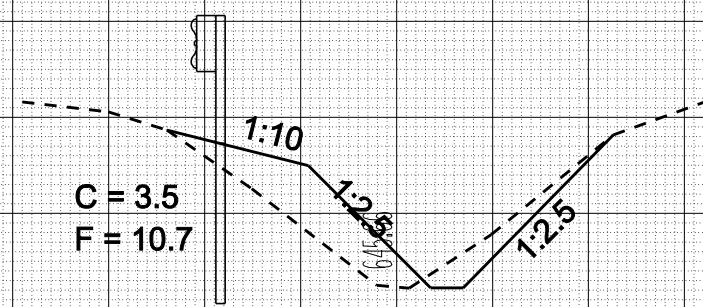
650

650

645

645

S.N. 092-0011



1895 + 43.50

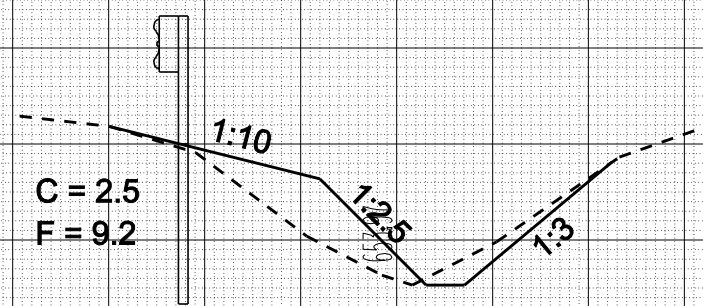
660

660

655

655

S.N. 092-0009



1885 + 93.50

95 90 85 80 75 70 65 60 55 50 45 40 35 30 25 20 15 10 5 0 5 10 15 20

DATE	
BY	
ORIGINAL SURVEY	SURVEYED
NOTE BOOK NO.	PLOTTED
	TEMPLATE
	AREAS CHECKED

FILE NAME = c:\projects\d501407 (vB)\70643_guardrail_xs_left.dgn

USER NAME = collier-bw
PLOT SCALE = 10.0000 "/ IN.
PLOT DATE = 12/20/2007

DESIGNED -
DRAWN -
CHECKED -
DATE -

REVISED -
REVISED -
REVISED -
REVISED -

**STATE OF ILLINOIS
DEPARTMENT OF TRANSPORTATION**

WIDENING FOR TYPE 1 TERMINALS (WB)

SCALE: SHEET NO. OF SHEETS STA. 1885+93.50 TO STA. 1895+43.50

F.A.I. RTE.	SECTION	COUNTY	TOTAL SHEETS	SHEET NO.
74	FY08HSIP	**	172	101
FED. ROAD DIST. NO. ILLINOIS FED. AID PROJECT			CONTRACT NO. 70643	

** CHAMPAIGN & VERMILION